

ATEX LED HT-650 ZONE 0 HEADTORCH



WITHOUT COMPROMISE

PRODUCT INFORMATION

The ATEX LED HT-650 Zone 0 Headtorch is the ideal high light output and long duration headtorch for hands free lighting, particularly where access is difficult, requiring climbing or crawling. The HT-650 is CE marked to the ATEX directive and IECEx certified for safe use in Zones 0, 1 and 2 potentially explosive gas and Zones 20, 21 and 22 dust atmospheres.

'Fitted for life' high power LED light source

Adjustable, removable fabric head band



LIGHT OUTPUT/DURATION/POWER

- Fitted for life LED light sources with 25,000+ hrs life
- Up to 130lm (at source)
- Up to 17 hrs Battery Duration

CERTIFICATION

- ATEX & IECEx Directive explosive gas, vapour, mist and dust certified for zones 0, 1, 2, 20, 21 and 22
- T3/T4 temperature class (battery dependant, see instructions)
- 155°C maximum surface temperature
- IP67 ingress protection
- IIC Gas and IIIB Dust Approval
- Group I M1 Mining Approval

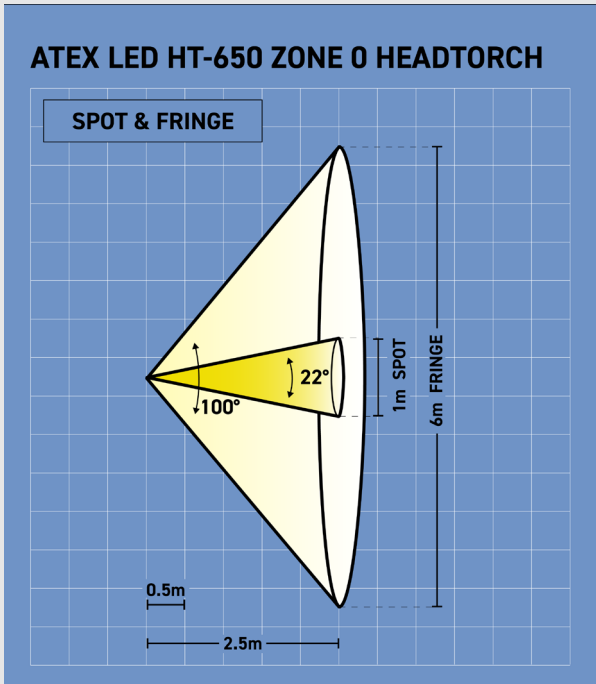
FEATURES

- Wide angle flood for optimum workspace illumination
- Lightweight, ergonomic design
- Single handed switching
- Hands free operation
- IP67 water and dust tight
- Also supplied with washable inert silicone rubber strap and helmet clips for hard hat use.
- Tilt adjustment for light direction



TECHNICAL INFORMATION

LIGHT OUTPUT DIAGRAM

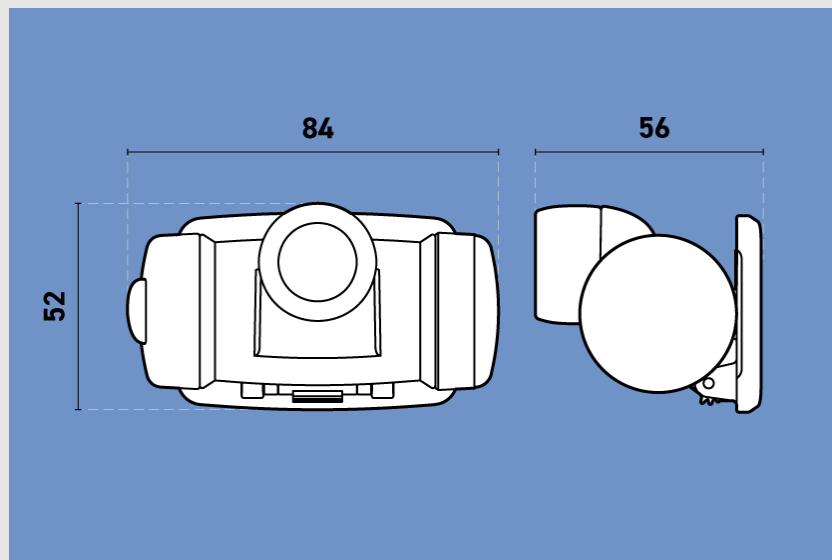


High Power LED spot beam (approx 22°)
Peak luminous intensity at 1m 493 lux, at 2.5m 67 lux

Extra wide angle fringe beam (approx 100°)
Peak luminous intensity at 1m 32 lux, at 2.5m 8 lux

PRODUCT DIMENSIONS

ATEX LED HT-650 ZONE 0 HEADTORCH



MEASUREMENT MM



TECHNICAL INFORMATION

ATEX LED HT-650 ZONE 0 HEADTORCH

PRODUCT REFERENCE		HT-650
PRODUCT DESCRIPTION		ATEX LED HT-650 Headtorch Zone 0
CODE:	INDUSTRIAL	I M1/II 1GD Ex ia op is I Ma/IIC T4/T3 Ga IP67 Ex ia op is IIIB T155°C Da
	MINING	I M1 Ex ia op is I Ma IP67
TYPE OF PROTECTION		"ia" intrinsic safety, 'op is' Optical Radiation
AREA OF CLASSIFICATION (GAS)		Zones 0,1 and 2 - Gas groups IIA, IIB, IIC
TEMP. CLASSIFICATION (GAS)		T4/T3
AREA OF CLASSIFICATION (DUST)		Zones 20,21 and 22 Dust Groups IIIA, IIIB
MAX. SURFACE TEMPERATURE (DUST)		155°C
CERTIFICATE		Baseefa 10ATEX0067X IECEx BAS 10.0023X
ENCLOSURE		High Impact Thermoplastic, Chemical Resistant
LENS		Shatterproof Polycarbonate
BEAM TYPE		Broad Spot with Wide Angle Flood Light
LIGHT SOURCE:	TYPE	High Power LED
	OUTPUT	Up to 130 lm
	LIFE	25,000+ hours (fitted for life)
POWER SOURCE:	PART NUMBER	3 x HT-210 (LR6 Cells)
	TYPE	LR6 primary cells, to IEC 60086, Alkaline AA
	VOLTS	3 x 1.5V
LIGHT DURATION		Up to 17 hours
INGRESS PROTECTION		IP67
WEIGHT (INC. CELLS)		0.180Kg
NATO CODIFIED VERSION		HT-650MOD - NATO Stock No: 6230-99-2262040

All information has been gathered under laboratory conditions, the user must regard the values given as approximate. Changes may be made to the above specification without notification, details are available on request.

*HT-650MOD only available for MOD customers. Refer to HT-650 technical spec.



Wolf Safety Lamp Company
Saxon Road Works, Sheffield S8 0YA, UK

T: +44 (0) 114 255 1051
E: info@wolfsafety.com

