



DDA G (Rev. 30-08-2023)



+44 (0)1244 833 933



info@popupproducts.co.uk



popupproducts.co.uk



ASSEMBLY GUIDE

FOR DELTADECK®

CONTENTS

CONTENTS	1
INTRODUCTION	2
KNOW YOUR DELTADECK	3
KNOW YOUR DELTADECK'S COMPONENTS	4
KNOW YOUR DELTADECK'S HEIGHTS	6
SAFETY DOS AND DON'TS - ALWAYS	7
SAFETY DOS AND DON'TS - NEVER	8
BEFORE YOU START	9
DELTADECK - ASSEMBLY	10
DELTADECK - DISASSEMBLY	11

INTRODUCTION

The **DELTADECK** is a Low Level Access Platform capable of platform heights ranging from 460mm up to 870mm from the ground. It also features a four sided guardrail for the protection of the user.

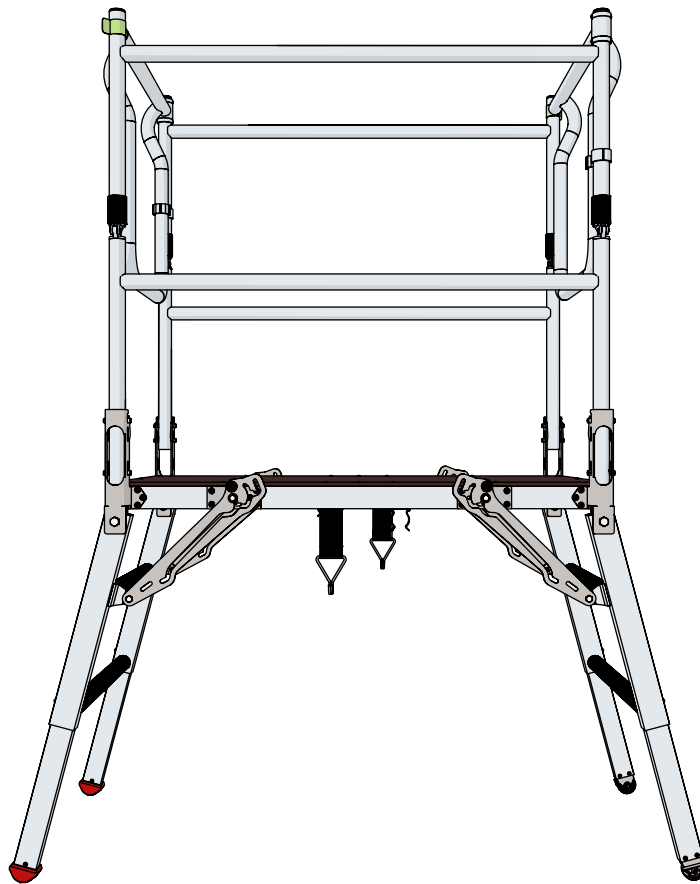
The whole unit can be folded into a compact, easily transportable package, with a total unit weight of 26.8kg and overall dimensions of 310mm x 760mm x 1120mm.

Please ensure you read and fully understand this guide before assembly or disassembly of the **DELTADECK**. As with any other work equipment the **DELTADECK** and this guide should always be used in conjunction with a suitable risk assessment and method statement (by user) relative to the project to be undertaken.

This assembly guide has been compiled in accordance with BS EN 1298 and the **DELTADECK** is manufactured in accordance with ISO 9001 : 2015.

This assembly guide must be made available to the user / assembler at all times and can be downloaded as a pdf from the POP UP Products website, resources page:

www.popupproducts.co.uk/resources

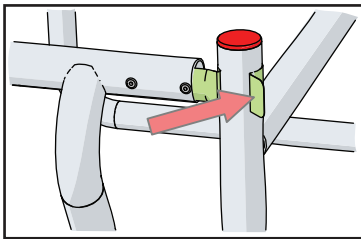




PARTS LISTING

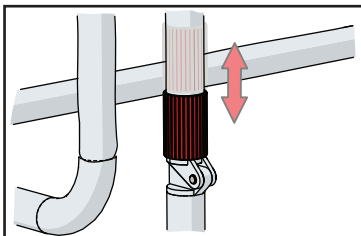
1	GATE CATCHES	7	ADJUSTABLE LEGS
2	GATES	8	LOCKING CASTORS
3	SIDE GUARDRAIL LOCKING DEVICES	9	SIDE GUARDRAILS
4	SIDE GUARDRAIL BRACKETS	10	LEG ASSEMBLIES
5	TRANSPORT STRAPS	11	LEG RETAINING CLIPS
6	LEG ADJUSTMENT LEVERS		

KNOW YOUR DELTAD ECK® COMPONENTS



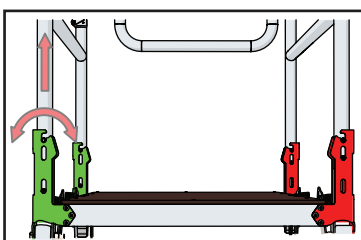
GATE CATCH

The gate catch is a steel spring clip that can be released by pushing on the tab indicated by the arrow. To close the gate simply pull the gate and ensure the catch springs over the side guardrail vertical tube gripping it fully.



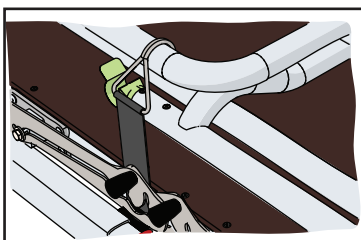
SIDE GUARDRAIL LOCKING DEVICE

The side guardrail locking device is a gravity operated locking collar used to lock the side guardrail folding hinge in the upright position. Simply allow the collar to drop over the hinge when assembling the unit and slide the collar up to release the hinge when disassembling the unit.



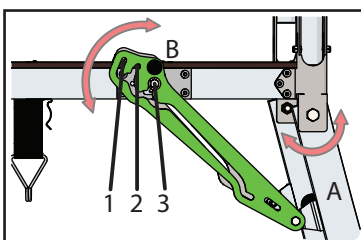
SIDE GUARDRAIL BRACKETS

The side guardrail brackets allow the side guardrails to fold and serve as a locking device for the lower portion of the side guardrail. The wide slotted bracket is the side highlighted in green and the narrow slotted bracket highlighted in red. On assembly the green bracket is opened last and on disassembly closed first. The side guardrail must be lifted and rotated simultaneously as shown, during both assembly and disassembly.



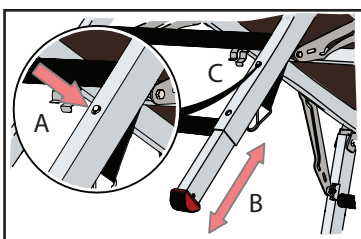
TRANSPORT STRAP

The transport strap holds the folded side guardrail assemblies in place for when the unit is being transported or stored. Pull the elasticated transport strap until the metal hook is clear of the guardrail and then either let it drop over the guardrail for transportation or remove the hook from the guardrail and release the tension if assembling the unit.



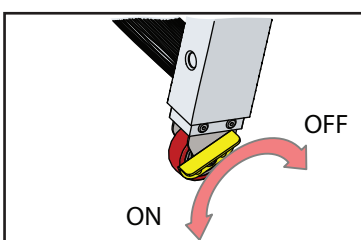
LEG ADJUSTMENT LEVER

The lever (Highlighted in green) allows rotation of the leg assembly (A) and once locked off in either of the positions (1,2 or 3), it provides height changes to the unit. Release the leg adjustment lever using the handle (B) and rotate the leg assembly (A) either way until the lever engages in either position 1,2 or 3.



ADJUSTABLE LEG

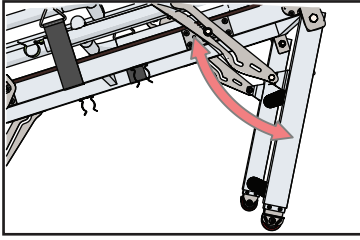
The adjustable leg allows further height changes to be made and can be extended or retracted by simply pushing in the spring locating pin (A) and either extending or retracting the adjustable leg (B) until the spring pin locates into one of the three locating holes in the outer leg assembly (C).



LOCKING CASTOR

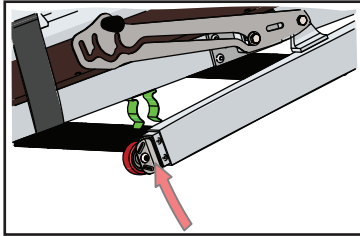
The castors allow the unit to be moved smoothly between workplaces. They must be locked off when the unit is in use and unlocked to allow the unit to be moved. The foot pedal (Highlighted in yellow) can be rotated using your foot, to lock or release the brake.

KNOW YOUR DELTADeck® COMPONENTS Cont.....



LEG ASSEMBLY

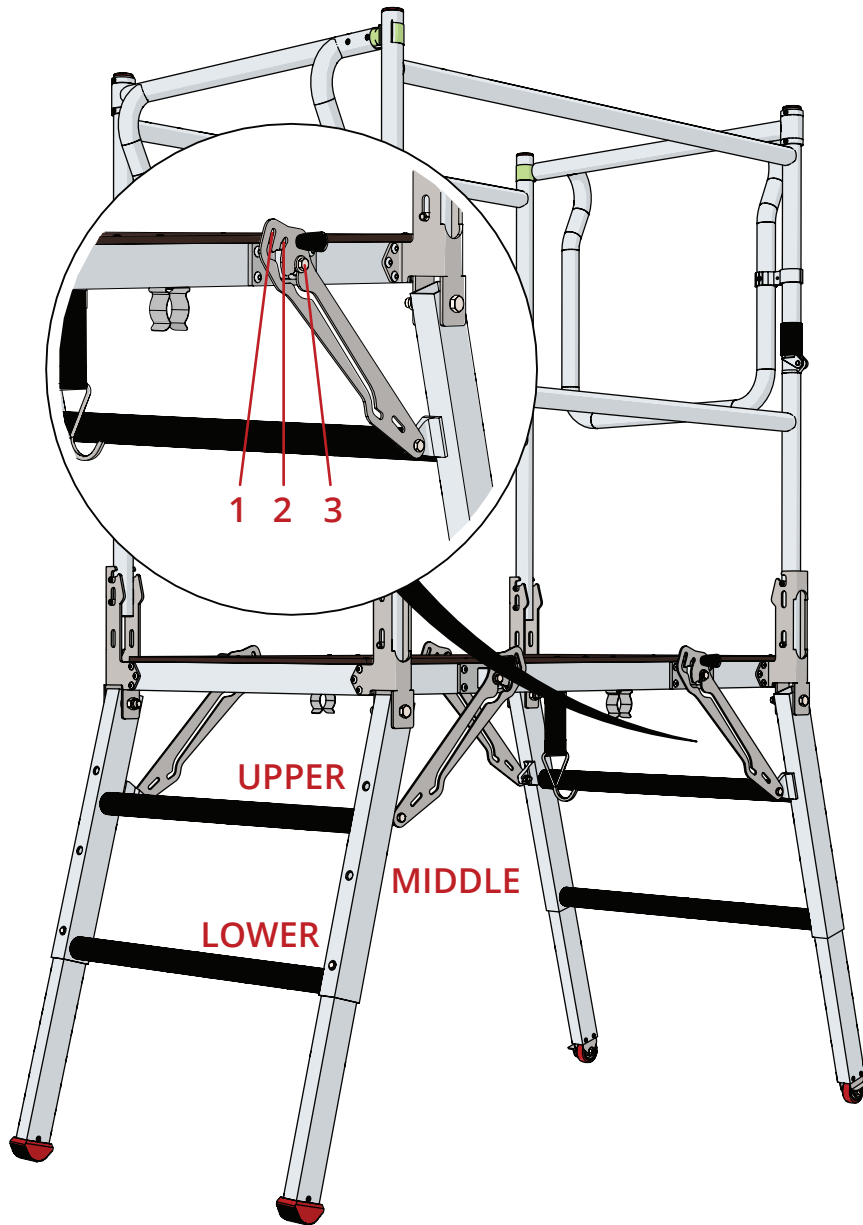
The leg assembly holds the adjustable legs in place and also adjusts the height of the unit by using the leg adjustment levers. When not in use the leg assembly is packed under the platform and held in this position by the leg retaining clips.



LEG RETAINING CLIP

The leg retaining clip is a spring clip that simply grips the lower rung of the leg assembly and holds this leg assembly in place during storage or transport. To release the leg assembly, simply pull it until the assembly is released from the clip or push the leg assembly against the clip, until it grips the lower rung, to put the leg assembly in the transport position.

KNOW YOUR DELTADeck® HEIGHTS



HEIGHT TABLE

	LEVER POS 1 (mm)	LEVER POS 2 (mm)	LEVER POS 3 (mm)
LEG UPPER PIN	460	530	590
LEG MIDDLE PIN	560	650	730
LEG LOWER PIN	660	770	870

SAFETY DOS AND DON'TS - ALWAYS

- ALWAYS** Read and understand this guide before you begin assembly.
- ALWAYS** Ensure that all safety requirements are met and that DELTADECK is the correct access solution for the task you wish to perform.
- ALWAYS** Ensure that DELTADECK is assembled and dismantled by a qualified, competent person.
- ALWAYS** Cordon off the work area creating a zone with a radius that is 1m greater than the total height of DELTADECK.
- ALWAYS** Wear the correct Personal Protective Equipment for the task being performed. Gloves, steel toecap boots, a hard hat and suitable clothing must be worn by all persons.
- ALWAYS** Tie back long hair and remove items of loose jewellery.
- ALWAYS** Perform a full risk assessment prior to assembling or using DELTADECK and abide by your findings.
- ALWAYS** Prevent access to unauthorised persons if you have no other option but to leave DELTADECK unattended and if this is not possible then DELTADECK must be dismantled.
- ALWAYS** Carry tools and materials safely retained in a tool belt that allows freedom of movement.
- ALWAYS** Access the platform using three points of contact at all times. Ensure the gate is closed behind you.
- ALWAYS** Erect DELTADECK on smooth level ground that is capable of supporting its own weight, the user and any tools or materials without subsidence.

SAFETY DOS AND DON'TS - NEVER

- NEVER** Use DELTADECK if you don't understand something in this guide; please contact the supplier for advice.
- NEVER** Assemble, use, move or dismantle DELTADECK if you are tired or unwell or if you are under the influence of alcohol or drugs.
- NEVER** Use DELTADECK in adverse weather conditions which may endanger the user.
- NEVER** Use in wind conditions of Beaufort Force 5 and above. Please be aware of the tunnel effect caused by buildings close to each other.
- NEVER** Assemble or use DELTADECK near overhead hazards such as power lines that are within reach of DELTADECK or the user.
- NEVER** Ascend or descend your DELTADECK if both hands are not free.
- NEVER** Add banners, notice boards, etc. to DELTADECK.
- NEVER** Use DELTADECK if contaminated by paint, chemicals, etc.
- NEVER** Overload the platforms (see page 8).
- NEVER** Lean from DELTADECK and never apply undue side force.
- NEVER** Stand on the guardrails, toe boards, boxes (or similar) to gain extra height. If the working height is insufficient either adjust DELTADECK to the required height or use an alternative method.
- NEVER** Use your DELTADECK if it has damaged components / parts.

BEFORE YOU START

PREPARATION

The floor area must be clear of any obstructions, including materials and debris.

Check also each component for condition and correct function. If any part is missing or damaged/not working correctly it must be replaced before assembling.

ASSEMBLY GUIDE

These instructions must always be made available to the user. If replacement copies are required, please contact your supplier.

DAMAGED COMPONENTS

Regularly inspect all components for damage. Damaged components must be quarantined so that they cannot be used. Where safe to do so, the component can be repaired but only by a qualified repairer. If in doubt contact your supplier for advice.

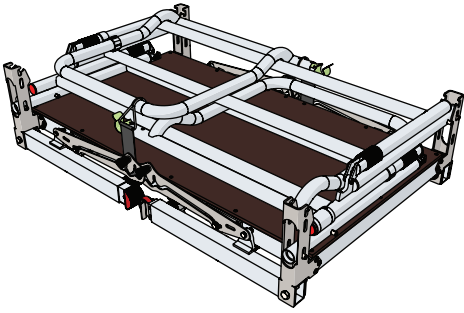
DISMANTLING YOUR DELTADECK

DELTADECK is easily dismantled by simply reversing the assembly procedure.

SAFE WORKING LOAD (SWL)

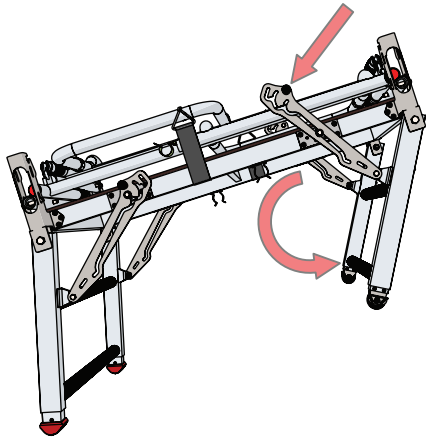
The **SWL of DELTADECK[®] is 200kg**, this includes the weight of the user plus tools and materials. The SWL must not be exceeded.

DELTADECK® - ASSEMBLY



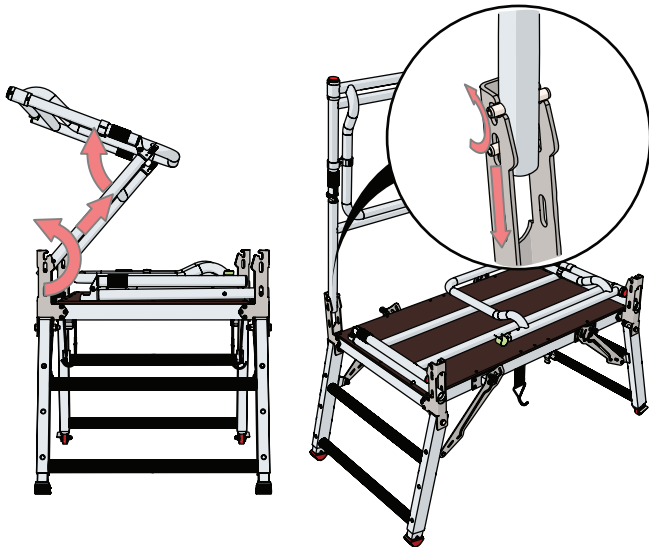
STEP 1

Place the unit on the floor and leave the transport straps in place.



STEP 2

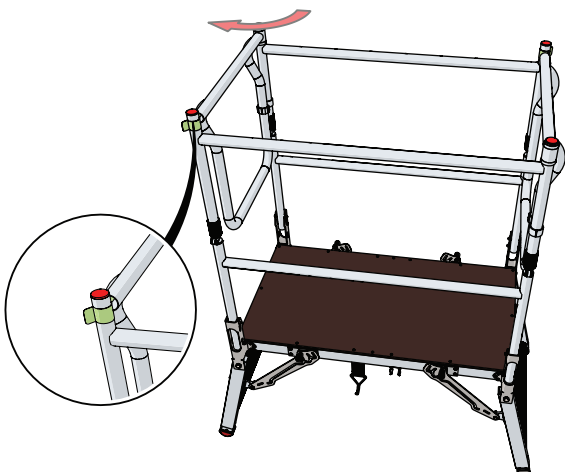
Lift one end of the platform and simultaneously pull the leg assembly out, until the legs automatically lock in place. Repeat the operation on the opposite side of the unit, ensuring all four locking mechanisms are set at the same height.



STEP 3

Undo the transport straps and lift one side guardrail section. Rotate top section of the side guardrail through 180 degrees to allow both sections of the side guardrail to be locked together using the side guardrail locking device.

Double check that locking positions at base of the side guardrail are firmly secured. Repeat the above process for the opposite side guardrail.

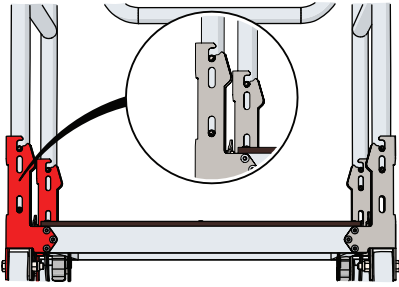


STEP 4

Close both gates, ensuring the gate catches are engaged correctly and secure around the side guardrail vertical tubes. If required, adjust the height of the unit using the adjustable legs and / or the leg adjustment lever (See Pg.4 for details). Once the unit is at the correct height, position it in the work area and lock off the castors (See pg.4 for details).

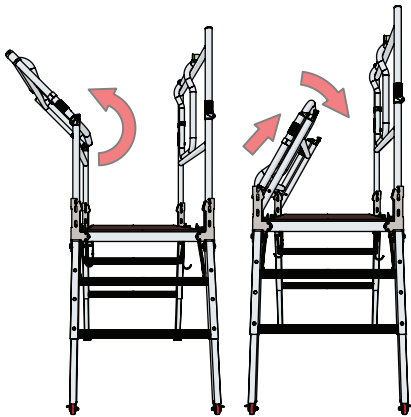
Open one gate, climb the rungs of the leg assembly, having 3 points of contact at all times. Always keep your bodies centre of gravity towards the platform. Once access has been gained, close the gate behind you, ensuring the gate catch is secure.

DELTADECK® - DISASSEMBLY



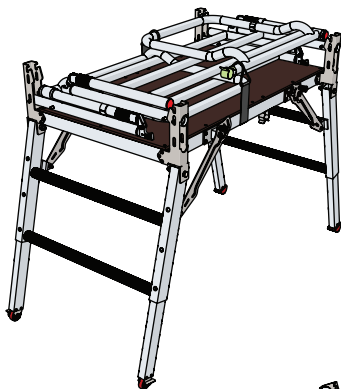
STEP 1

Identify the first side guardrail to collapse by looking for the side guardrail with the pin located in the lowest slot as shown here.



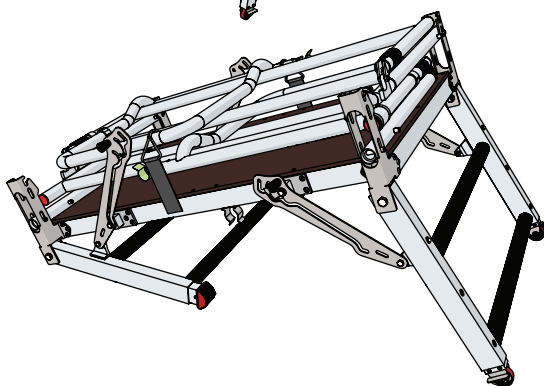
STEP 2

Open both gates and rotate top half of side guardrail through 180 degrees (reversal of assembly procedure). Disengage base of side guardrail and lay side guardrail unit onto platform. Repeat for the opposite side guardrail.



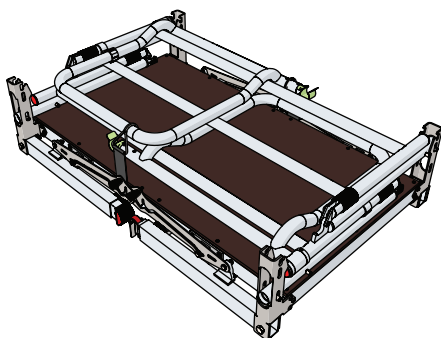
STEP 3

Attach the transport straps.



STEP 4

Retract all adjustable legs to their minimum adjustment. Pull leg adjustment levers on one end of the unit and fold the leg assembly under the platform. Repeat for the opposite adjustable legs / leg assembly.



STEP 5

Ensure leg assemblies are located in the leg retaining clips. The DELTADECK® has now been dismantled.

DELTADECK[®]



popupproducts.co.uk

+44 (0)1244 833 933

info@popupproducts.co.uk