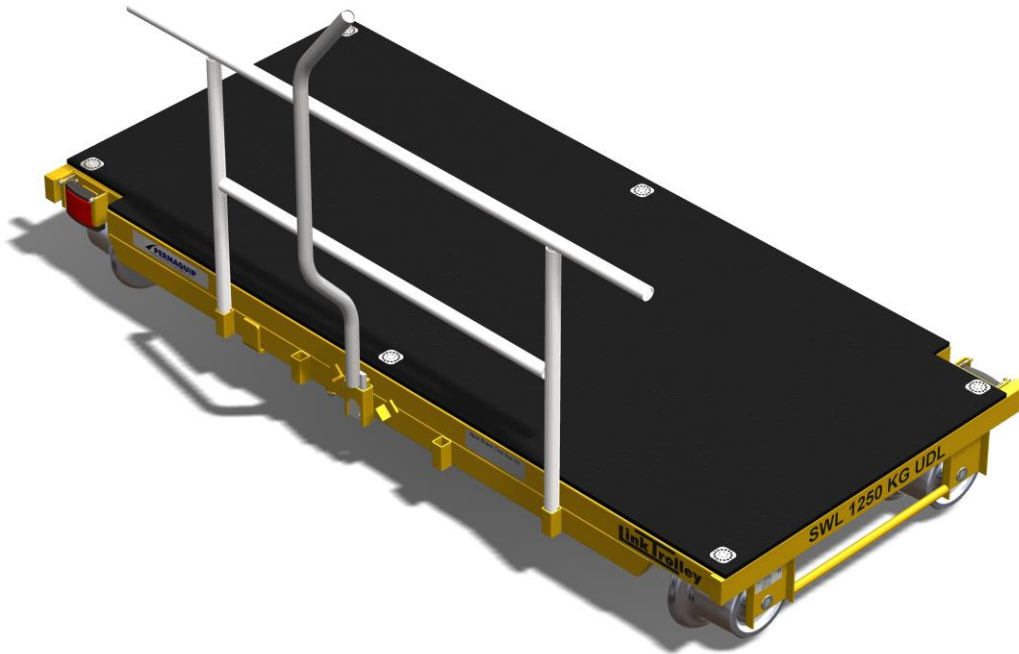




## Link Trolley *Technical Specification*



### **Description:**

The Permaquip™ Link Trolley is designed to be used as a manual propelled, stand-alone load-bearing rolling platform for use on-track. Up to three Link Trolleys can be connected together.

Each Link Trolley is equipped with a fail-safe braking system and is supplied with detachable brake and push handles.

The design is available with multiple additional options including standard or electrically insulated wheels, aluminium or wooden deck, trolley mesh sides, scaffold attachment and loading ramps.

The Link Trolley can be safely stacked in multiples of five during transit provided that this is within the vehicles operating capabilities and the load is secure and stable. They can be stacked in multiples of eight for storage.

Link trolley chassis' are powder coated yellow for high visibility when on track and supplied with red flashing LED lights to aid awareness when in low light conditions.

### **Please note:**

All information, illustrations and specifications in this Technical Sheet are based on the latest information available at the time of publication. The right is reserved to make changes at any time without notice.

Equipment operators and installers shall be responsible for ensuring that a safe working environment and safe systems of work are in place and in certain circumstances advice and permission from the controlling authority must be sought before any operation, installation or surveying work is carried out.

Permaquip™ is a trademark of Permaquip Ltd.

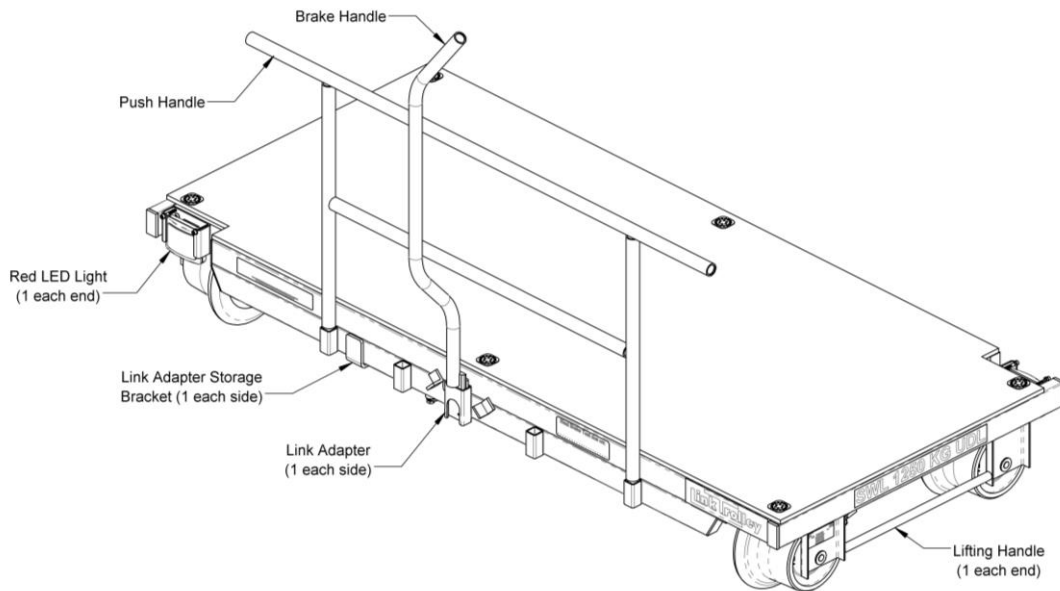
©2006 Permaquip Ltd.

Permaquip Ltd, Brierley Industrial Park, Stanton Hill, Sutton-In-Ashfield Nottinghamshire, NG17 3JZ

Tel: +44 (0)1623 513349 / Fax: +44 (0)1623 517742

E-mail: [sales@permaquip.co.uk](mailto:sales@permaquip.co.uk) / [www.permaquip.co.uk](http://www.permaquip.co.uk)

## Link Trolley Layout:



## Technical Data:

### Link Trolley Part Numbers:

• Link Trolley Non-Insulated Wheels Wooden Deck c/w Light Mast	37979
• Link Trolley Non-Insulated Wheels Wooden Deck	28455
• Link Trolley Insulated Wheels Wooden Deck	32820
• Link Trolley Non-Insulated Wheels Aluminium Deck	28798
• Link Trolley Insulated Wheels Aluminium Deck	28800

### Overall dimensions:

• Length	800mm
• Width	1670mm
• Height to push handle from top of rail head	850mm

### Platform dimensions:

• Length	743mm
• Width	1668mm
• Height from top of rail head	210mm

### Track Gauge:

1435mm  
(Various other gauges available upon request)

### SWL:

1250kg UDL  
(1000kg on NWR & LUL Infrastructure)

### Mass:

50 / 57kg

### Wheels:

• Material:	Aluminium
• Profile:	P1
• Rolling Diameter	6"
• Insulation (Optional)	5 MΩ

### Brakes:

Failsafe braking as standard tested in line with CoP 0018

### Maximum Cant:

150mm

### Maximum Gradient:

1 in 27

### Product Compliance:

- RIS-1701PLT
- BS EN13977

# Permaquip Link Trolley

