

ELECTRIC SCISSOR LIFTS



COMPACT 10 COMPACT 12 COMPACT 14



SMART RUGGED DESIGN

- > Impact-proof counterweight with integrated ladder protection, AC motors and charger plug
- > Reinforced guardrails with additional vertical stile for maximum durability

MAXIMIZED POTENTIAL

- > Access all worksites: foldable guardrails, lateral & longitudinal forklift pockets
- > IN/OUT usage* with full height driving and no load restriction

UNIQUE USER EXPERIENCE

- > Proportional movements for precise driving (AC motors)
- > Ergonomic upper control box with grab handle & speed selector

UNBEATABLE SERVICEABILITY

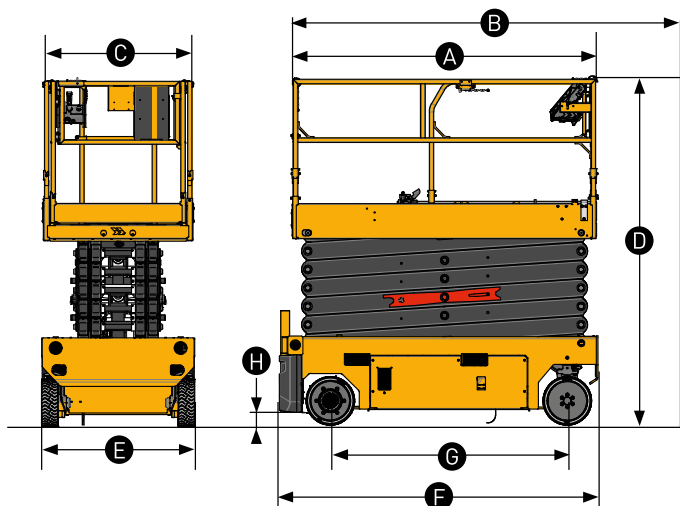
- > Haulotte Activ'Energy Management for battery care
- > On-board & remote settings and diagnostic tools with Haulotte Diag, Haulotte Activ'Screen and Sherpal telematics solution

* COMPACT 14: indoor only

ELECTRIC SCISSOR LIFTS

TECHNICAL DATA

| | COMPACT 10 AE | COMPACT 12 AE | COMPACT 14 AE |
|---|----------------------|---------------------|------------------|
| Working height | 10 m | 11.75 m | 13.75 m |
| Platform height | 8 m | 9.75 m | 11.75 m |
| Max. drive working height | 8 m | 9.75 m | 11.75 m |
| Lift capacity - inside | 450 kg (3 pers.) | 320 kg (3 pers.) | |
| Lift capacity - outside | 450 kg (1 pers.) | 320 kg (1 pers.) | NA |
| Lift capacity on the extension | 120 kg | | |
| A Platform length | 2.4 m | | |
| B Platform length - extended | 3.32 m | | |
| Length - extension | 0.92 m | | |
| C Platform width - outside | 1.17 m | | |
| D Height - stowed | 2.35 m | 2.47 m | 2.72 m |
| Height - guardrails lowered | 1.65 m | 1.77 m | 2.02 m |
| E Overall width | 1.20 m | | |
| F Length | 2.5 m | | |
| G Wheelbase | 1.86 m | | |
| H Ground clearance - center | 12.5 cm | | |
| Ground clearance - deployed potholes | 2 cm | | |
| Drive speed | 0.7 / 1.5 / 4.2 km/h | | |
| Gradeability | 25 % | | |
| Tilt (longitudinal / lateral) | 3.5° / 1.5° | | |
| Turning radius - outside | 1.83 m | | |
| Non-marking tyres | 15 x 5 | | |
| Batteries | 24 V - 225 Ah (C20) | | |
| Hydraulic system capacity | 10 l | 14 l | |
| Weight | 2 490 kg | 2 940 kg | 3 070 kg |



STANDARD EQUIPMENT

- > Haulotte Activ'Energy Management: Smart CAN charger
- > 27A multivoltage charger
- > Battery access with swing out tray
- > Battery level indicator
- > Haulotte Activ'Screen (battery charge information, hourmeter, service alerts & failures in code or in text...)
- > Lateral & longitudinal forklift pockets
- > Foldable guardrails
- > Front platform extension
- > AC motors
- > Mobile upper control box
- > 2 drive speeds selector
- > Manual emergency descent
- > Mobile pothole guards
- > MyHaulotte multi-services portal access
- > 2 front steering wheels, 2 rear drive wheels
- > Solid non marking tires
- > Motion alarm
- > Electric brake release system
- > Drop bar entry

OPTIONS AND ACCESSORIES

- > Haulotte Activ'Energy Management: automatic or manual battery water filling systems
- > AGM maintenance-free batteries
- > Secondary guarding system
- > Telematics solutions
- > Pipe cradle
- > Panel carrier
- > Swing gate entry
- > Additional protection of upper & lower control box
- > Basket plug (110 / 230 V)
- > Working light
- > Flashing light (single, dual or 360°)
- > Biodegradable hydraulic oil
- > Cold weather hydraulic oil

