



ARRIFLEX 416 Quick Guide

About, Software, Tools, Safety	3
Camera Left & Front	4
Camera Right & Back	5
Quick Specs	6
Power On, Camera RUN, Inching, Camera Display	7
Loading the Magazine	8
Mounting the Magazine	10
Camera Display – Fps & Shutter Angle	11
Camera Display – Options	12
On-board Battery OBB-2	13
Integrated Video System	14
Accessories	16
Timecode Operation	18
ARRI Group Addresses	20

This page is left blank intentionally.

About, Software, Tools, Safety

About the ARRIFLEX 416 Quick Guide

This Quick Guide (order number K5.40076.0) provides a short introduction to the ARRIFLEX 416. This guide does not replace the ARRIFLEX 416 Instruction Manual (K5.66324.0). It is essential that you acquaint yourself with the instruction manual before operating the equipment.

Even though all efforts have been made to ensure this guide's accuracy, changes and upgrades to the products described can result in different hardware or behaviour. Technical data are subject to change without notice.

These documents can be downloaded from www.arri.com in Acrobat pdf format. The Acrobat Reader can be downloaded free from the Adobe web site at www.adobe.com. A PostScript printer gives best printing results.

Software Version

This guide describes the ARRIFLEX 416 with Software Packet 01G. Different software versions can result in different behaviour. Authorized ARRI Service Centres can check and update equipment software.

Tools

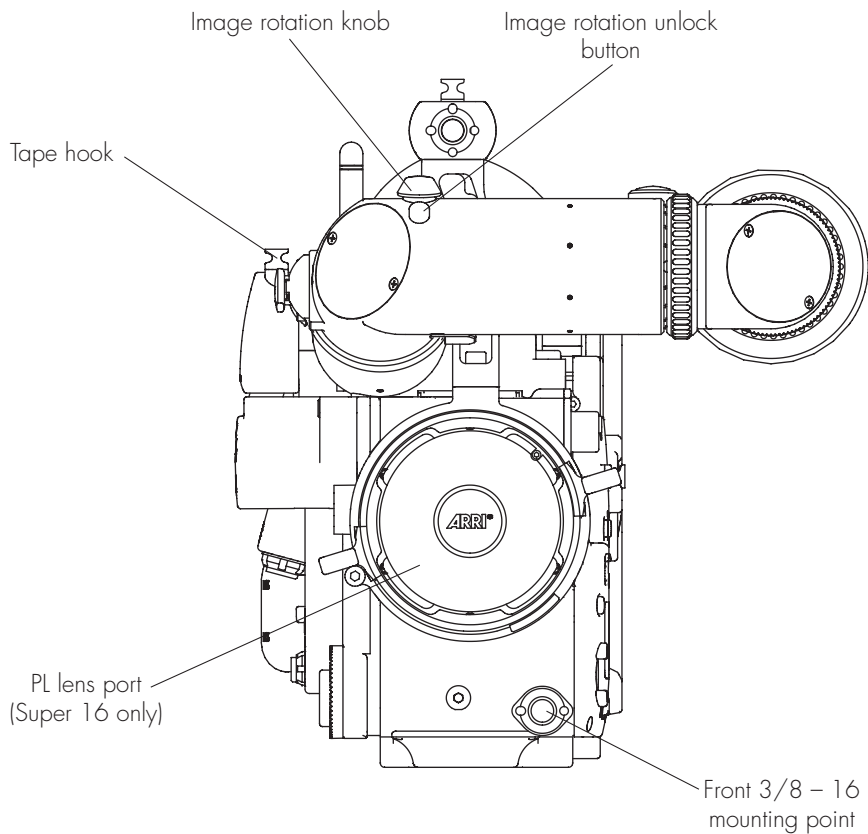
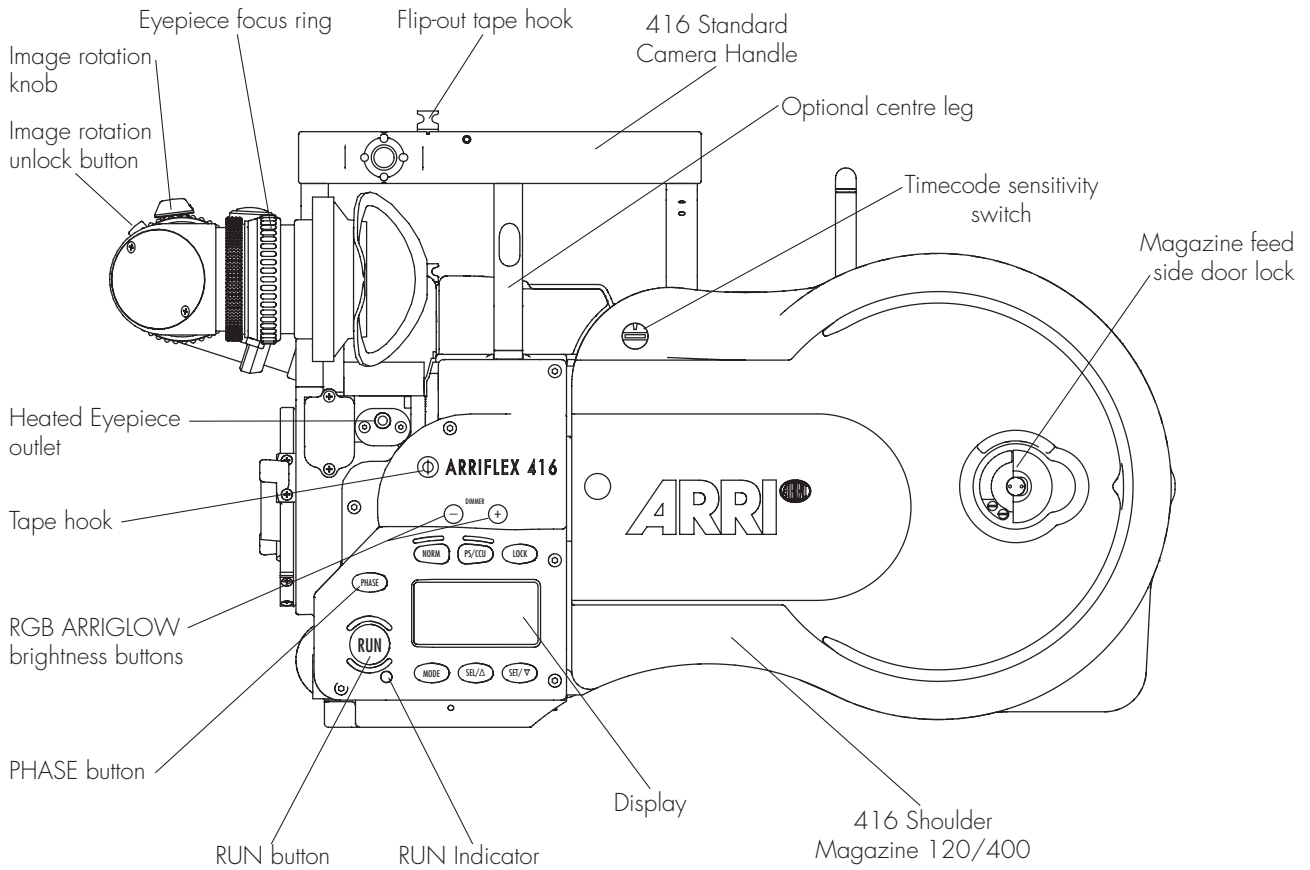
Anyone operating the ARRIFLEX 416 system should have these tools:

1. A **416 Shutter Tool** is used to adjust the open sector of the mirror shutter.
2. A **1.5 mm metric hex wrench** is used to adjust the alignment and focus of the Integrated Video System.
3. A **3 mm metric hex wrench** is used to attach and remove camera components and most accessories.
4. A **5 mm metric hex wrench** is used to attach or remove the 3/8" Accessory Shoe Adapter, the LWS-5 and the WHA-2 Rosette Bracket.
5. A 8-10mm (5/16") flat head **screwdriver** is used to attach base plates.
6. A **Hirschmann clamp** is used to withdraw and replace fibre screens and the field lens.
7. A red plastic **film track cleaning rod** for cleaning the film track and holding the mirror shutter still during adjustment.

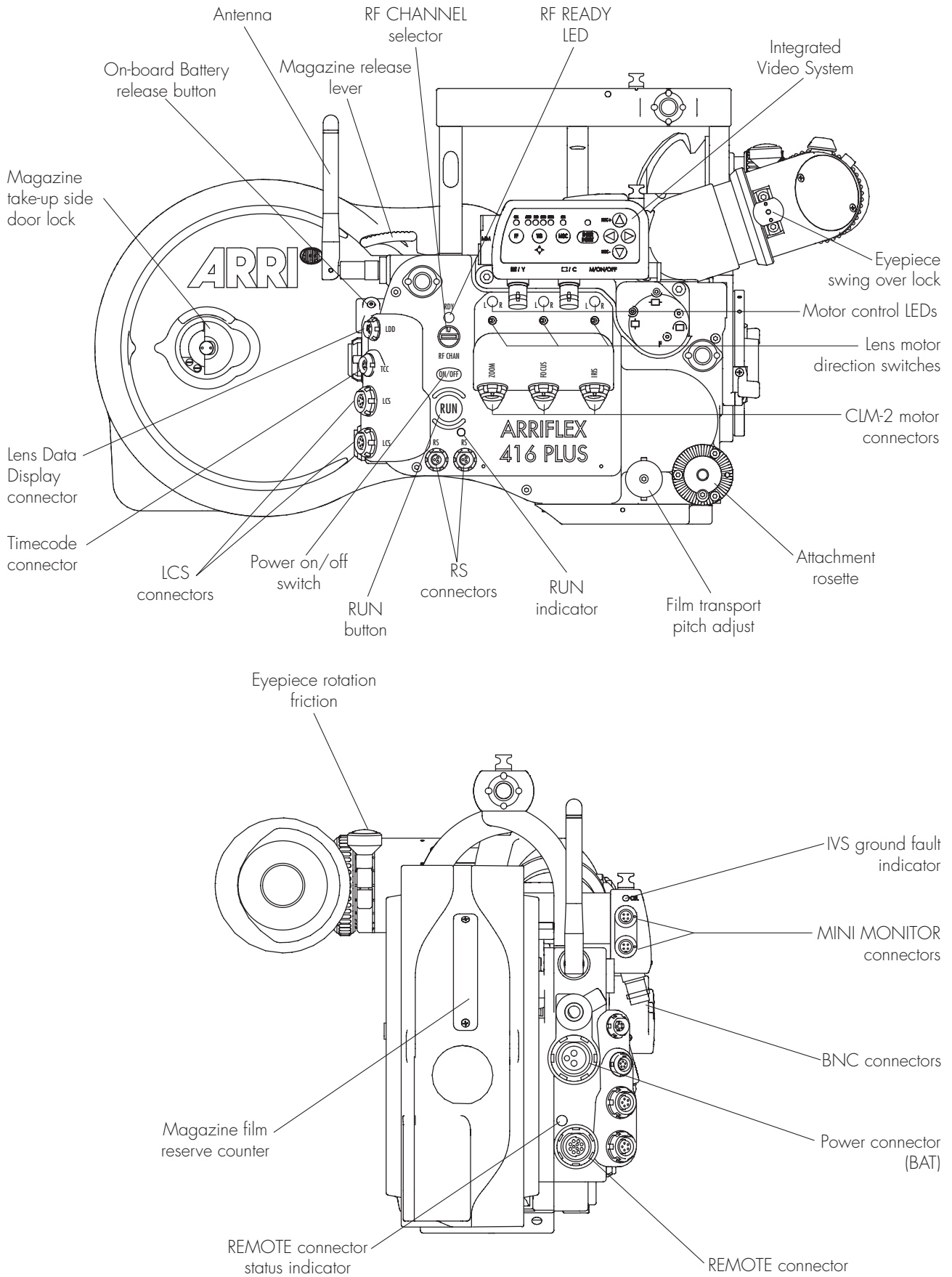
Safety Specifications

- Never place your hand in the lens port or inside the camera.
- Assembly and initial operation should be carried out only by persons who are familiar with the equipment.
- Switch camera power off before making electrical connections.
- Never run the camera without a lens or a protective cap mounted in the lens port.
- Never attempt to remove the magazine while the camera is running.
- Always ensure that the camera is securely mounted.
- Repairs should be carried out only by authorized ARRI Service Centres.
- Use only original ARRI replacement parts and accessories!
- In wet weather conditions the normal safety precautions for handling electrical equipment should be taken.
- Clean optical surfaces only with a lens brush or a clean lens cloth. In case of solid dirt moisten a lens cloth with pure alcohol or a brand name lens cleaner.
- Do not use solvents to clean the film path, Plexiglas parts or rubber seals.
- Do not remove any screws which are secured with paint.

Camera Left & Front



Camera Right & Back



Quick Specs

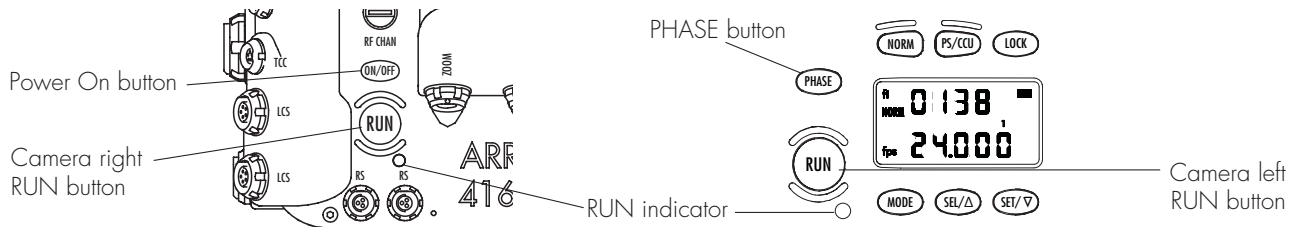
Fps range:	1 to 75 fps, forward only, in 0.001 fps increments
Mirror Shutter:	180° to 45°, manually adjustable Fixed settings at: 180°, 172.8°, 150°, 144°, 135°, 90°, 45° Use the following angles for filming with non-electronic ballast HMI or fluorescent lighting: 180°: 25 fps, 50 Hz supply, 1/50th second exposure time 172.8°: 24 fps, 50 Hz supply, 1/50th second exposure time 150°: 25 fps, 60 Hz supply, 1/60th second exposure time 144°: 24 fps, 60 Hz supply, 1/60th second exposure time
Power:	24 V DC, custom 105 Fischer connector, pin 1 is 0 V, pin 2 is positive, pin 3 is on-board battery condition monitor Acceptable range: 21 V to 35 V
Accessory Power:	1 x 24 V RS connector on 416 2 x 24 V RS connectors on 416 Plus 1 x 24 V REMOTE connector RS & REMOTE connectors combined 2 A continuous, 4 A peak Note: RS & REMOTE connectors are not regulated so their output voltage tracks the camera supply voltage. 1 x 24 V Heated Eyecup connector 2 x 12 V MINI MONITOR connector on IVS MINI MONITOR connectors combined 2 A continuous
Movement:	One pull-down film transport claw and one registration pin
Sound Level:	Less than 20 dB (A) @ 24 fps
Lens Mount:	54 mm PL mount, Super 16 only
Flange Focal Distance:	51.98 – 51.97 mm
Temperature Range:	-20°C to +50°C (+4°F to +122°F)
Electronic Accessories:	OBB-2 416 On-board Battery LDD-FP Lens Data Display for Focus Puller (Lens Data Archive only) UMC-3 Universal Motor Controller (Only for 416, not needed for 416 Plus) EXD-1 External Display RCU-1 Remote Control Unit LCS Lens Control System WRS Wireless Remote System (Yellow washer software only) WRC-1 Wireless Remote Control ESU-1 External Synchronization Unit (Accessory expansion cable needed) ICU-1 Iris Control Unit (Accessory expansion cable needed) RS-4 Remote On/Off Switch APB Accessory Power Box (Separate battery or Y-cable needed) WL-2 Work Light
Other Accessories:	MEE-1 235/416 Medium Eyepiece Extension, LEE-1 235/416 Long Eyepiece Extension, SCH-2 416 Standard Camera Handle, LMS-2 416 Low Mode Set, LRB-2 416 Left Rod Bracket, LWS-5 416 Lightweight Support, BP 10 & 11 Split Bridge Plates, 416 Steadicam Plate, S-4 Shoulder Set, 16SR 3 fibre screens, HE-3, 4 & 5 heated eyecups, ARRI On-board Monitors, FF-3 (with bridge plate), FF-4 & 5 (on lightweight support rods or bridge plate), 15 mm & 19 mm support rod matte boxes (with bridge plate), ARRI/Zeiss Ultra 16 lenses, ARRI/Zeiss Lightweight Zoom LWZ-1, ARRI/Zeiss Ultra Prime lenses, ARRI/Zeiss Master Prime lenses, Cooke S-4 lenses.
Not compatible with:	16SR magazines, 16SR on-board batteries, 435 Single Frame Hand Controller, CCU and ARRICAM electronic accessories.

Power On, Camera RUN, Inching, Camera Display

Turning Camera Power On

The Power On button for the ARRIFLEX 416 is located above the RUN button on the camera right side. To turn the camera On, briefly press the Power On button. When a battery is connected to the camera and the power switch is turned on, you should see characters appear on the Display on the camera left side.

Note: The camera remembers the status of the Power On button and restores this status after a power interruption.



Camera RUN



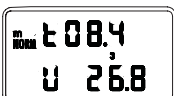
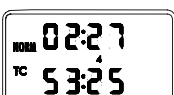

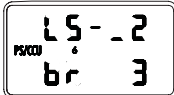

To run the camera, press any RUN button briefly. The RUN indicator light will glow red while the camera comes up to speed, changing to green once the set frame rate is reached. The RUN indicator light will glow steadily green while the camera runs at the set frame rate. To stop the camera, briefly press the RUN button again. If the RUN indicator glows red while the camera is in Standby, the camera is not ready and pressing the RUN button will have no effect.

Note: If the PHASE button has not been pushed after power on or after a new magazine has been attached, the first time RUN is pressed the camera performs a 2 second loop check before running.

Inching

The ARRIFLEX 416 cannot be manually inched – it can only be inched by pressing the PHASE button while the camera is in Standby. If the PHASE button is pressed briefly, the mirror shutter will open to allow for gate checks. To move the mirror shutter back into viewing position, press the PHASE button again briefly.

Camera Display Overview

- | | |
|--|--|
| <p>1.  Total film exposed (or take counter)
Standard speed.</p> <p>2.  Programmed speed.</p> <p>3.  Take counter (or total film exposed)
Supply voltage & (with OBB-2),
battery capacity/running time left.</p> <p>4.  Timecode hours & minutes
Timecode minutes & framerate</p> | <p>5.  Timecode User Bits
Timecode User Bits</p> <p>6.  Loudspeaker sequence & volume
Button backlight brightness</p> <p>7.  ARRIGLOW colour</p> |
|--|--|

Display Indicators:

asy: Asynchronous operation (camera is not running at set fps)
 bat: Low battery (OBB-2: 23 volts, other batteries: 20.6 volts)
 end: Camera has run out of film
 fps flashes: ESU is not receiving a valid signal
 TC glows: Timecode exposure is enabled and timecode is set
 TC flashes: Timecode exposure is enabled but not recording properly

Viewfinder Indicators:

LED glows: Asynchronous operation (camera is not running at set fps)
 LED flashes: Low battery (OBB-2: 23 volts, other batteries: 20.6 volts)

Loading the 416 Magazine

Note: The 416 magazine has its feed and take-up chambers on opposite sides to the SR 1, 2 & 3 magazines.

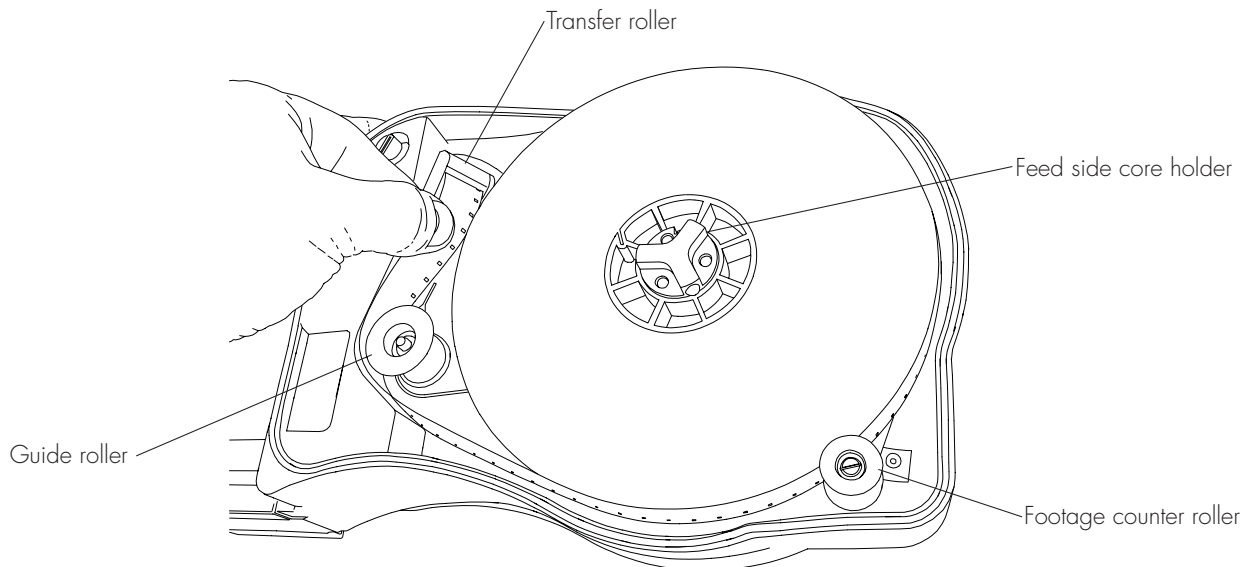
Step 1: The Feed Side

Load the unexposed film into the feed side in absolute darkness (darkroom or changing tent).

- Open the feed side magazine door and latch back the footage counter roller arm.
- Remove the film from the film can.
- Remove the tape from the film head. Ensure that the tape is completely removed and secured out of the way.
- Place the film roll on the core holder so it unwinds in the direction shown in the picture below. Press it down fully.

Note: When placing film on the feed side core holder, do not push on the film itself as it could become conical. Push on the film core instead.

- Hold the film roll still and turn the core holder until the core holder key clicks into the key slot of the film core. Make sure the core holder cannot turn any further.
- Release the footage counter roller arm gently so the roller rests on the outer surface of the film roll. The sides of the roller should overlap the film roll edges, as shown in the picture below.
- Push approximately 15 cm (6") of film into the slit at the top of the angled transfer roller. Then thread the film around the guide roller.
- Hold the film still where it enters the transfer roller and gently back-tension the film roll to remove any slack.
- Replace and lock the feed side magazine door, being careful not to trap any film in the process.

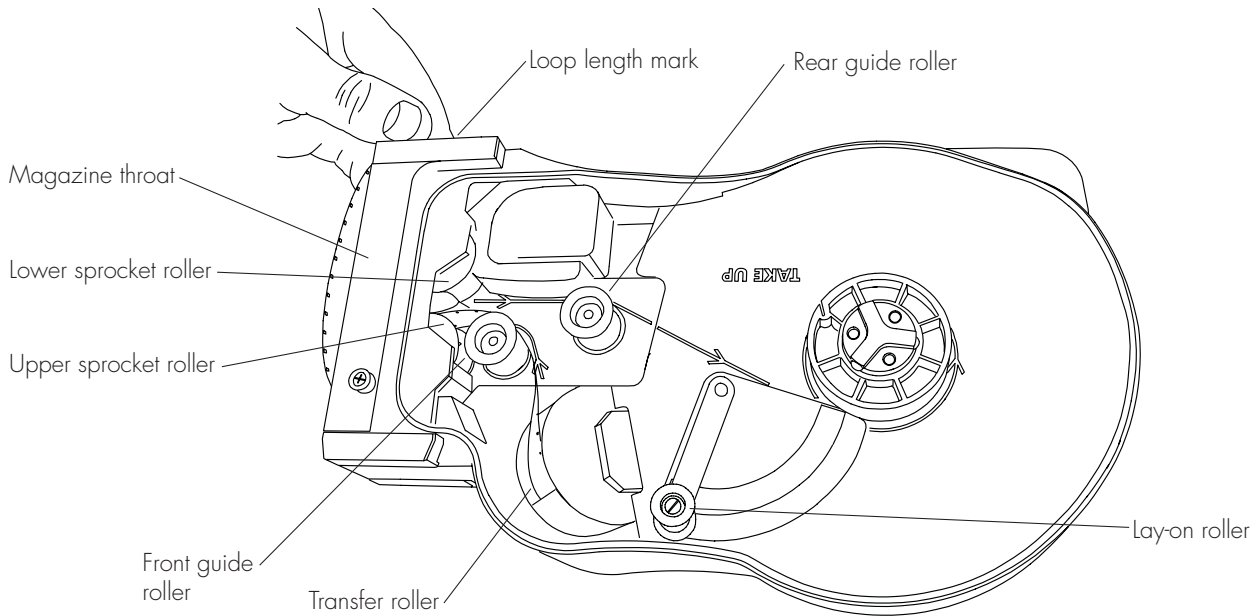


Step 2: The Take-up Side

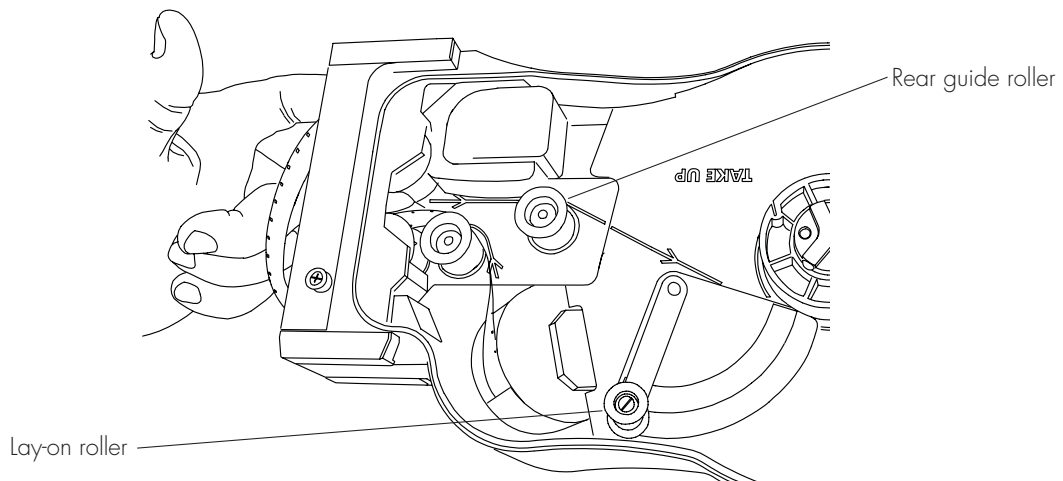
The following procedures may be carried out in the light.

- Flip the magazine over lengthways so the take-up door is uppermost and the top of the magazine is facing you. The 'ARRI' on the door will be upside down.
- Open the take-up side magazine door and latch back the lay-on roller arm. Fit an empty film core to the take-up core holder.
- The film head should be protruding from the transfer roller. Check that it is cut squarely through a perforation.
- Thread the film head around the forward guide roller as indicated inside the magazine. Without touching the film core, push the film head into the upper sprocket roller until its teeth engage in the film perforations.
- Once the sprocket teeth have engaged in the film perforations, turn the film core until the film head emerges from the magazine throat.

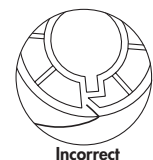
Loading the 416 Magazine



- Set the loop length by pulling the film head away from you and align it with the loop mark on the bottom of the magazine (see picture above). Adjust the loop length by turning the take-up film core.
- Now take your hand off the film core – there is enough inertia in the sprockets to maintain the loop length.
- Hold the film between thumb and middle finger of your left hand, while using your index finger to push the film head into the lower magazine throat slot. The angle at which the film enters is not as critical as it is on SR magazines.
- Keep pushing the film in with your index finger until you see the sprockets rotate. Now take hold of the film core again and rotate it counter-clockwise. This will pull the film from the throat into the take-up chamber.



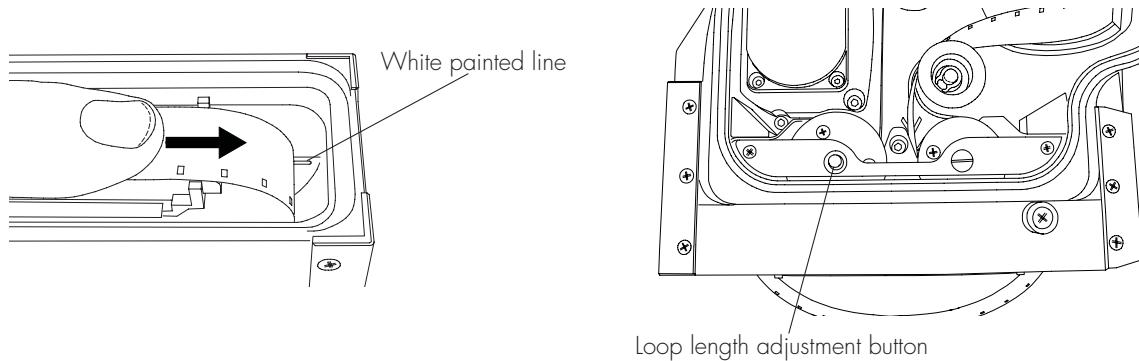
- Thread the film around the rear guide roller following the path indicated in the magazine.
- Insert the film head into the film core (see picture right) and manually wind the core holder two or three turns until the film winds tightly onto the core.
- Unlatch the lay-on roller arm.
- Close and lock the take-up side door.
- If using timecode, set the sensitivity switch according to the table on page 19 of this guide. The switch is located at the top left corner of the feed side door.



Checking the Loop & Mounting the Magazine

Manually Checking the Loop Length

- Hold the magazine with the throat pointing up and the take-up door facing you.
- Slide your finger gently down the film loop so all the slack is pushed to the bottom of the throat. The lower end of the loop should fall within the white painted line.



Adjusting the Loop Length

If the loop falls outside the limits of the white line, it can be adjusted as follows after opening the take-up door:

- If the loop is too short, unwind the take-up film core slightly to release tension on the lower sprocket roller. Hold the upper sprocket roller still with one finger and simultaneously press the loop length adjustment button in the lower sprocket roller while pulling the loop gently from the lower throat. Release the button and keep pulling the loop until the button pops up and the sprocket roller locks.
- If the loop is too long, hold the upper sprocket roller still with one finger and simultaneously press the loop length adjustment button in the lower sprocket roller while turning the take-up film core counterclockwise. Release the button and keep turning the film core until the button pops up and the sprocket roller locks.

Mounting the Magazine

- Insert the magazine throat into the magazine aperture in the back of the camera body and slide the magazine forward until it locks in place.

Note: If the Shoulder Pad is attached to the camera, you will need to push down on the Shoulder Pad before inserting the magazine.



- Flip the silver Safety Catch on the Magazine Release Lever forward to prevent accidental release of the magazine.
- Inch the camera by briefly pressing the PHASE button.

Note: After a new magazine has been attached or after camera power has been turned on, you should always push the PHASE button to perform a loop check (the display shows 'loop'). This takes about 2 seconds and will engage the pull-down claw, check loop size and centre the loop properly.

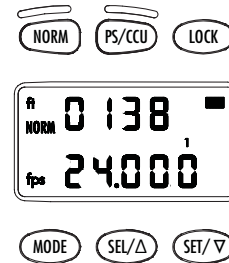
Camera Display - Fps & Shutter Angle

The NORM and PS/CCU buttons above the display select between preset Standard Speeds and user adjustable Programmable Speeds. Standard Speeds of 23.976, 24, 25, 29.97 & 30 fps are possible, while the Programmable Speed can be set anywhere from 1.000 - 75.000 fps.

Note: If LOCK shows in the display, the camera settings are locked. To unlock, briefly press the LOCK button.

Setting the Standard Speed (NORM)

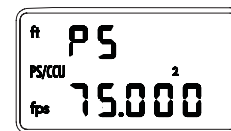
- Make sure the display is in mode 1 (black bar visible). If not, repeatedly press MODE until it is. If PS/CCU shows in the display, press NORM.
- If the total exposed film is displayed, pressing SEL steps first through the digits of the top line then the Standard Speeds below. If take length is displayed, pressing SEL will cycle only through the Standard Speeds.
- While the desired speed is flashing, press SET to set the speed.



Display in mode 1.
Speed set at 24.000 fps

Setting a Programmable Speed (PS/CCU)

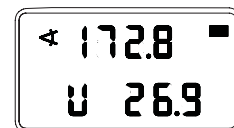
- Press PS/CCU to switch from NORM to PS/CCU.
- Press MODE once to switch the display from mode 1 to mode 2.
- Pressing SEL selects one digit after another. The selected digit flashes.
- Press SET to increment the value of the flashing digit by 1.
- Repeat the last 2 steps for all the digits that need to be changed. Final confirmation of the set speed is not necessary.



Display in mode 2.
Speed set at 75.000 fps

Checking the Mirror Shutter Angle

- With the camera in Standby, press and hold PHASE. The camera will inch at approximately 1 fps.
- After 2 seconds the top line of the display shows the open angle of the mirror shutter, while the bottom line shows the supply voltage. With an OBB-2 connected, the bottom line can optionally show the remaining battery capacity (in percent) or the remaining running time (in hours).

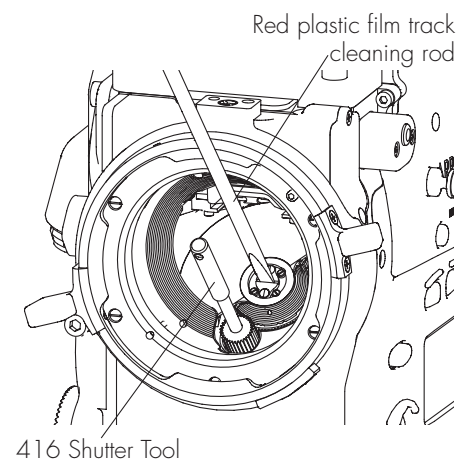


Display with PHASE button pressed. Open mirror shutter angle 172.8° and supply of voltage 26.9.

Changing the Mirror Shutter Angle

Note: Before adjusting the mirror shutter, check that it is in the viewing position then turn off the camera and remove the battery or power cable! Accidentally running the camera during adjustment would cause catastrophic damage!

- Remove the lens or lens port cavity cap and hold the mirror shutter still by engaging the tip of the red plastic film track cleaning rod in the slot in the centre of the mirror shutter. Do NOT use a regular metal screwdriver.
- Insert the 416 Shutter Tool into the adjustment hole below the mirror centre.
- Turn the 416 Shutter Tool until the desired Mirror Shutter preset angle is reached. Angle presets are: 180°, 172.8°, 150°, 144°, 135°, 90° & 45°. Turning counter-clockwise reduces the angle.

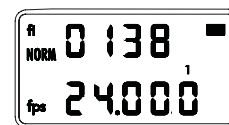


Camera Display - Options

Setting the Total Exposed Film Counter

A new feature of the 416 is the option to enter a total exposed film quantity.

- Make sure the display is in mode 1 (black bar visible). If not, repeatedly press MODE until it is. If PS/CCU shows in the display, press NORM.
- If the take counter is displayed in mode 1 switch to total exposed film as follows:
 - Press MODE twice to enter mode 3.
 - Press SEL twice.
 - Press SET once to switch the positions of the take and total exposed film counters.
 - Repeatedly press MODE until mode 1 is displayed.
- Use the SEL button to select the digit you wish to change, which will flash.
- Use the SET button to change the value of the flashing digit. No confirmation is necessary.

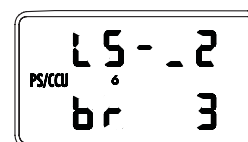


Resetting the Total Exposed Film Counter

- Repeatedly press the MODE button until the total exposed film counter is displayed (mode 1 or 3).
- Press and hold the SET button until the counter resets (approximately 3 seconds).

Beeper, Backlight & ARRIGLOW

The upper line of display mode 6 allows the user to decide whether and when the beeper sounds and how loud (LS is shown for 'loudspeaker'). The left-hand bar shows the status of the start beep. The right-hand bar shows the status of the stop beep. In each case, with the bar in the high position the beep will sound, in the low position it will not. The final digit is the volume, which is adjustable between 0 (off) and 3.



The lower line of display mode 6 controls the brightness of the control buttons backlight. This can be set between 0 (off) and 3.

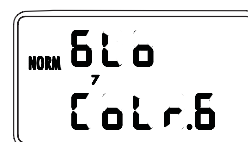
The ARRIGLOW on the 416 gives the user a choice of frameglow colours. Colours 1 – 8 are preset colours followed by U, which is user adjustable by setting individual red, green and blue values. The ARRIGLOW brightness is adjusted with the + and – buttons above the camera display.

Changing the Beeper and Backlight settings

- Use the SEL button to select the digit you wish to change, which will flash.
- Use the SET button to change the value of the flashing digit.

Changing the RGB ARRIGLOW colours

- Push the + DIMMER button on the camera left side so you can see the ARRIGLOW in the viewfinder.
- Set the display to mode 7.
- Pushing the SEL button will make the ARRIGLOW number flash. Pushing the SET button will now cycle through preset colours 1 – 8 and then user adjustable colour "U". Stop at the colour you like – no confirmation is necessary.
- To change the user adjustable colour, push SEL again while U is flashing. The SEL button will now cycle through the red (r), green (G) and blue (b) values of the user colour. Pushing the SET button changes the flashing colour value from 0 (no colour) up to 16 (maximum colour). No confirmation is necessary.



On-board Battery

On-Board Battery OBB-2

The OBB-2 On-Board Battery attaches directly to the camera body by means of a quick change mechanism that can be easily operated with one hand. The OBB-2 incorporates a built-in power meter to indicate the state of charge, while an extra contact in the power connector communicates this information to the camera. When an OBB-2 is connected, display mode 3 can additionally show battery capacity (in percent) or remaining camera running time (in hours). The remaining running time is calculated from the load on the camera since it was powered-up and assumes the loading from accessories will not change.

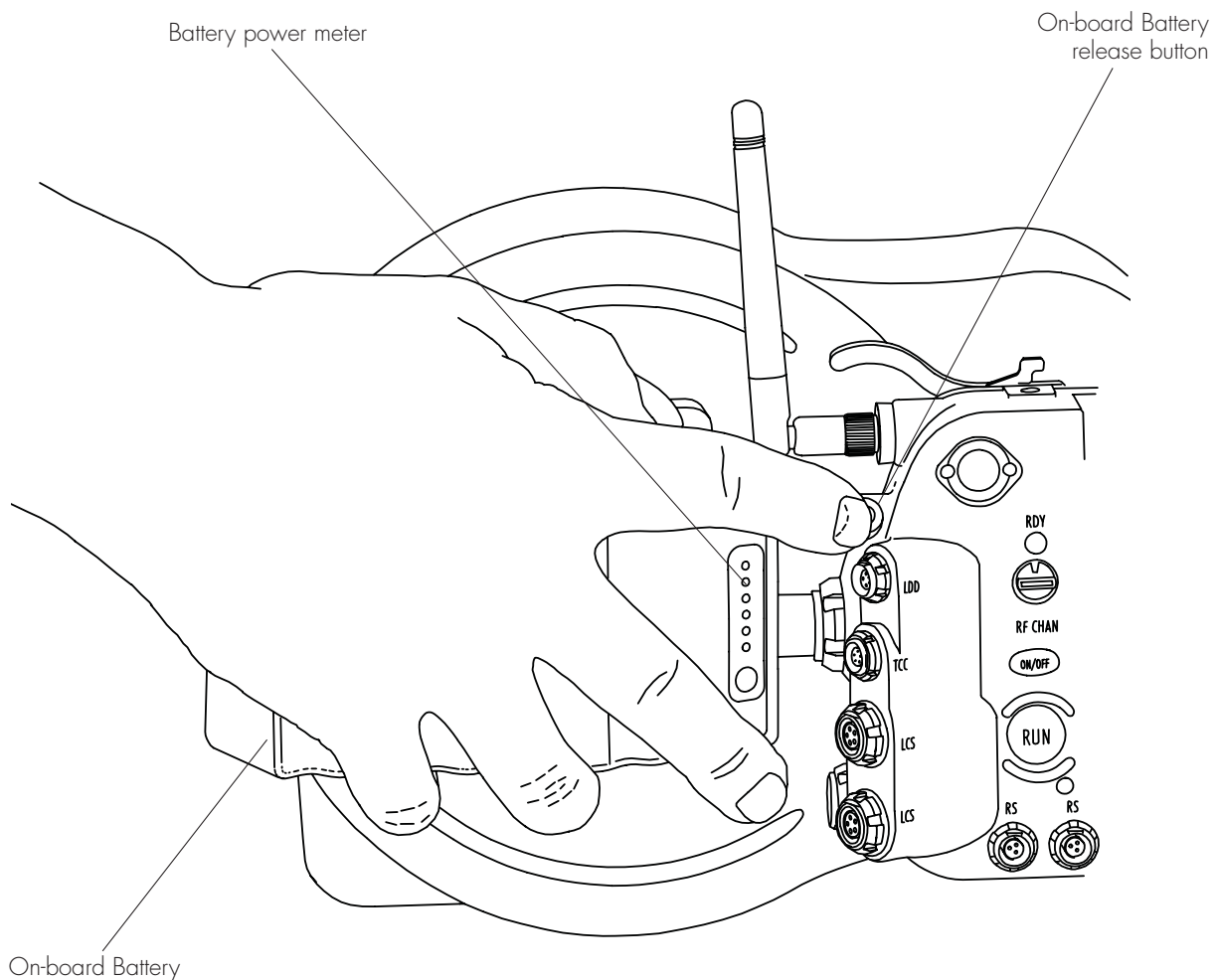
Note: The new 416 power connector on the camera remains compatible with standard ARRI 24 volt power cables.

Mounting the OBB-2

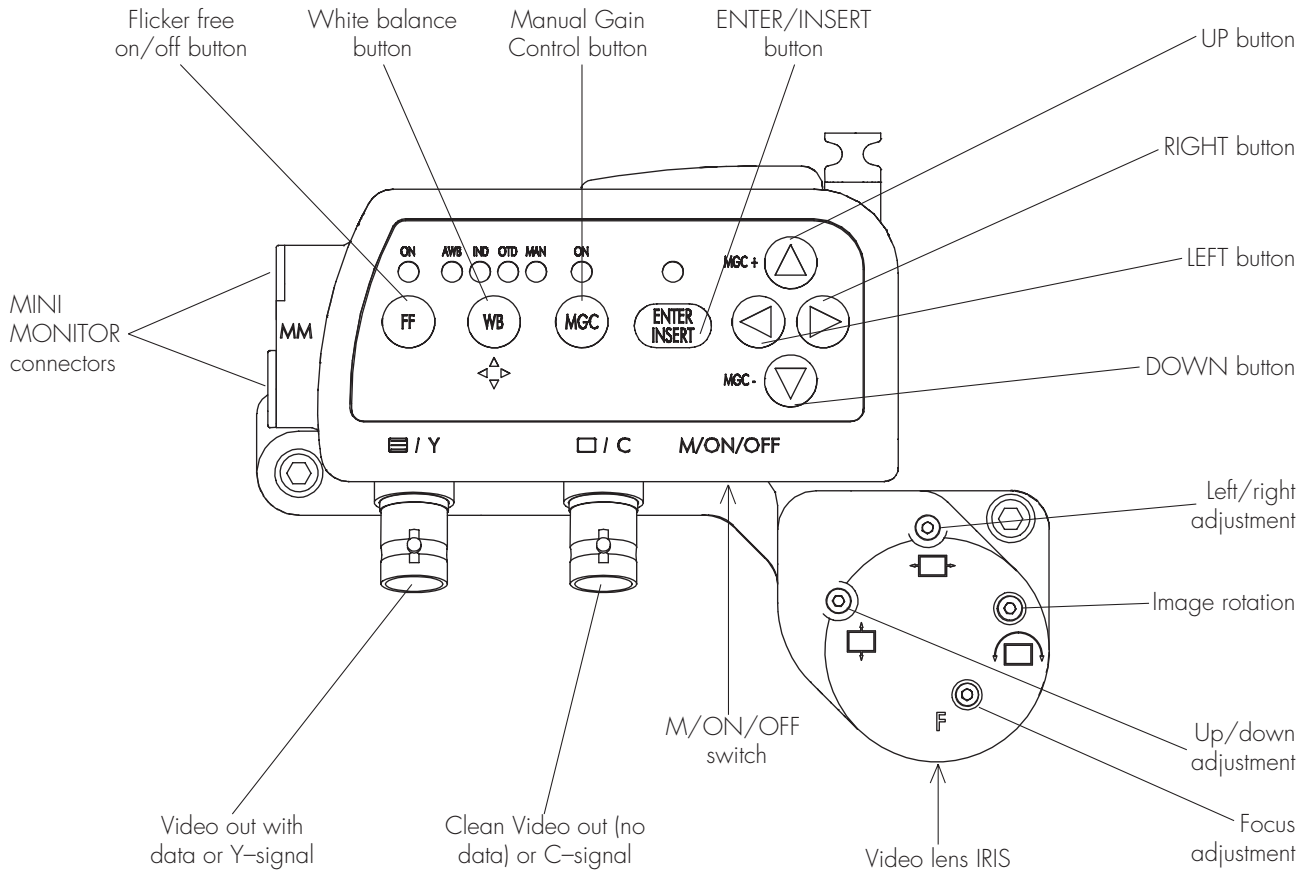
- Fit the power plug of the OBB-2 into the camera power connector and slide the battery forward.

Removing the OBB-2

- Hold the OBB-2 as shown in the picture below and press the on-board battery release button.
- Pull the battery backwards until the power connectors disengage.



Integrated Video System



M/ON/OFF switch

Make sure that the camera power is ON. Move the M/ON/OFF switch to ON (centre position).

To display a summary of all menu choices while the on-screen menu is not visible, press the M/ON/OFF switch all the way to the left (it will spring back to the centre position when released).

To temporarily hide the on-screen menu while it is visible, press the M/ON/OFF switch all the way to the left. This is useful to check the image while making adjustments in the on-screen menu.

White balance

Press the WB button to cycle through the five white balance settings. Four of these, AUTO (AWB), INDOOR (IND), OUTDOOR (OTD) and MANUAL (MAN) have dedicated LEDs. The fifth setting, ONE PUSH WHITE, is available when the ENTER/INSERT LED flashes.

AUTO	automatic white balance.
INDOOR 3200 K	when the illumination is tungsten and no colour correction filter is used.
OUTDOOR 5600 K	when the illumination is daylight or HMI and no colour correction filter is used.
MANUAL	manual white balance as controlled by the UP (increase blue), DOWN (decrease blue), RIGHT (increase red) & LEFT (decrease red) buttons.
ONE PUSH WHITE	user adjustable – hold a white card in front of the lens and press ENTER/INSERT.

Controlling image brightness

Open the video lens IRIS fully and use either Automatic Gain Control or Manual Gain Control to control the image brightness. Only close the video lens IRIS if the brightness exceeds the electronic control range.

Integrated Video System

Gain Control

- Press the MGC button to toggle between Manual Gain Control (LED on) and Automatic Gain Control (LED off).
- When MGC is off, Automatic Gain Control will adjust the image brightness.
- When MGC is on, adjust the image gain with the UP (increase gain) & DOWN (decrease gain) buttons.

The on-screen menu

The on-screen menu allows the adjustment or selection of the following features: Load & store settings, White Balance, Gain, Colour Bars, video settings, Format Markings, Image Compare/Store, Text Inserter (camera status, system status, user text, timecode & more) & VITC/WHITELINE.

- To display the main menu, press and hold the ENTER/INSERT button for 3 seconds.
- To select a sub-menu, use the UP & DOWN buttons. The arrow indicates which sub-menu is selected.
- To enter the selected sub-menu, press the RIGHT button.
- To go back to the main menu chose EXIT, which can be found at the bottom of each screen.
- To leave all menus, press and hold the ENTER/INSERT button for 3 seconds.

BNC mode

- Enter the VIDEO/TEXT ADJ sub-menu to chose between VBS (composite) and Y/C video signals to be output by the video out (BNC) connectors under the BNC OUT option.

VBS	Left BNC:	composite video with on-screen data.
	Right BNC:	composite video without on-screen data.
Y/C	Left BNC:	Y (luminance) portion of the video signal.
	Right BNC:	C (chrominance) portion of the video signal.

How to get on-screen data in Y/C mode

- With Y/C selected in the VIDEO/TEXT ADJ sub-menu, the option of Y/C DATA, can now be toggled between ON or OFF. If ON is selected then the Y/C signal will have on-screen data.

How to get black & white video

- Set the BNC mode to Y/C.
- Connect the video cable to the left video out (BNC) connector only.

How to adjust electronic sharpness

The 416 IVS has an electronic sharpness control which can be adjusted to optimize the look of the video output.

- Press and hold the ENTER/INSERT button for 3 seconds to enter the on-screen menu.
- In the VIDEO/TEXT ADJ sub-menu, adjust the value assigned to SHARPNESS for the best looking picture.
- To leave the on-screen menu, press and hold the ENTER/INSERT button for 3 seconds.

How to generate colour bars

To assist in setting up attached video monitors, the 416 IVS has the option to generate colour bars.

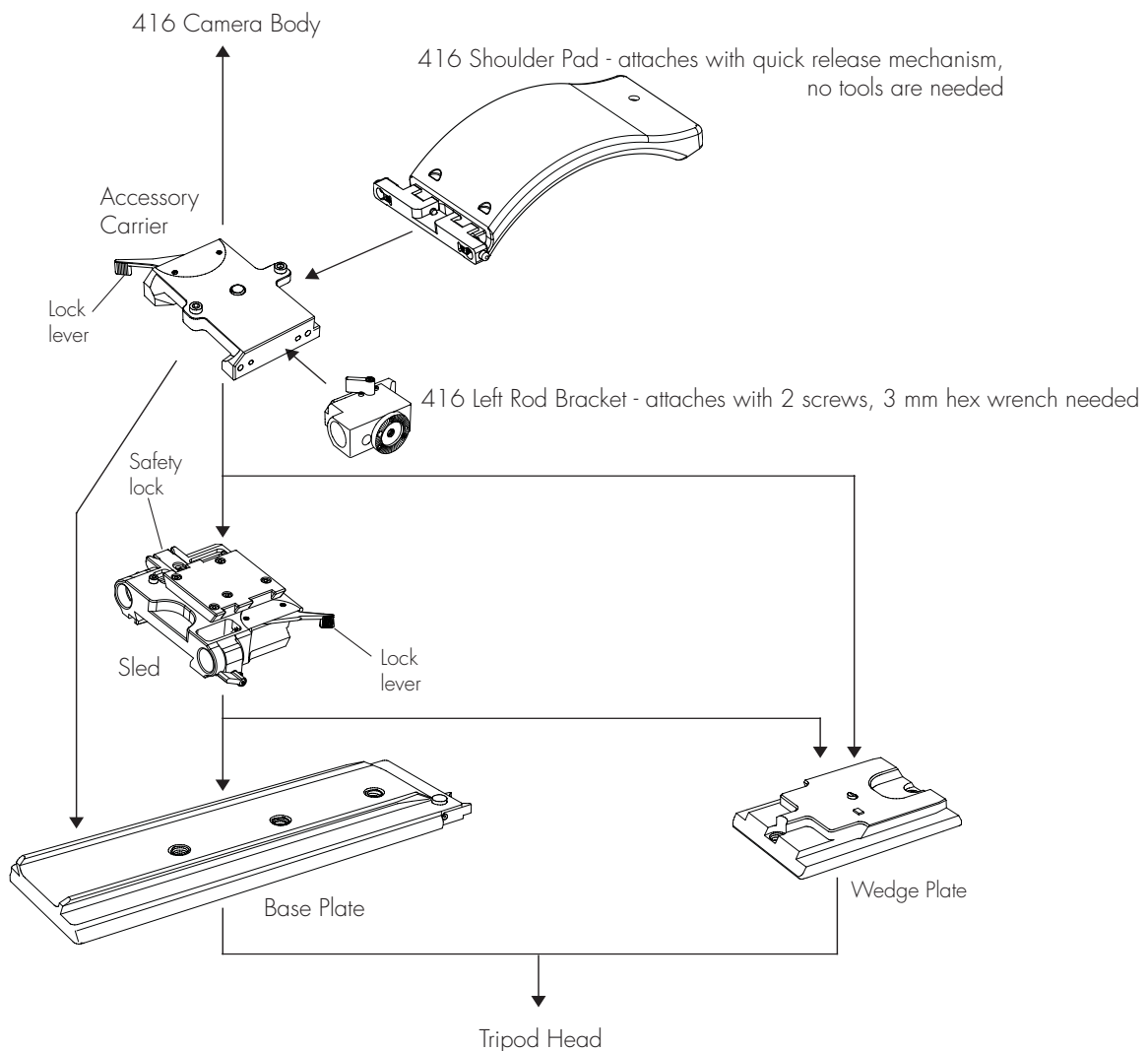
- Press and hold the ENTER/INSERT button for 3 seconds to enter the on-screen menu.
- In the WB/GAIN/BARS sub-menu, set COLOR BARS to ON.

Accessories

Split Bridge Plates BP-10 & BP-11

The BP-10 & 11 facilitate the balancing of the 416 on the tripod and elevate it to the proper height for the mounting of accessories. They separate into two pieces to allow a quick change between tripod and hand-held operation. The BP-10 uses 19 mm support rods where the BP-11 uses 15 mm support rods. The bridge plates consist of the Accessory Carrier, the Sled, the Base Plate and a pair of 240 mm long Support Rods. To release the Accessory Carrier from the Sled, release the lock lever on the Accessory Carrier, press the safety lock on the Sled and pull the Accessory Carrier back and up. There are two release positions: The first is for use with Lightweight Support mounted accessories (e.g. FF-4 – lens stays on camera) and the second is to clear the PL mount of a large lens when quick disengagement of the camera is desired. A second person should secure the lens in that case.

- The Accessory Carrier attaches to the camera base and accepts the 416 Shoulder Pad and 416 Left Rod Bracket.
- Combined with the Sled, the Accessory Carrier works like a conventional bridge plate.
- The Accessory Carrier will also attach to the Wedge Plate so a 416 in hand-held configuration can be securely snapped into a tripod head when not in use.



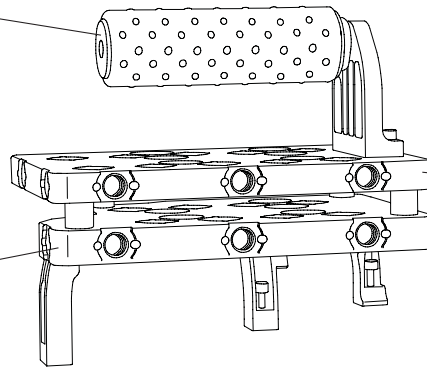
416 Left Rod Bracket

The 416 Left Rod Bracket attaches to the Accessory Carrier for the fitting of a single 19 mm rod for use with the Lightweight Follow Focus or a lens motor. It also has an Accessory Rosette for use with a left hand grip.

Accessories

416 Low Mode Support Set (LMS-2)

Low Mode Support Handle
Fits in 3 positions facing forwards or back to optimize camera balance.

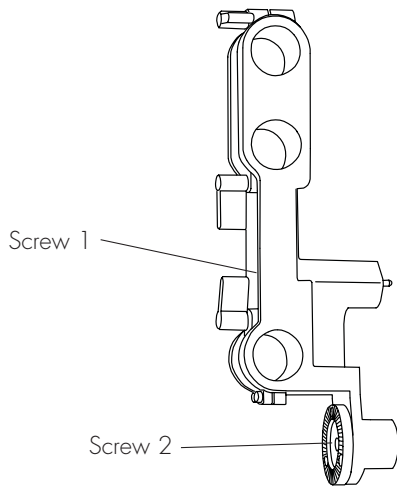


Low Mode Riser
Allows use of Steadicam plate with the viewfinder fitted.

Low Mode Bracket
Use on its own for the lowest low mode configuration - viewfinder needs to be removed to clear Steadicam plate.

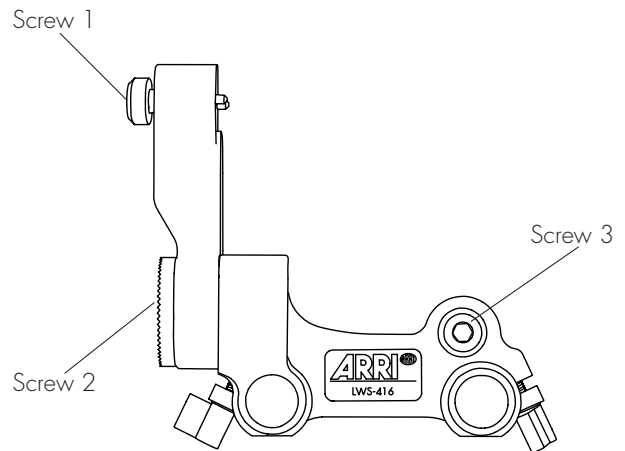
416 Side Bracket (SBR-2)

The Side Bracket can be attached to the 416 and supports the MB-20 I & II matte boxes using either 19 or 15 mm rods. A 5 mm hex wrench is needed to fix the two mounting screws.



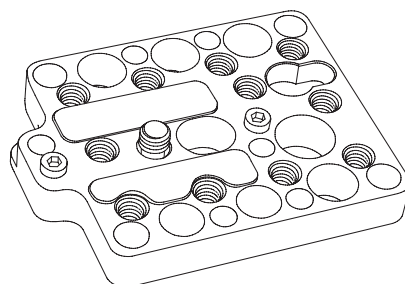
416 Lightweight Support (LWS-5)

A sturdy bracket for 15 mm lightweight support rods that attaches to the 416 by three screws - a 5 mm hex wrench is needed.



416 Steadicam Plate

Because the LWS-5 projects below the line of the camera base a riser plate needs to be added when the 416 is top mounted on a Steadicam. The 416 Steadicam Plate adds the necessary distance and offers numerous 3/8 - 16 mounting holes.



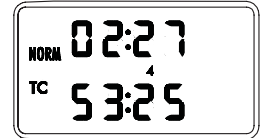
Timecode Operation

Note: To write SMPTE timecode to film, ARRIFLEX 416 magazines must have the 416 Timecode Module fitted.

Note: Timecode recording is only possible at the 5 Standard Speeds of 23.976, 24, 25, 29.97 & 30 fps.

Turning Timecode Recording On and Off.

- Press the MODE key until the display shows mode 4.
- Press and hold SET until the TC symbol appears (or disappears) on the display.
- Alternatively, Timecode recording is automatically turned on when the camera receives a valid Timecode signal (see Timecode Input).



Display in mode 4. TC is on. Frame rate is 25 fps

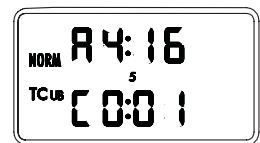
Timecode Input (Jam Syncing)

- Connect the LTC signal from a Timecode generator (or motherclock) to the Timecode connector on the camera's right side.
- The last 2 digits on the display will show 'EC' (external code). When the Timecode is correctly transferred they will change to 'CC' (correct code).
- After approximately 10 seconds the last 2 digits will change to the Timecode recording frame rate.

Note: If the motherclock used is an Ambient ClockIt and it is left connected for 10 minutes, the camera's Timecode clock will synchronize itself to the exact frequency of the motherclock leading to better accuracy and extended periods between jam syncing.

Userbit Input

- Userbits are automatically input with the Timecode, but they can also be set by means of the camera display in mode 5.
- Use the SEL button to select the digit you wish to change, which will flash.
- The SET button changes the value of the flashing digit.
- Repeat the last two steps for all the digits that need to be changed.

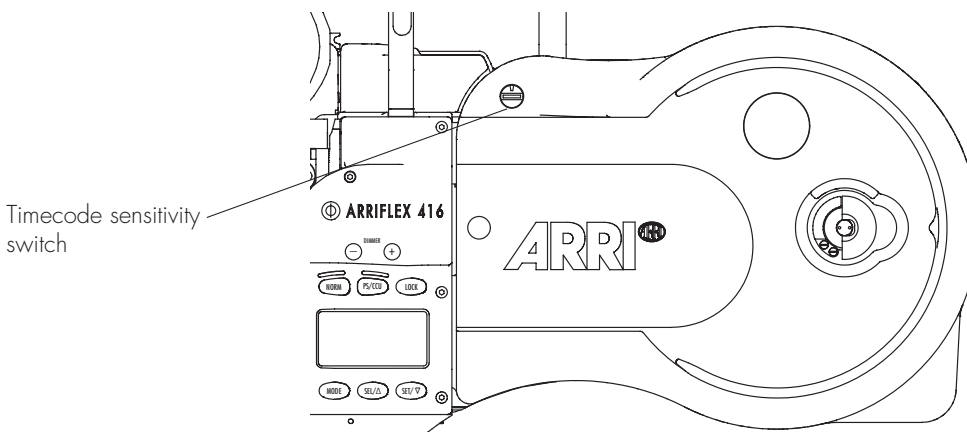


Display in mode 5. Showing Userbits

Note: Userbit values are hexadecimal so available characters are 0 – 9 and A – F.

Magazine Timecode Sensitivity Switch

To ensure proper timecode exposure on film, the intensity of the exposure LED in the 416 Timecode Module is adjustable. Magazines have a Timecode Sensitivity Switch in the top left corner of the feed side door for this purpose. Different film stocks require the TCS Switch to be set to different TCS numbers. The table on the next page shows the settings required by current film stocks.



Timecode Sensitivity Table

16 mm Kodak Film Stocks

Kodak	7201	(Color Negative)	TCS 7
Kodak	7205	(Color Negative)	TCS 6
Kodak	7212	(Color Negative)	TCS 6
Kodak	7217	(Color Negative)	TCS 6
Kodak	7218	(Color Negative)	TCS 5
Kodak	7222	(B/W Negative)	TCS 8
Kodak	7229	(Color Negative)	TCS 5
Kodak	7231	(B/W Negative)	TCS 8

16 mm Fuji Film Stocks

Fuji	8622	(Color Negative)	TCS 6
Fuji	8632	(Color Negative)	TCS 6
Fuji	8652	(Color Negative)	TCS 5
Fuji	8653	(Color Negative)	TCS 6
Fuji	8662	(Color Negative)	TCS 4
Fuji	8663	(Color Negative)	TCS 5
Fuji	8672	(Color Negative)	TCS 4
Fuji	8673	(Color Negative)	TCS 5
Fuji	8682	(Color Negative)	TCS 6
Fuji	8683	(Color Negative)	TCS 6
Fuji	8692	(Color Negative)	TCS 4

ARRI Group Addresses

- Australia** **ARRI Australia PTY Limited (Sales, Service & Rental)**
Unit 6C, 5 Talavera Road, Macquarie Park, Sydney. NSW 2113, Australia
Voice phone: +61 (2) 9855 4300, FAX: +61 (2) 9855 4301
Email: info@arri.com.au
- Canada** **ARRI Canada Limited (Sales & Service)**
415 Horner Ave. Unit 11, Toronto, Ontario M8W 4W3, Canada
Voice phone: +1 (416) 255 3335, FAX: +1 (416) 255 3399
Email: email@arrican.com
- Germany** **Arnold & Richter Cine Technik (Sales & Service)**
Türkenstraße 89, D-80799 Munich, Germany
Voice phone: +49 (0)89 3809-0, FAX: +49 (0)89 3809-1245
Email: webmaster@arri.de
- ARRI Camera Rental (Film Equipment Rental)**
Türkenstraße 89, D-80799 Munich, Germany
Voice phone: +49 (0)89 3809-1240, FAX: +49 (0)89 3809-1798
Email: mjahn@arri.de
- Great Britain** **ARRI GB Limited (Sales & Service)**
2 Highbridge, Oxford Road, Uxbridge, Middlesex, UB8 1LX, England
Voice phone: +44 (0)1895 457 000, FAX: +44 (0)1895 457 001
Email: sales@arri-gb.com
- ARRI MEDIA (Film Equipment Rental)**
3 Highbridge, Oxford Road, Uxbridge, Middlesex, UB8 1LX, England
Voice phone: +44 (0)1895 457 100, FAX: +44 (0)1895 457 101
Email: info@arrimedia.com
- ARRI Lighting Rental (Lighting Rental)**
4 Highbridge, Oxford Road, Uxbridge, Middlesex, UB8 1LX, England
Voice phone: +44 (0)1895 457 200, FAX: +44 (0)1895 457 201
Email: tmoran@arrirental.com
- Italy** **ARRI Italia S.r.l. (Head Office, Milan)**
Viale Edison 318, 20099 Sesto San Giovanni (Milan), Italy
Voice phone: +39 (02) 262 271 75, FAX: +39 (02) 242 1692
Email: info@arri.it
- ARRI Italia S.r.l. (Sales & Service, Rome)**
Via Placanicca 95, 00040 Morena (Rome), Italy
Voice phone: +39 (06) 726 707 97, FAX: +39 (06) 723 1541
E-mail: catalano@arri.it
- USA** **ARRI Inc. (Sales & Service, East Coast)**
617 Route 303, Blauvelt, NY 10913-1123, USA
Voice phone: +1 914 353 1400, FAX: +1 914 425 1250
Email: arriflex@arri.com
- ARRI Inc. (Sales & Service, West Coast)**
600 North Victory Blvd., Burbank, CA 91502-1639, USA
Voice phone: +1 818 841 7070, FAX: +1 818 848 4028
Email: brussell@arri.com
- ARRI CSC (Film Equipment Rental, NY)**
619 West 54th St, New York, NY 10019, USA
Voice phone: +1 212 757 0906, FAX: +1 212 713 0075
Email: ctamarro@cameraservice.com
- ARRI CSC (Film Equipment Rental, Florida)**
2385 Stirling Road, Fort Lauderdale, FL 33312, USA
Voice phone: +1 954 322 4545, FAX: +1 954 322 4188
Email: estamm@cameraservice.com
- Web site:** **www.arri.com**