

S400 AIR DISINFECTANT DEVICE



Scientific Air Management's SAM 400 Portable Air Disinfection Device provides users a safe and clean environment, making them ideal for healthcare and hospital settings.

The S400 uses a patented UV-C technology, laboratory verified in EPA guideline bio-aerosol test chambers to eliminate 99.9995% of viruses, eradicate bacteria and mould, remove particulates, odour, and VOC's in a standard 800 cubic-foot room in minutes.

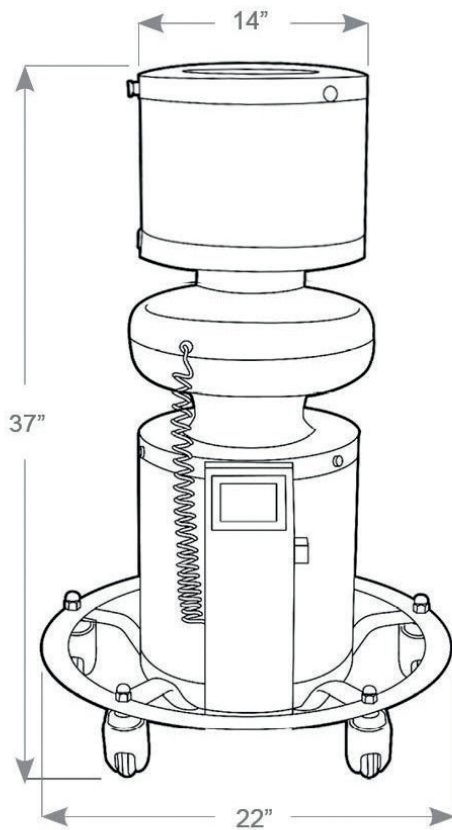
Benefits

- Effective against viruses, including Covid 19, as negative air pressure prevents it from spreading
- Provides certified whole room air disinfection in minutes (tested under strict EPA guidelines)
- Aids in reducing HAI's with a verified 99.9995% UV-C pathogen killing rate for virus, eliminating bacteria, mould, odour, and VOC's
- Reduces airborne particulates by 99.97%
- Quiet 24/7 UV-C air disinfection

Features

- Fan performs complete air change disinfection within 30 minutes (800 cubic ft area)
- SAM HEPA® pre-filter cartridge captures particulates down to 0.3 microns
- UV-C kill chamber processing pathogen-laden air, destroying virus and bacteria less than 0.3 micron
- Patented carbon substrate for complete odour and VOC removal
- Zero airflow disturbance
- Does not produce ozone or air pressure interference
- On-Board Digital screen reporting:
 - HEPA filter/air flow integrity
 - UV-C light integrity/intensity
 - Carbon final filtration integrity
 - Processed CFM air volume
- Premium hospital wheel casters for effortless mobility on all surfaces with touch-toe locking wheels
- Pathogen and Particulate Air Volume process metering

S400 AIR DISINFECTANT DEVICE



Specifications

Physical Dimensions	22 x 37 inches Weights 62 pounds
Electrical Ratings	Rated at 110 volts Rated at 1.6 Amps Grounded outlet required
Decibel Level	62-64 decibels
Certifications	MET US/C UL 507
Construction	High grade steel Microbial powder coating Aluminum wheel base
Air Circulation	400 CFM Air intake matches air exhaust 360-degree vortex air flow over a large surface area.
Cleaning	Wipe down entire machine with antibiotic cleaner
Dimensions	22"W x 37"H 62lbs