

MI POD





ASSEMBLY GUIDE FOR MIPOD

CONTENTS

CONTENTS	1	MOVING YOUR MIPOD	7
INTRODUCTION	2	SAFETY CHECKLIST	8
KNOW YOUR MIPOD	3	SPECIFICATIONS	9
SAFETY DOS AND DON'TS	4	NOTES	10
ASSEMBLY STEPS 1 & 2	5		
ASSEMBLY STEPS 3 & 4	6		

INTRODUCTION

MiPOD is a versatile and high quality podium designed in accordance with the latest testing and quality standards.

Our priority is to help ensure the safe operation of our products, so please pay particular attention to the safety tips on page 4.

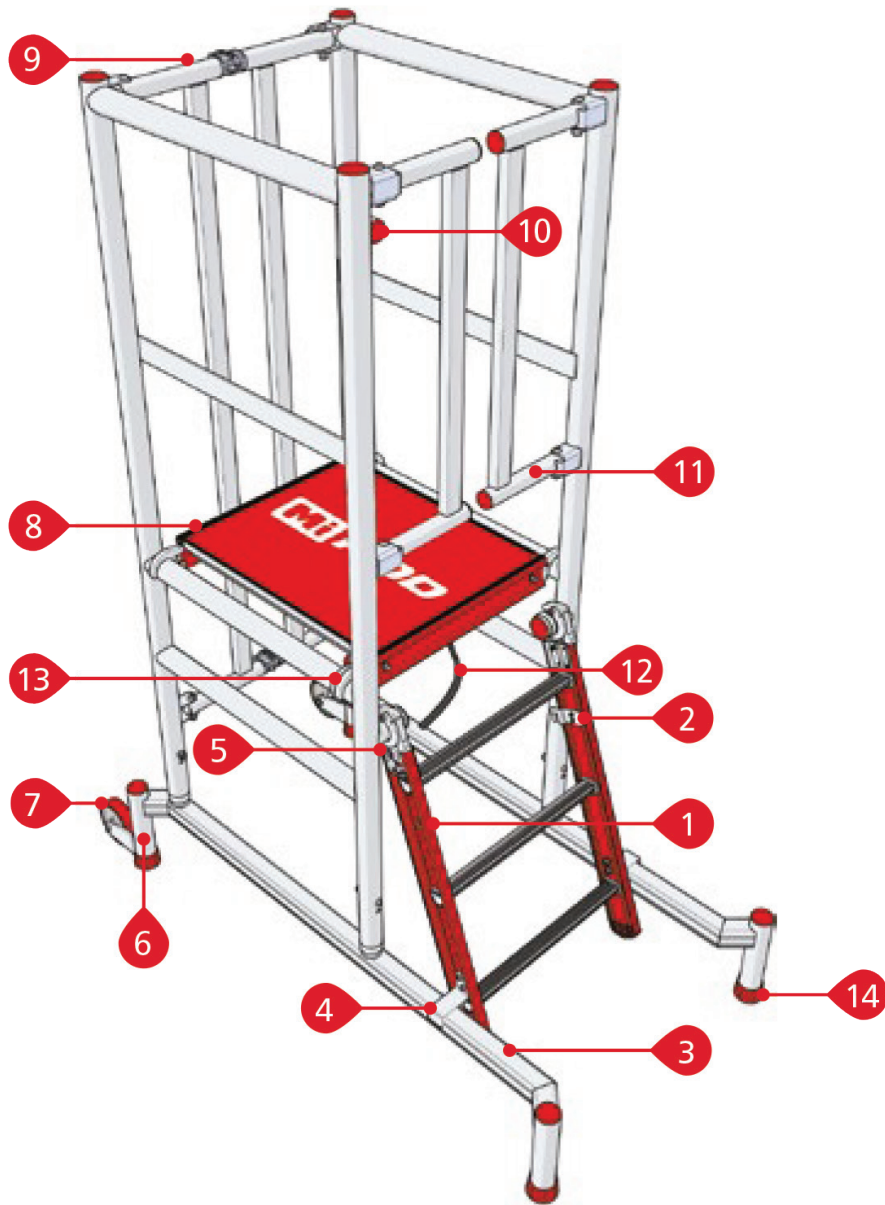
We want you to enjoy the safe use of your MiPOD with the minimum of fuss. This guide is designed for both MiPOD's, the 1000 and 1500, and will get you up and running as quickly and as safely as possible. Scan this QR code to view the video of MiPOD in operation.



www.popupproducts.co.uk/videos/mipod

Visit PASMA and HSE for further reference.

KNOW YOUR MiPOD



PARTS LISTING

1	LADDER	8	PLATFORM
2	LADDER TRANSPORT HOOK	9	FOLDING SECTION
3	PODIUM FRAME	10	PLATFORM HOOK TRANSPORT TUBE
4	LADDER ATTACHMENT BRACKET	11	GATE
5	LADDER ATTACHMENT HOOK	12	TRANSPORT STRAP
6	FOOT	13	PLATFORM LOCK
7	WHEEL	14	ANTI-SURF PAD

SAFETY DOS AND DON'TS

DO



Read the instructions



Inspect before use



Only ascend or descend the LLWP using the access provided



Face the access when ascending and descending

DON'T



Do not use on loose or slippery surfaces



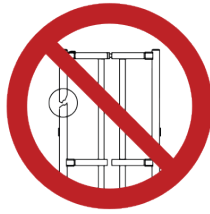
Never more than one person



Do not overreach



Never stand on the side protection or use boxes, stepladders or other objects to gain height



Do not use damaged equipment



Do not use on sloping or uneven surfaces



Never work near power lines or other electrical equipment



Never use as a means of access to another place



Never stand on the access ladder to work



Never move when a person is standing on a work platform

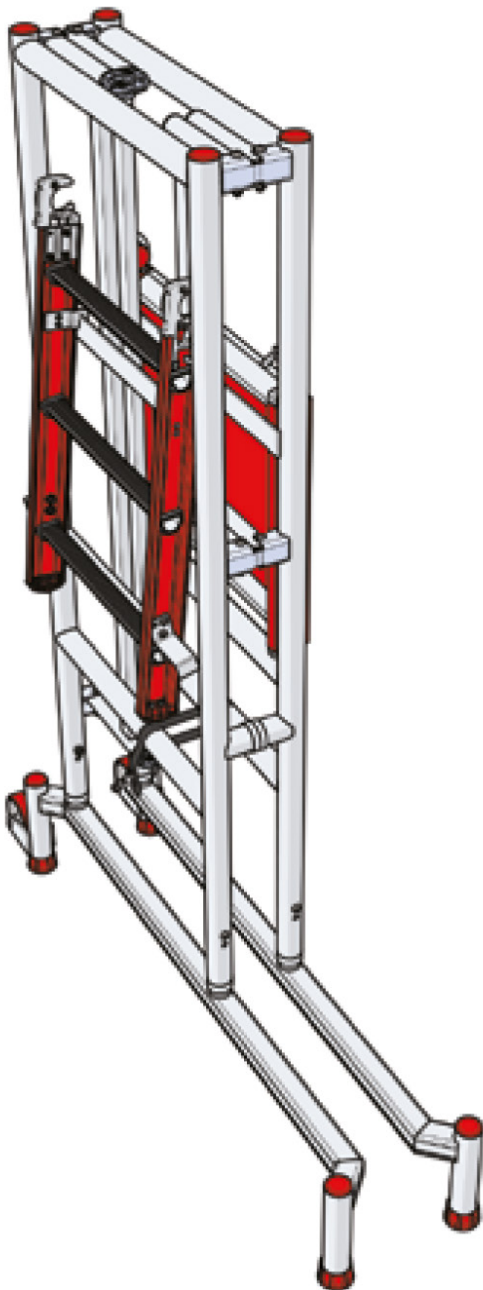


Beware of finger traps where these potentially exist

ASSEMBLY STEPS 1 & 2

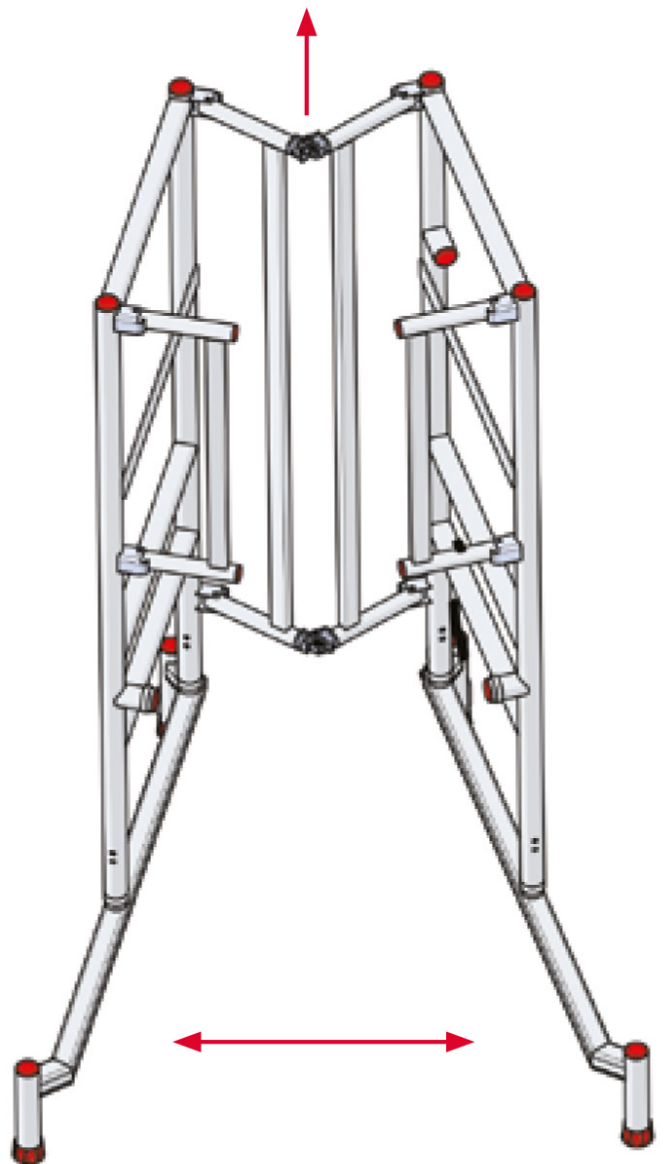
STEP 1

Remove both the platform and ladder from the transport locations and retain for later.
Undo the transport strap.



STEP 2

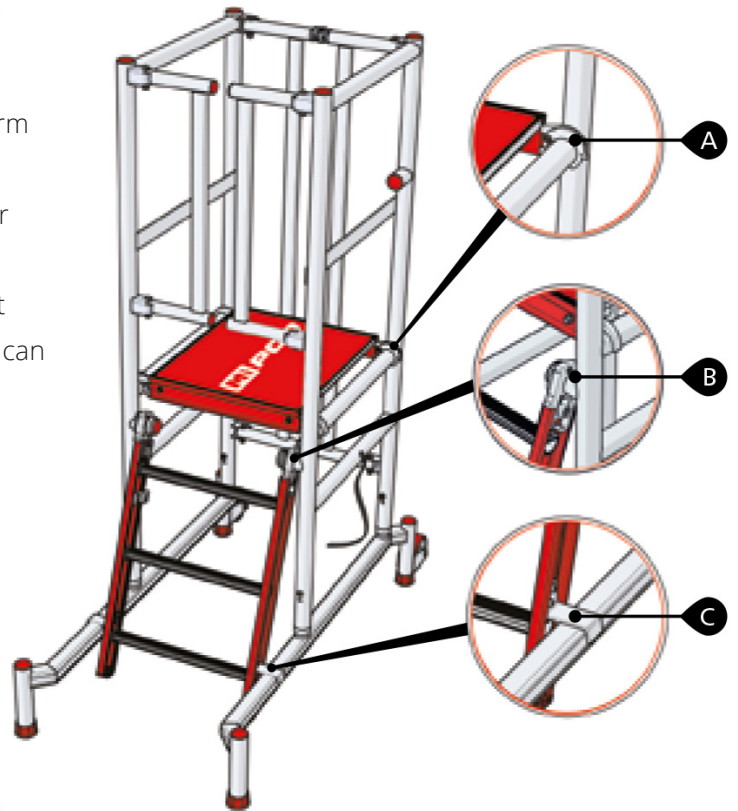
Open out the front of your MiPOD enough to gain access to the folding section. With both hands, push the folding section and ensure the locking joints engage.



ASSEMBLY STEPS 3 & 4

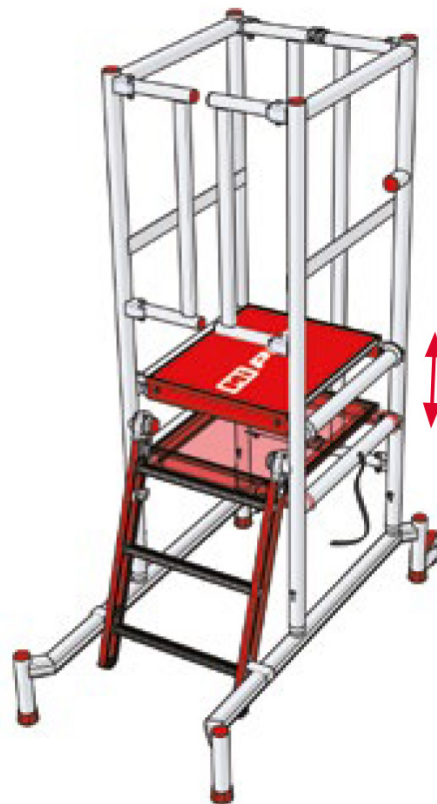
STEP 3

Assemble your MiPOD as shown by positioning the platform at the desired level and ensuring both platform locks are engaged around the tube (A). Attach the ladder by connecting the ladder hooks onto the ladder attachment tubes (B) and finally engaging the ladder attachment brackets over the baseframe (C). Carry out inspection of the unit using the Safety Checklist which can be found on page 8.



STEP 4

Your MiPOD 1000 platform can be moved between the upper level of 1000mm and the lower level of 750mm. Your MiPOD 1500 platform can be moved between the upper level of 1500mm and the lower level of 1250mm. To move the platform, disengage the platform locks on the platform hooks, lift, then slide the platform out of your MiPOD and reposition it at the desired level. Re-engage the platform locks.



MOVING YOUR MiPOD

To move your MiPOD once built, simply tilt it onto the wheels by lifting the feet at the ladder end of the unit.

MiPOD has a natural balance point and this makes it easy to manoeuvre once it is in this 'wheelbarrow' position.

When in position at the work area, simply lower the unit onto its feet and check all components before use.



SAFETY CHECKLIST

6 POINT PRE-USE CHECKLIST FOR USERS

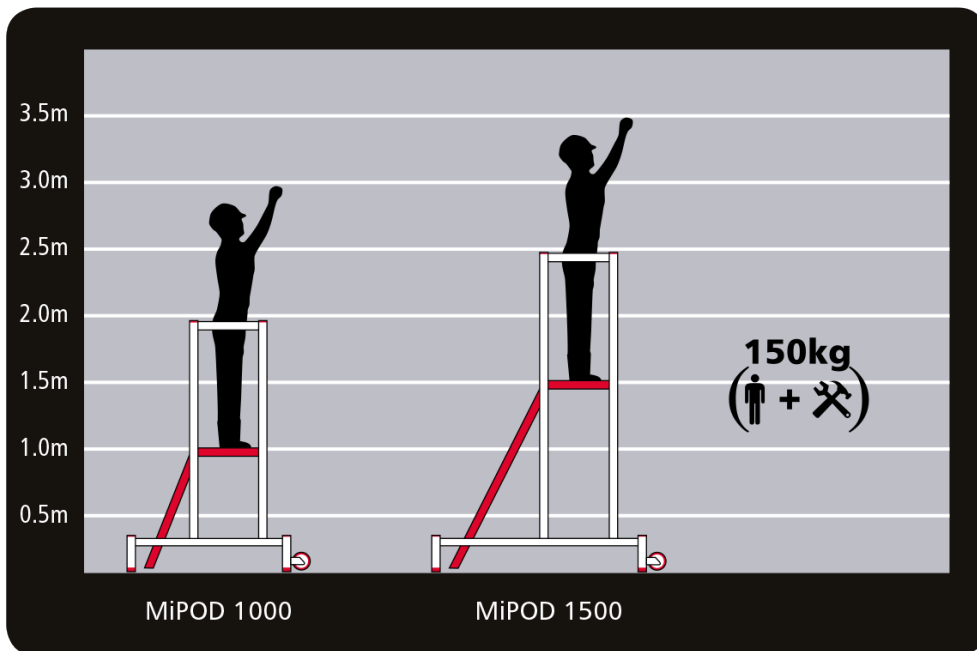
1	COMPONENTS	Check carefully to ensure there is no damage.
2	ENVIRONMENT	Check your MiPOD is located on level ground.
3	PLATFORM	Check it is securely located.
4	LADDER	Check it is attached correctly.
5	LOCKING JOINTS	Check they have been fully engaged.
6	GUIDE	Ensure you understand this assembly guide.

DAMAGED COMPONENTS

1	DAMAGED COMPONENTS	DO NOT use damaged components in your MiPOD structure. Damaged components found during inspection must be quarantined until assessed and repaired by a qualified repairer or replaced with new components.
----------	---------------------------	--

SPECIFICATIONS

SPECIFICATIONS	MiPOD 1000	MiPOD 1500
OVERALL LENGTH (MM)	1490	1812
OVERALL WIDTH (MM)	780	1168
OVERALL HEIGHT (MM)	1980	2489
PLATFORM DIMENSIONS (MM)	625 x 510	625 x 510
LOWER PLATFORM HEIGHT (MM)	750	1250
UPPER PLATFORM HEIGHT (MM)	1000	1500
GROSS WEIGHT (KG)	55	35
ARTICULATED WEIGHT (KG)	28	17



PASMA
Member



ISO9001 : 2008
Certificate No.FM 513133



Member of TÜV NORD Group

NOTES



popupproducts.co.uk

+44 (0)1244 833 933

info@popupproducts.co.uk