

## DW15e 1.5T ELECTRIC DUMPER



**Emission-free thanks to electric drive, but with the same performance parameters as fuel powered units.**

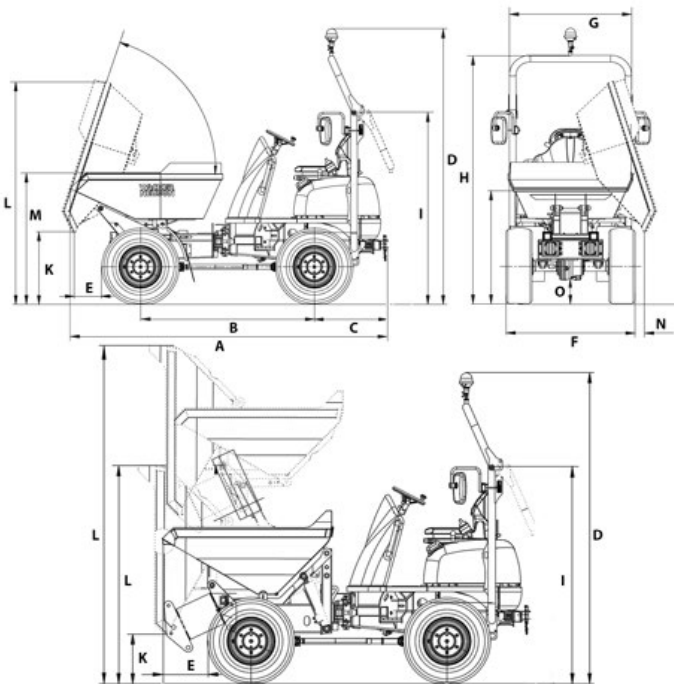
The electric drive makes this machine ideally suited to noise and emission sensitive areas. Such as in inner city areas and enclosed spaces.

The four-wheel drive makes the DW15e a perfect partner for uneven or steep terrain. And the articulated joint adapts to any unevenness, thus providing the necessary stability.

A folding roll bar and the small dimensions make it unbeatable when it comes to transport.

- Compact, high performance dumper
- Low noise, zero emissions
- Two single electric engines, one for the drive system and one for the hydraulics
- Energy recovery during braking and downhill driving

## DW15e 1.5T ELECTRIC DUMPER



	High tip skip	Swivel tip skip
A Overall length	3,300 mm	3,214 mm
B Wheelbase	1,755 mm	1,755 mm
C Rear overhang	746 mm	746 mm
D Height	2,777 mm	2,777 mm
E Dumping distance	375 mm	296 mm
F Width	1,304 mm	1,304 mm
G Skip width	1,198 mm	1,260 mm
H Height ROPS	2,535 mm	2,535 mm
I Height ROPS tipped	1,956 mm	1,956 mm
K Dump height max.	445 mm	740 mm
L Skip height	1,966 mm	2,276 mm
L Skip height High tip skip raised	3,038 mm	
M Skip height	1,308 mm	1,181 mm
N Dumping distance		118 mm
O Ground clearance	252 mm	252 mm
- Dump angle		72°

### Specifications

Operating data	High tip skip	Swivel tip skip
Payload kg	1,500	1,500
Shipping weight max. kg	1,950	1,900
Operating weight max. kg	3,525	3,475
Skip capacity level l	650	650
Skip capacity heaped l	800	800
Skip capacity water measure l	420	325
<b>Engine / Motor</b>		
Engine performance acc. to ISO 3046/1 kW	9	9
Lifting motor - capacity kW	9	9
Engine RPM rpm	2500	2500
Travel drive motor - capacity kW	6.5	6.5
Engine RPM rpm	6000	6000
Travel speed max. km/h	14	14
Pendulum angle °	15	15
Turning radius mm	3,650	3,650
L mm	3,300	3,300
W mm	1,322	1,322
H mm	2,550	2,550
Steering pump	gear pump	gear pump
Flow rate l/min	10	10
Operating pressure bar	140	140
Duty pump	gear pump	gear pump
Flow rate l/min	16.8	16.8
Operating pressure bar	175	175
Sound level (LwA) dB(A)	86.2	86.2
Specified sound pressure level		
LpA Kabine dB(A)	58	58
<b>Battery</b>		
Type of battery	48V 3 TCSV 300	48V 3 TCSV 300
Battery weight (± 5 %) kg	470	470
Rated capacity K5 Ah	300	300
Charging time h	8	8
Runtime min. h	3.5	3.5
Runtime max. h	6.5	6.5
Battery V	48	48