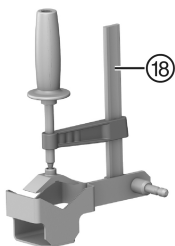
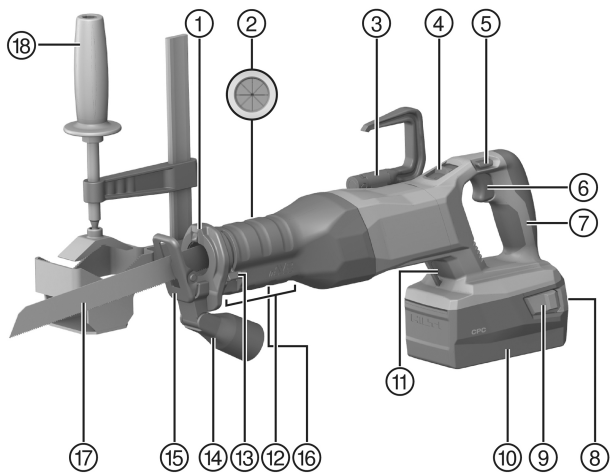


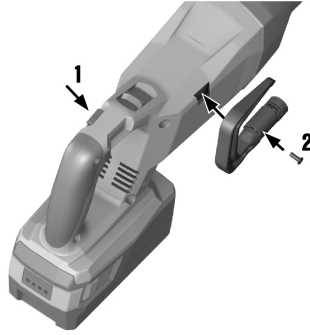


SR 30-A36

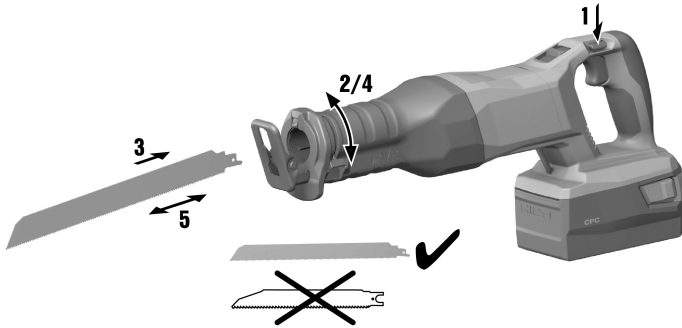
English	1
Français	12
Dansk	24
Svenska	35
Norsk	46
Suomi	57
Eesti	68
Latviešu	79
Lietuvių	91
Русский	102
Українська	115
Қазақ	128
Türkçe	141
عربي	152
日本語	164
한국어	175
繁體中文	186
中文	196



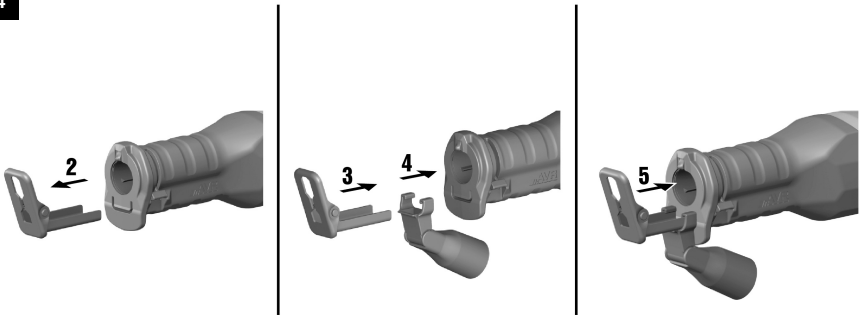
2



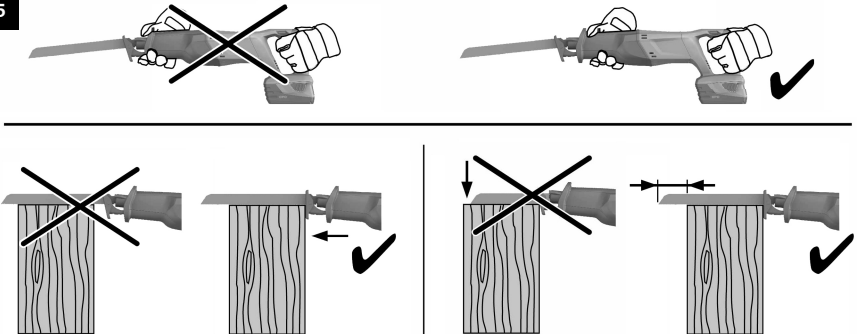
3



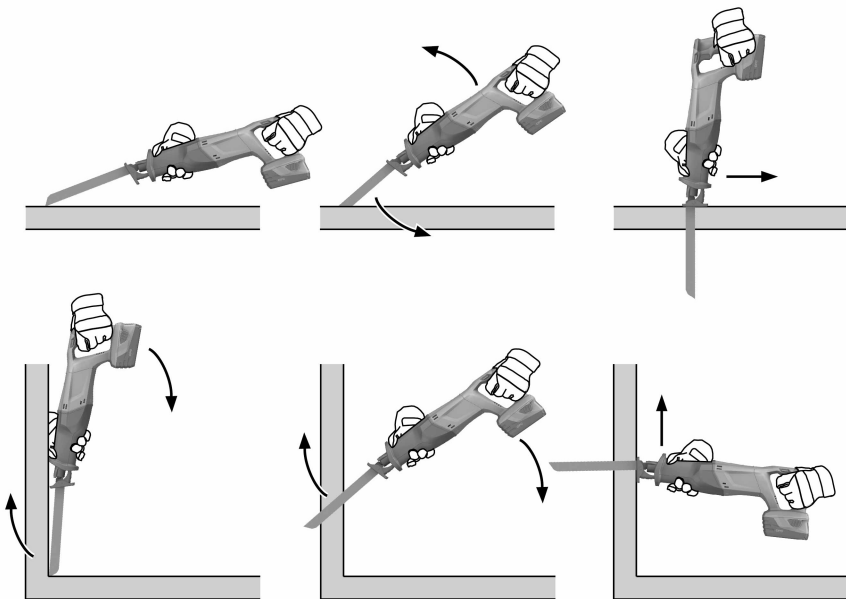
4



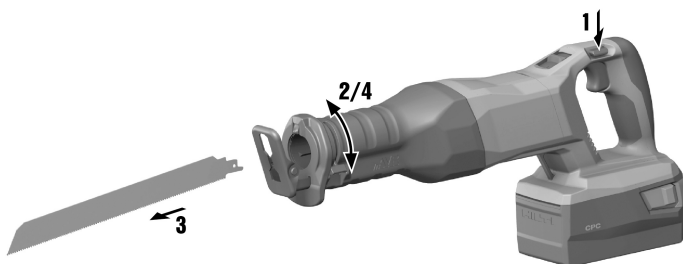
5



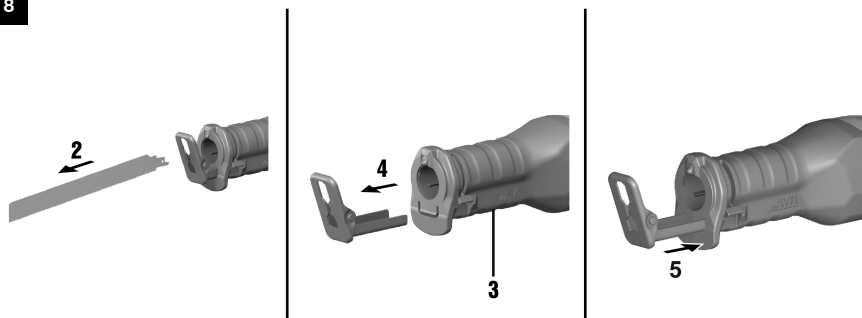
6



7



8



# SR 30-A36

en	Original operating instructions	1
fr	Mode d'emploi original	12
da	Original brugsanvisning	24
sv	Originalbruksanvisning	35
no	Original bruksanvisning	46
fi	Alkuperäiset ohjeet	57
et	Originaalkasutusjuhend	68
lv	Originālā lietošanas instrukcija	79
lt	Originali naudojimo instrukcija	91
ru	Перевод оригинального руководства по эксплуатации	102
uk	Оригінальна інструкція з експлуатації	115
kk	Түпнұсқа пайдалану бойынша нұсқаулық	128
tr	Orijinal kullanım kılavuzu	141
ar	دليل الاستعمال الأصلي	152
ja	オリジナル取扱説明書	164
ko	오리지널 사용 설명서	175
zh	原始操作說明	186
cn	原版操作说明	196



# 1 Information about the documentation

## 1.1 About this documentation

- Read this documentation before initial operation or use. This is a prerequisite for safe, trouble-free handling and use of the product.
- Observe the safety instructions and warnings in this documentation and on the product.
- Always keep the operating instructions with the product and make sure that the operating instructions are with the product when it is given to other persons.

## 1.2 Explanation of symbols used

### 1.2.1 Warnings

Warnings alert persons to hazards that occur when handling or using the product. The following signal words are used:

#### DANGER

##### DANGER !

- ▶ Draws attention to imminent danger that will lead to serious personal injury or fatality.

#### WARNING

##### WARNING !

- ▶ Draws attention to a potential threat of danger that can lead to serious injury or fatality.





#### CAUTION

##### CAUTION !

- ▶ Draws attention to a potentially dangerous situation that could lead to slight personal injury or damage to the equipment or other property.


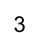


### 1.2.2 Symbols in the documentation

The following symbols are used in this document:

	Read the operating instructions before use.
	Instructions for use and other useful information
	Dealing with recyclable materials
	Do not dispose of electric equipment and batteries as household waste

### 1.2.3 Symbols in the illustrations

The following symbols are used in illustrations:

	These numbers refer to the corresponding illustrations found at the beginning of these operating instructions
	The numbering reflects the sequence of operations shown in the illustrations and may deviate from the steps described in the text
	Item reference numbers are used in the <b>overview illustrations</b> and refer to the numbers used in the <b>product overview section</b>
	This symbol is intended to draw special attention to certain points when handling the product.

## 1.3 Product-dependent symbols

### 1.3.1 Symbols on the product

The following symbols can be used on the product:



	Direct current (DC)
$n_0$	Stroke rate under no load
	Wireless data transfer
Li-Ion	Li-ion battery
	<b>Hilti Li-ion battery type series used. Observe the information given in the section headed <b>Intended use</b>.</b>

## 1.4 Product information

products are designed for professional users and only trained, authorized personnel are permitted to operate, service and maintain the products. This personnel must be specifically informed about the possible hazards. The product and its ancillary equipment can present hazards if used incorrectly by untrained personnel or if used not in accordance with the intended use.

The type designation and serial number are printed on the rating plate.

- ▶ Write down the serial number in the table below. You will be required to state the product details when contacting Hilti Service or your local Hilti organization to inquire about the product.

### Product information

Reciprocating saw	SR 30-A36
Generation	01
Serial no.	

## 1.5 Declaration of conformity

We declare, on our sole responsibility, that the product described here complies with the applicable directives and standards. A copy of the declaration of conformity can be found at the end of this documentation.

The technical documentation is filed here:

Hilti Entwicklungsgesellschaft mbH | Tool Certification | Hiltistrasse 6 | 86916 Kaufering, Germany

## 2 Safety

### 2.1 General power tool safety warnings

**⚠ WARNING Read all safety warnings, instructions, illustrations and specifications provided with this power tool.** Failure to follow all instructions listed below may result in electric shock, fire and/or serious injury. **Save all warnings and instructions for future reference.**

The term "power tool" in the warnings refers to your mains-operated (corded) power tool or battery-operated (cordless) power tool.

#### Work area safety

- ▶ **Keep work area clean and well lit.** Cluttered or dark areas invite accidents.
- ▶ **Do not operate power tools in explosive atmospheres, such as in the presence of flammable liquids, gases or dust.** Power tools create sparks which may ignite the dust or fumes.
- ▶ **Keep children and bystanders away while operating a power tool.** Distractions can cause you to lose control.

#### Electrical safety

- ▶ **Power tool plugs must match the outlet. Never modify the plug in any way. Do not use any adapter plugs with earthed (grounded) power tools.** Unmodified plugs and matching outlets will reduce risk of electric shock.
- ▶ **Avoid body contact with earthed or grounded surfaces, such as pipes, radiators, ranges and refrigerators.** There is an increased risk of electric shock if your body is earthed or grounded.
- ▶ **Do not expose power tools to rain or wet conditions.** Water entering a power tool will increase the risk of electric shock.
- ▶ **Do not abuse the cord. Never use the cord for carrying, pulling or unplugging the power tool. Keep cord away from heat, oil, sharp edges or moving parts.** Damaged or entangled cords increase the risk of electric shock.





- ▶ **When operating a power tool outdoors, use an extension cord suitable for outdoor use.** Use of a cord suitable for outdoor use reduces the risk of electric shock.
- ▶ **If operating a power tool in a damp location is unavoidable, use a residual current device (RCD) protected supply.** Use of an RCD reduces the risk of electric shock.

#### Personal safety

- ▶ **Stay alert, watch what you are doing and use common sense when operating a power tool. Do not use a power tool while you are tired or under the influence of drugs, alcohol or medication.** A moment of inattention while operating power tools may result in serious personal injury.
- ▶ **Use personal protective equipment. Always wear eye protection.** Protective equipment such as a dust mask, non-skid safety shoes, hard hat or hearing protection used for appropriate conditions will reduce personal injuries.
- ▶ **Prevent unintentional starting. Ensure the switch is in the off-position before connecting to power source and/or battery pack, picking up or carrying the tool.** Carrying power tools with your finger on the switch or energising power tools that have the switch on invites accidents.
- ▶ **Remove any adjusting key or wrench before turning the power tool on.** A wrench or a key left attached to a rotating part of the power tool may result in personal injury.
- ▶ **Do not overreach. Keep proper footing and balance at all times.** This enables better control of the power tool in unexpected situations.
- ▶ **Dress properly. Do not wear loose clothing or jewellery. Keep your hair, clothing and gloves away from moving parts.** Loose clothes, jewellery or long hair can be caught in moving parts.
- ▶ **If devices are provided for the connection of dust extraction and collection facilities, ensure these are connected and properly used.** Use of dust collection can reduce dust-related hazards.
- ▶ **Do not let familiarity gained from frequent use of tools allow you to become complacent and ignore tool safety principles.** A careless action can cause severe injury within a fraction of a second.

#### Power tool use and care

- ▶ **Do not force the power tool. Use the correct power tool for your application.** The correct power tool will do the job better and safer at the rate for which it was designed.
- ▶ **Do not use the power tool if the switch does not turn it on and off.** Any power tool that cannot be controlled with the switch is dangerous and must be repaired.
- ▶ **Disconnect the plug from the power source and/or remove the battery pack, if detachable, from the power tool before making any adjustments, changing accessories, or storing power tools.** Such preventive safety measures reduce the risk of starting the power tool accidentally.
- ▶ **Store idle power tools out of the reach of children and do not allow persons unfamiliar with the power tool or these instructions to operate the power tool.** Power tools are dangerous in the hands of untrained users.
- ▶ **Maintain power tools and accessories. Check for misalignment or binding of moving parts, breakage of parts and any other condition that may affect the power tool's operation. If damaged, have the power tool repaired before use.** Many accidents are caused by poorly maintained power tools.
- ▶ **Keep cutting tools sharp and clean.** Properly maintained cutting tools with sharp cutting edges are less likely to bind and are easier to control.
- ▶ **Use the power tool, accessories and tool bits etc. in accordance with these instructions, taking into account the working conditions and the work to be performed.** Use of the power tool for operations different from those intended could result in a hazardous situation.
- ▶ **Keep handles and grasping surfaces dry, clean and free from oil and grease.** Slippery handles and grasping surfaces do not allow for safe handling and control of the tool in unexpected situations.

#### Battery tool use and care

- ▶ **Recharge only with the charger specified by the manufacturer.** A charger that is suitable for one type of battery pack may create a risk of fire when used with another battery pack.
- ▶ **Use power tools only with specifically designated battery packs.** Use of any other battery packs may create a risk of injury and fire.
- ▶ **When battery pack is not in use, keep it away from other metal objects, like paper clips, coins, keys, nails, screws or other small metal objects, that can make a connection from one terminal to another.** Shorting the battery terminals together may cause burns or a fire.
- ▶ **Under abusive conditions, liquid may be ejected from the battery; avoid contact. If contact accidentally occurs, flush with water. If liquid contacts eyes, additionally seek medical help.** Liquid ejected from the battery may cause irritation or burns.
- ▶ **Do not use a battery pack or tool that is damaged or modified.** Damaged or modified batteries may exhibit unpredictable behaviour resulting in fire, explosion or risk of injury.



- ▶ **Do not expose a battery pack or tool to fire or excessive temperature.** Exposure to fire or temperature above 130° C (265 °F) may cause explosion.
- ▶ **Follow all charging instructions and do not charge the battery pack or tool outside the temperature range specified in the instructions.** Charging improperly or at temperatures outside the specified range may damage the battery and increase the risk of fire.

#### Service

- ▶ **Have your power tool serviced by a qualified repair person using only identical replacement parts.** This will ensure that the safety of the power tool is maintained.
- ▶ **Never service damaged battery packs.** Service of battery packs should only be performed by the manufacturer or authorized service providers.

## 2.2 Additional safety instructions for saws with reciprocating saw blade

- ▶ **Hold the power tool by the insulated gripping surfaces when performing work in which the accessory tool might come into contact with concealed wiring.** If the accessory tool comes into contact with a live wire, metal parts of the power tool can also become live, resulting in an electric shock.
- ▶ **Use clamps or some other suitable means to firmly secure the workpiece to a stable supporting surface.** Holding the workpiece only by hand or against your body leaves it unstable, which can lead to loss of control.

## 2.3 Additional safety instructions for saws

### Personal safety

- ▶ Keep your hands away from the cutting area and the blade. Keep your second hand on the auxiliary handle or the motor housing. When both hands are on the saw they cannot be injured by it.
- ▶ Use the product only when it is in perfect working order.
- ▶ Never tamper with or modify the power tool in any way.
- ▶ Wear protective gloves also when changing the accessory tool. Touching the accessory tool presents a risk of injury (cuts or burns).
- ▶ Before starting work, check the hazard class of the dust that will be produced when working. Use an industrial vacuum cleaner with an officially approved protection class in compliance with the locally applicable dust protection regulations. Dust from materials such as lead-based paint, certain types of wood and concrete/masonry/stone containing quartz, minerals or metal can be harmful to health.
- ▶ Make sure that the workplace is well ventilated and, if necessary, wear a respirator appropriate for the type of dust generated. Contact with or inhalation of the dust can cause allergic reactions and/or respiratory or other diseases among operators or bystanders. Only specialists are permitted to handle material containing asbestos.
- ▶ Do not reach underneath the workpiece.
- ▶ Never hold the workpiece with your hand or across your leg. Secure the workpiece in a sturdy holder.
- ▶ Always hold the power tool firmly with both hands on the handles provided for the purpose and position your arms to absorb kickback forces.
- ▶ Keep the grips clean and dry.
- ▶ Position yourself off to one side of the blade, never bring the blade into line with your body. The saw can jump backward toward you if kickback occurs.
- ▶ If the saw blade binds or when you interrupt work for any reason, switch off the saw and hold it motionless in the material until the saw blade comes to a complete stop. Never attempt to remove the saw from the workpiece or pull the saw back while the blade is in motion, as otherwise the saw could kick back.
- ▶ When restarting a saw in the workpiece, center the saw blade in the kerf and check that saw teeth are not in engagement with the workpiece.
- ▶ Use extra caution when sawing into walls or other blind areas. As it enters the material the blade might encounter a hidden obstruction, resulting in kickback.

### Electrical safety

- ▶ Before beginning work, check the working area for concealed electric cables or gas and water pipes. External metal parts of the power tool can become live, presenting a risk of electric shock, if you accidentally damage an electric cable.
- ▶ Hold the power tool by the insulated gripping surfaces when performing work in which the accessory tool might come into contact with concealed wiring. If the accessory tool comes into contact with a live wire, metal parts of the power tool can also become live, resulting in an electric shock.



## Power tool use and care

- ▶ Do not use dull or damaged blades. These cause increased friction and present a high risk of the saw blade binding or kicking back.
- ▶ Comply with the manufacturer's instructions for handling and storing saw blades.
- ▶ The product must be pressed against the workpiece until the contact shoe makes firm contact. This ensures optimum and safe progress as you work.
- ▶ Wear suitable protective clothing as protection against hot particles of material.

### 2.4 Additional safety instructions

- ▶ Use the product only when it is in perfect working order.
- ▶ Never tamper with or modify the power tool in any way.
- ▶ Do not use dull or damaged blades. These cause increased friction and present a high risk of the saw blade binding or kicking back.
- ▶ Before beginning work, check the working area for concealed electric cables or gas and water pipes. External metal parts of the power tool can become live, presenting a risk of electric shock, if you accidentally damage an electric cable.
- ▶ Secure the workpiece in a sturdy holder. Never hold the workpiece with your hand or across your leg.
- ▶ Switch the product on only after bringing it to the working position.
- ▶ When working with the power tool, always guide it away from your body.
- ▶ Apply only moderate pressure and cut at an appropriate speed, especially when cutting large-diameter pipes. This will help to prevent the power tool overheating.
- ▶ Before cutting through pipes, make sure that they are empty of medium. Drain the pipes if necessary.
- ▶ When cutting through pipes, hold the power tool above the level of the pipe you are cutting through.
  - ↳ The power tool is not protected against ingress of moisture. Liquid running out of a pipe can cause a short circuit in the power tool.
- ▶ Never cut into unknown materials and make sure the path of the saw is free of obstructions above and below the workpiece.
  - ↳ The power tool can kick back if the saw blade comes into contact with an obstructing object.
- ▶ Wear protective gloves also when changing the accessory tool. Touching the accessory tool presents a risk of injury (cuts or burns).
- ▶ Always remove the battery when the power tool is not in use, before maintenance, before changing accessory tools and before transport.
- ▶ Engage the transport lock before storing or transporting the power tool.
- ▶ Comply with the manufacturer's instructions for handling and storing saw blades.
- ▶ The user and any other persons in the vicinity must wear suitable eye protection, a hard hat, ear protection, protective gloves and breathing protection while the power tool is in use.
- ▶ Always use a saw blade of appropriate length. The saw blade must project past the workpiece throughout the entire stroke.
- ▶ Take breaks between working and do relaxation and finger exercises to improve the blood circulation in your fingers.
- ▶ Do not look directly into the light source (LEDs) of the power tool and do not aim the beam at other persons' faces. Risk of dazzling or eye damage.
- ▶ Flying fragments can injure the body and eyes. Wear your personal protective equipment and always wear protective glasses and protective gloves.
- ▶ If work involves break-through, always secure the area on the side opposite where the work is carried out.

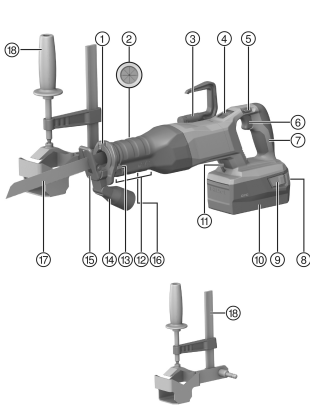
### 2.5 Battery use and care

- ▶ Observe the special regulations and instructions applicable to the transport, storage and use of Li-ion batteries.
- ▶ Do not expose batteries to high temperatures, direct sunlight or fire.
- ▶ Do not disassemble, crush or incinerate batteries and do not subject them to temperatures over 80 °C.
- ▶ Do not use or charge batteries that have suffered mechanical impact, have been dropped from a height or show signs of damage. In this case, always contact your **Hilti Service**.
- ▶ If the battery is too hot to touch it may be defective. In this case, place the product in a non-flammable location, well away from flammable materials, where it can be kept under observation and allowed to cool down. In this case, always contact your **Hilti Service**.



### 3 Description

#### 3.1 Product overview



- ① Blade holder
- ② Mount for cutting assist
- ③ Folding scaffold hook
- ④ Speed preselection
- ⑤ Safety lock
- ⑥ Control switch
- ⑦ Rear grip
- ⑧ Battery state of charge indicator
- ⑨ Battery release button
- ⑩ Battery
- ⑪ Attachment eye for lanyard
- ⑫ Front gripping area
- ⑬ Saw blade release lever
- ⑭ Dust removal adapter (USA: accessory)
- ⑮ Contact shoe
- ⑯ Release button for contact shoe
- ⑰ Saw blade
- ⑱ Cutting assist (accessory)

#### 3.2 Intended use

The product described is a cordless reciprocating saw. It is designed for cutting wood, wood-like materials, metals and plastics.

The product is designed for two-handed operation.

- ▶ Use only **Hilti** Li-ion batteries from the B 36 series with this product.
- ▶ Use only **Hilti** battery chargers from the C4/36 series for these batteries.

#### 3.3 Possible misuse

- ▶ Do not use the power tool to cut bricks, concrete, cellular concrete, natural stone or tiles.
- ▶ Do not use the product to cut pipes containing liquids.
- ▶ Do not saw into unknown materials.

#### 3.4 Lithium-ion battery status display

The Li-ion battery state of charge and malfunctions of the power tool are indicated by the display on the Li-ion battery. The Li-ion battery state of charge is displayed after pressing one of the two battery release buttons.

Status	Meaning
4 LEDs light.	State of charge: 75 % to 100 %
3 LEDs light.	State of charge: 50 % to 75 %
2 LEDs light.	State of charge: 25 % to 50 %
1 LED lights.	State of charge: 10 % to 25 %
1 LED blinks.	State of charge: < 10 %
1 LED blinks, the power tool is not ready for use.	The battery has overheated or is completely discharged.
4 LEDs blink, the power tool is not ready for use.	The power tool is overloaded or has overheated.



Battery state of charge cannot be displayed while the control switch is pressed and for up to 5 seconds after releasing the control switch.

If the battery display LEDs blink, please observe the instructions given in the Troubleshooting section.



### 3.5 Items supplied

Reciprocating saw, operating instructions.

Other system products approved for use with this product can be found at your local **Hilti Store** or at: [www.hilti.group](http://www.hilti.group).

## 4 Technical data

	SR 30-A36
Rated voltage	36 V
Weight in accordance with EPTA procedure 01	5.2 kg
Stroke rate (Stage 1)	2,000 /min
Stroke rate (Stage 2)	2,800 /min
Stroke length	32 mm
Blade holder	0.5 in
Ambient temperature for operation	-17 °C ... 60 °C
Storage temperature	-20 °C ... 70 °C

### 4.1 Noise information and vibration values in accordance with EN 62841

The sound pressure and vibration values given in these instructions were measured in accordance with a standardized test and can be used to compare one power tool with another. They can also be used for a preliminary assessment of exposure.

The data given represent the main applications of the power tool. However, if the power tool is used for different applications, with different accessory tools, or is poorly maintained, the data can vary. This can significantly increase exposure over the total working period.

An accurate estimation of exposure should also take into account the times when the tool is switched off, or when it is running but not actually being used for a job. This can significantly reduce exposure over the total working period.

Identify additional safety measures to protect the operator from the effects of noise and/or vibration, for example: maintaining the power tool and accessory tools, keeping the hands warm, organization of work patterns.

#### Noise information

	SR 30-A36
Sound power level ( $L_{WA}$ )	96 dB(A)
Uncertainty for the sound power level ( $K_{WA}$ )	5 dB(A)
Sound pressure level ( $L_{pA}$ )	85 dB(A)
Uncertainty for the sound pressure level ( $K_{pA}$ )	5 dB(A)

#### Total vibration

	SR 30-A36
Vibration emission value for sawing chipboard ( $a_{h,B}$ )	22.5 m/s <sup>2</sup>
Uncertainty sawing chipboard (K)	3.7 m/s <sup>2</sup>
Vibration emission value for sawing wooden beams ( $a_{h,WB}$ )	20.5 m/s <sup>2</sup>
Uncertainty sawing wooden beams (K)	3.3 m/s <sup>2</sup>

### 4.2 Battery

Battery operating voltage	36 V
Ambient temperature for operation	-17 °C ... 60 °C
Storage temperature	-20 °C ... 40 °C
Battery charging starting temperature	-10 °C ... 45 °C



## 5 Preparations at the workplace

---

### CAUTION

#### **Risk of injury by inadvertent starting!**

- ▶ Before inserting the battery, make sure that the product is switched off.
  - ▶ Remove the battery before making any adjustments to the power tool or before changing accessories.
- 

Observe the safety instructions and warnings in this documentation and on the product.

### 5.1 Charging the battery

1. Before charging the battery, read the operating instructions for the charger.
2. Make sure that the contacts on the battery and the contacts on the charger are clean and dry.
3. Use an approved charger to charge the battery.

### 5.2 Inserting the battery

#### CAUTION

#### **Risk of injury by short circuit or falling battery!**

- ▶ Before inserting the battery, make sure that the contacts on the battery and the contacts on the product are free of foreign matter.
  - ▶ Make sure that the battery always engages correctly.
- 

1. Charge the battery fully before using it for the first time.
2. Push the battery into the battery holder until it engages with an audible click.
3. Check that the battery is seated securely.


### 5.3 Removing the battery

1. Press the release buttons on the battery.
2. Pull the battery out of its holder in the device.

### 5.4 Installing the scaffold hook (accessory)

1. Engage the transport lock.
2. Install the scaffold hook.

### 5.5 Inserting the saw blade

 Use only saw blades with a 1/2" connection end.

---

1. Activate the transport lock or separate the battery from the power tool.
2. Check that the connection end of the accessory tool is clean and lightly greased. Clean it and grease it if necessary.
3. Push the locking lever up as far as it will go and hold it in this position.
4. Push the saw blade into the chuck from in front.
5. Allow the locking lever to return to its original position.
6. Grip and pull the saw blade to check that it is locked in position.

### 5.6 Installing the dust removal adapter (USA: accessory)

1. Pull the contact shoe out.
2. Set the dust removal adapter on the contact shoe mount.
3. Insert the lightly greased contact shoe fully into the guide.



## 6 Operation

### CAUTION

#### Risk of injury by short circuit or falling battery!

- ▶ Before inserting the battery, make sure that the contacts on the battery and the contacts on the product are free of foreign matter.
- ▶ Make sure that the battery always engages correctly.

Observe the safety instructions and warnings in this documentation and on the product.

### 6.1 Guiding the saw

1. Hold the saw by the grips provided for the purpose.
2. Guide the saw to the workpiece.
3. Guide the saw forward and back.
  - ↳ If you press the saw against the workpiece there is a risk of the saw blade breaking and causing injuries.

### 6.2 Sawing

### WARNING

#### Risk of injury by defective scaffold hook! A falling tool could injure you or others.

- ▶ Before starting work, check that the scaffold hook is secure and undamaged.
1. Disengage the transport lock and press the control switch.
    - ↳ The graphics section illustrates various ways of guiding the saw effectively.
  2. Release the control switch when you finish the cut.
  3. Engage the transport lock.

### 6.3 Removing the saw blade

### CAUTION

#### Risk of injury! The accessory tool may be hot and/or have sharp edges.

- ▶ Wear protective gloves when changing the accessory tool.
  - ▶ Never lay down a hot accessory tool on a flammable surface.
1. Engage the transport lock or remove the battery from the power tool.
  2. Push the locking lever up as far as it will go and hold it in this position.
  3. Pull the blade forward out of the blade holder.
  4. Allow the locking lever to return to its original position.

## 7 Care and maintenance

### WARNING

#### Risk of injury with battery inserted !

- ▶ Always remove the battery before carrying out care and maintenance tasks!

#### Care and maintenance of the tool

- Carefully remove stubborn dirt from the tool.
- Clean the air vents carefully with a dry brush.
- Use only a slightly damp cloth to clean the casing. Do not use cleaning agents containing silicone as these can attack the plastic parts.
- Clean and lubricate the chuck from the outside at regular intervals. Use the **Hilti** spray 314648 for this purpose.

#### Care of the Li-ion batteries

- Keep the battery free from oil and grease.
- Use only a slightly damp cloth to clean the casing. Do not use cleaning agents containing silicone as these can attack the plastic parts.



- Avoid ingress of moisture.

### Maintenance

- Check all visible parts and controls for signs of damage at regular intervals and make sure that they all function correctly.
- Do not operate the product if signs of damage are found or if parts malfunction. Have it repaired immediately by **Hilti Service**.
- After cleaning and maintenance, fit all guards or protective devices and check that they function correctly.

To help ensure safe and reliable operation, use only genuine Hilti spare parts and consumables. Spare parts, consumables and accessories approved by Hilti for use with the product can be found at your local **Hilti Store** or online at: [www.hilti.group](http://www.hilti.group).

## 7.1 Replacement of the contact shoe

The contact shoe can be replaced when necessary.

1. Remove the battery.
2. Remove the saw blade. → page 9
3. Press the red release button for the contact shoe on the underside of the reciprocating saw.
4. Pull the contact shoe out.
5. Press the red release button for the contact shoe on the underside of the reciprocating saw.
6. Insert the lightly greased contact shoe fully into the guide.
7. Check that the contact shoe has engaged.

## 8 Transport and storage of cordless tools

### Transport

#### CAUTION

#### Accidental starting during transport !

- ▶ Always transport your products with the batteries removed!
- ▶ Remove the battery.
- ▶ Never transport batteries in bulk form (loose, unprotected).
- ▶ Check the tool and batteries for damage before use after long periods of transport.

### Storage

#### CAUTION

#### Accidental damage caused by defective or leaking batteries !

- ▶ Always store your products with the batteries removed!
- ▶ Store the tool and batteries in a place that is as cool and dry as possible.
- ▶ Never store batteries in direct sunlight, on heating units or behind a window pane.
- ▶ Store the tool and batteries in a place where they cannot be accessed by children or unauthorized persons.
- ▶ Check the tool and batteries for damage before use after long periods of storage.

## 9 Troubleshooting

If the trouble you are experiencing is not listed in this table or you are unable to remedy the problem by yourself, please contact **Hilti Service**.

### 9.1 The reciprocating saw is not in working order

Trouble or fault	Possible cause	Action to be taken
The tool doesn't start.	The battery is not correctly inserted.	▶ Push the battery in until it engages with a click.
	The battery is empty.	▶ Charge the battery.





Trouble or fault	Possible cause	Action to be taken
The tool doesn't start.	The transport lock is engaged.	▶ Disengage the transport lock.
The saw blade cannot be removed from the chuck.	The locking lever was not pushed as far as it will go.	▶ Push the locking lever as far as it will go and remove the saw blade.
	Chuck clogged by residues from sawing operations.	▶ Remove the residues from sawing operations and regularly clean the chuck from the outside. Care of the power tool. → page 9

## 9.2 The reciprocating saw is in working order

Trouble or fault	Possible cause	Action to be taken
The tool does not develop full power.	The control switch is not fully pressed	▶ Press the control switch fully.
	The battery is discharged	▶ Change the battery and charge the empty battery.
The saw blade cannot be removed from the chuck.	The locking lever was not pushed as far as it will go.	▶ Push the locking lever as far as it will go and remove the saw blade.

## 10 Disposal

Most of the materials from which **Hilti** tools and appliances are manufactured can be recycled. The materials must be correctly separated before they can be recycled. In many countries, your old tools, machines or appliances can be returned to **Hilti** for recycling. Ask **Hilti** Service or your Hilti representative for further information.

### Battery disposal

Improper disposal of batteries can result in health hazards from leaking gases or fluids.

- ▶ DO NOT send batteries through the mail!
- ▶ Cover the terminals with a non-conductive material (such as electrical tape) to prevent short circuiting.
- ▶ Dispose of your battery out of the reach of children.
- ▶ Dispose of the battery at your **Hilti Store**, or consult your local governmental garbage disposal or public health and safety resources for disposal instructions.



- ▶ Do not dispose of power tools, electronic equipment or batteries as household waste!

## 11 RoHS (Restriction of Hazardous Substances)

Click on the link to go to the table of hazardous substances: [qr.hilti.com/r5962277](http://qr.hilti.com/r5962277).

There is a link to the RoHS table, in the form of a QR code, at the end of this document.

## 12 Manufacturer's warranty

- ▶ Please contact your local **Hilti** representative if you have questions about the warranty conditions.



## 1 Indications relatives à la documentation

### 1.1 À propos de cette documentation

- Lire intégralement la présente documentation avant la mise en service. C'est la condition préalablement requise pour assurer la sécurité du travail et un maniement sans perturbations.
- Bien respecter les consignes de sécurité et les avertissements de la présente documentation ainsi que celles figurant sur le produit.
- Toujours conserver le mode d'emploi à proximité du produit et uniquement le transmettre à des tiers avec ce mode d'emploi.

### 1.2 Explication des symboles

#### 1.2.1 Avertissements

Les avertissements attirent l'attention sur des dangers liés à l'utilisation du produit. Les termes de signalisation suivants sont utilisés :



**DANGER**

**DANGER !**

- Pour un danger imminent qui peut entraîner de graves blessures corporelles ou la mort.



**AVERTISSEMENT**

**AVERTISSEMENT !**

- Pour un danger potentiel qui peut entraîner de graves blessures corporelles ou la mort.



**ATTENTION**

**ATTENTION !**

- Pour attirer l'attention sur une situation pouvant présenter des dangers entraînant des blessures corporelles légères ou des dégâts matériels.

#### 1.2.2 Symboles dans la documentation

Les symboles suivants sont utilisés dans la présente documentation :



Lire le mode d'emploi avant d'utiliser l'appareil



Pour des conseils d'utilisation et autres informations utiles



Maniement des matériaux recyclables



Ne pas jeter les appareils électriques et les accus dans les ordures ménagères

#### 1.2.3 Symboles dans les illustrations

Les symboles suivants sont utilisés dans les illustrations :



Ces chiffres renvoient à l'illustration correspondante au début du présent mode d'emploi

3

La numérotation détermine la séquence des étapes de travail dans l'image et peut se différencier de celles des étapes de travail dans le texte



Les numéros de position sont utilisés dans l'illustration **Vue d'ensemble** et renvoient aux numéros des légendes dans la section **Vue d'ensemble du produit**



Ce signe doit inviter à manier le produit en faisant particulièrement attention.

### 1.3 Symboles spécifiques au produit

#### 1.3.1 Symboles sur le produit

Les symboles suivants peuvent être utilisés sur le produit :



	Courant continu
$n_0$	Cadence de coupe nominale
	Transmission de données sans fil
Li-Ion	Accu lithium-ions
	Série de type d'accu Li-Ion <b>Hilti</b> utilisée. Observer les instructions au chapitre <b>Utilisation conforme à l'usage prévu</b> .

## 1.4 Informations produit

Les produits sont destinés aux professionnels et ne doivent être utilisés, entretenus et réparés que par un personnel autorisé et formé. Ce personnel doit être spécialement instruit quant aux dangers inhérents à l'utilisation de l'appareil. Le produit et ses accessoires peuvent s'avérer dangereux s'ils sont utilisés de manière incorrecte par un personnel non qualifié ou de manière non conforme à l'usage prévu.

La désignation du modèle et le numéro de série figurent sur sa plaque signalétique.

- ▶ Inscrivez le numéro de série dans le tableau suivant. Les informations produit vous seront demandées lorsque vous contactez nos revendeurs ou services après-vente.

### Caractéristiques produit

Scie sabre	SR 30-A36
Génération	01
N° de série	

## 1.5 Déclaration de conformité

Nous déclarons sous notre seule et unique responsabilité que le produit décrit ici est conforme aux directives et normes en vigueur. Une copie de la Déclaration de conformité se trouve en fin de la présente documentation.

Pour obtenir les documentations techniques, s'adresser à :

Hilti Entwicklungsgesellschaft mbH | Zulassung Geräte | Hiltistraße 6 | 86916 Kaufering, DE

## 2 Sécurité

### 2.1 Indications générales de sécurité pour les appareils électriques

**⚠ AVERTISSEMENT Lire toutes les consignes de sécurité et instructions, illustrations et caractéristiques techniques, qui accompagnent cet outil électroportatif.** Tout manquement à l'observation des instructions suivantes risque de provoquer une électrocution, un incendie et/ou de graves blessures.

**Les consignes de sécurité et instructions doivent être intégralement conservées pour les utilisations futures.**

La notion d'« outil électroportatif » mentionnée dans les consignes de sécurité se rapporte à des outils électriques raccordés au secteur (avec câble d'alimentation) et à des outils électriques sur accu (sans câble d'alimentation).

#### Sécurité sur le lieu de travail

- ▶ **Conserver la zone de travail propre et bien éclairée.** Un lieu de travail en désordre ou mal éclairé augmente le risque d'accidents.
- ▶ **Ne pas faire fonctionner les outils électriques en atmosphère explosive et où se trouvent des liquides, des gaz ou poussières inflammables.** Les outils électriques produisent des étincelles qui peuvent enflammer les poussières ou les fumées.
- ▶ **Maintenir les enfants et les personnes présentes à l'écart pendant l'utilisation de l'outil électroportatif.** En cas d'inattention il y a risque de perdre le contrôle de l'appareil.

#### Sécurité relative au système électrique

- ▶ **La fiche de secteur de l'outil électroportatif doit être adaptée à la prise de courant. Ne jamais modifier la fiche de quelque façon que ce soit. Ne pas utiliser d'adaptateurs avec des outils électriques à branchement de terre.** Des fiches non modifiées et des prises de courant adaptées réduiront le risque de choc électrique.



- ▶ **Éviter le contact physique avec des surfaces mises à la terre tels que tuyaux, radiateurs, cuisinières et réfrigérateurs.** Il y a un risque élevé de choc électrique au cas où votre corps serait relié à la terre.
- ▶ **Ne pas exposer les outils électroportatifs à la pluie ou à l'humidité.** La pénétration d'eau à l'intérieur d'un outil électroportatif augmentera le risque d'un choc électrique.
- ▶ **Ne jamais utiliser le câble de raccordement à d'autres fins que celles prévues, telles que pour porter, accrocher ou débrancher l'outil électroportatif de la prise de courant. Maintenir le câble de raccordement à l'écart de la chaleur, des parties grasses, des bords tranchants ou des parties en mouvement.** Des câbles de raccordement endommagés ou emmêlés augmentent le risque de choc électrique.
- ▶ **Si l'outil électroportatif est utilisé à l'extérieur, utiliser uniquement des câbles de rallonge homologués pour les applications extérieures.** L'utilisation d'un câble de rallonge homologué pour les applications extérieures réduit le risque d'un choc électrique.
- ▶ **Si l'utilisation de l'outil électrique dans un environnement humide ne peut pas être évitée, utiliser un interrupteur de protection contre les courants de court-circuit.** L'utilisation d'un tel interrupteur de protection réduit le risque d'une décharge électrique.

### Sécurité des personnes

- ▶ **Rester vigilant, surveiller ce que l'on fait. Faire preuve de bon sens en utilisant l'outil électroportatif. Ne pas utiliser l'outil électroportatif en étant fatigué ou sous l'emprise de l'alcool, de drogues ou de médicaments.** Un moment d'inattention lors de l'utilisation de l'outil électroportatif peut entraîner des blessures graves.
- ▶ **Utiliser un équipement de protection personnel et toujours porter une protection pour les yeux.** Les équipements de protection personnels tels que masque antipoussière, chaussures de sécurité antidérapantes, casque de protection ou protection acoustique suivant l'utilisation de l'outil électroportatif, réduiront le risque de blessures des personnes.
- ▶ **Éviter une mise en service par mégarde. S'assurer que l'outil électroportatif est arrêté avant de le brancher à la source de courant et/ou à l'accu, de le prendre ou de le porter.** Le fait de porter l'outil électroportatif avec le doigt sur l'interrupteur ou de brancher l'appareil sur la source de courant lorsque l'interrupteur est en position de fonctionnement peut entraîner des accidents.
- ▶ **Retirer tout outil de réglage ou toute clé avant de mettre l'outil électroportatif en fonctionnement.** Une clé ou un outil se trouvant sur une partie en rotation peut causer des blessures.
- ▶ **Adopter une bonne posture. Veiller à toujours garder une position stable et équilibrée.** Cela permet un meilleur contrôle de l'outil électroportatif dans des situations inattendues.
- ▶ **S'habiller de manière adaptée. Ne pas porter de vêtements amples ni de bijoux. Garder les cheveux, les vêtements et les gants à distance des parties en mouvement.** Des vêtements amples, des bijoux ou des cheveux longs peuvent être happés par des parties en mouvement.
- ▶ **Si des dispositifs servant à aspirer ou à recueillir les poussières doivent être utilisés, s'assurer qu'ils sont effectivement raccordés et correctement utilisés.** L'utilisation d'un dispositif d'aspiration de la poussière peut réduire les risques dus aux poussières.
- ▶ **Ne pas sous-estimer les mesures de sécurité à prendre et ne pas ignorer sciemment les règles de sécurité applicables aux outils électriques, même si l'on est utilisateur chevronné après de fréquentes utilisations de l'outil électroportatif.** Un manque d'attention peut conduire à de graves blessures en quelques fractions de seconde.

### Utilisation et maniement de l'outil électroportatif

- ▶ **Ne pas forcer l'appareil. Utiliser l'outil électroportatif adapté au travail à effectuer.** Un outil électroportatif approprié réalisera mieux le travail et de manière plus sûre au régime pour lequel il a été conçu.
- ▶ **Ne pas utiliser d'outil électroportatif dont l'interrupteur est défectueux.** Tout outil électroportatif qui ne peut plus être mis en ou hors fonctionnement est dangereux et doit être réparé.
- ▶ **Débrancher la fiche de la prise de courant et/ou l'accu amovible avant d'effectuer des réglages sur l'appareil, de changer les accessoires, ou de ranger l'appareil.** Cette mesure de précaution empêche une mise en fonctionnement par mégarde de l'outil électroportatif.
- ▶ **Conserver les outils électroportatifs non utilisés hors de portée des enfants. Ne permettre l'utilisation de l'appareil à aucune personne qui ne soit pas familiarisée avec celui-ci ou qui n'a pas lu ces instructions.** Les outils électroportatifs sont dangereux lorsqu'ils sont entre les mains de personnes non initiées.
- ▶ **Prendre soin des outils électroportatifs et des accessoires. Vérifier que les parties en mouvement fonctionnent correctement et qu'elles ne sont pas coincées, et contrôler si des parties sont cassées ou endommagées de sorte que le bon fonctionnement de l'outil électroportatif s'en trouve entravé. Faire réparer les parties endommagées avant d'utiliser l'appareil.** De nombreux accidents sont dus à des outils électroportatifs mal entretenus.



- ▶ **Garder les outils de coupe affûtés et propres.** Des outils destinés à couper correctement entretenus avec des arêtes de coupe tranchantes sont moins susceptibles de bloquer et sont plus faciles à contrôler.
- ▶ **L'outil électroportatif, les accessoires, les outils amovibles, etc. doivent être utilisés conformément à ces instructions.** Tenir également compte des conditions de travail et du travail à réaliser. L'utilisation des outils électroportatifs à d'autres fins que celles prévues peut entraîner des situations dangereuses.
- ▶ **Veiller à ce que les poignées et surfaces de préhension soient toujours être sèches, propres et exemptes de traces de graisse ou d'huile.** Avec des poignées et surfaces de préhension glissantes, la sécurité et le contrôle de l'outil électroportatif ne peuvent être assurés dans des situations inopinées.

#### Utilisation et maniement de l'outil sur accu

- ▶ **Ne charger les accus que dans des chargeurs recommandés par le fabricant.** Si un chargeur approprié à un type spécifique d'accus est utilisé avec des accus non recommandés pour celui-ci, il y a risque d'incendie.
- ▶ **Dans les outils électroportatifs, utiliser uniquement les accus spécialement prévus pour ceux-ci.** L'utilisation de tout autre accu peut entraîner des blessures et des risques d'incendie.
- ▶ **Tenir l'accu non utilisé à l'écart de tous objets métalliques tels qu'agrafes, pièces de monnaie, clés, clous, vis ou autres, étant donné qu'un pontage peut provoquer un court-circuit.** Un court-circuit entre les contacts d'accu peut provoquer des brûlures ou un incendie.
- ▶ **En cas d'utilisation abusive, du liquide peut sortir de l'accu. Éviter tout contact avec ce liquide. En cas de contact par mégarde, rincer soigneusement avec de l'eau. Au cas où le liquide rentrerait dans les yeux, consulter en plus un médecin.** Le liquide qui sort de l'accu peut entraîner des irritations de la peau ou causer des brûlures.
- ▶ **Ne pas utiliser d'accu endommagé ou modifié.** Des accus endommagés ou modifiés peuvent avoir un comportement imprévisible et provoquer un incendie, une explosion ou engendrer un risque de blessures.
- ▶ **Ne jamais exposer l'accu au feu ou à des températures trop élevées.** Le feu ou des températures supérieures à 130 °C (265 °F) peuvent provoquer une explosion.
- ▶ **Suivre toutes les instructions de charge et ne jamais charger l'accu ou l'outil sur accu hors de la plage de températures spécifiée dans le manuel d'utilisation.** Une charge inappropriée ou hors de la plage de températures spécifiée risque d'endommager l'accu et accroître le risque d'incendie.

#### Service

- ▶ **L'outil électroportatif doit uniquement être réparé par un personnel qualifié et seulement avec des pièces de rechange d'origine.** Ceci permet d'assurer la sécurité de l'appareil.
- ▶ **Ne jamais entretenir d'accus endommagés.** Toutes les opérations d'entretien sur des accus doivent exclusivement être réalisées par le fabricant ou un prestataire de service client agréé.

## 2.2 Consignes de sécurité supplémentaires pour le sciage avec une lame de scie effectuant un mouvement de va-et-vient

- ▶ **Tenir l'appareil par les surfaces isolées des poignées lors des travaux pendant lesquels l'outil utilisé risque de toucher des câbles électriques cachés.** Le contact avec un câble sous tension risque de mettre les parties métalliques de l'appareil sous tension et de provoquer une décharge électrique.
- ▶ **Fixer et sécuriser l'outil à l'aide d'un serre-joint ou de tout autre manière sur un support stable.** Si l'outil est tenu seulement avec la main ou contre le corps, il reste instable ce qui peut entraîner la perte de contrôle.

## 2.3 Consignes de sécurité supplémentaires spécifiques aux scies

### Sécurité des personnes

- ▶ Bien garder les mains à distance de la zone de sciage et de la lame de scie. Tenir de l'autre main la poignée supplémentaire ou le carter du moteur. Si la scie est tenue des deux mains, celles-ci ne risquent pas d'être blessées lors du sciage.
- ▶ Utiliser le produit uniquement s'il est en parfait état.
- ▶ Ne jamais entreprendre de manipulation ni de modification sur l'appareil.
- ▶ Porter aussi des gants de protection pour changer d'outil. Risque de blessures par coupure et de brûlures au contact avec l'outil amovible.
- ▶ Avant le début du travail, prendre connaissance de la classe de risque de la poussière générée lors des travaux. Utiliser un aspirateur avec une classification de sécurité autorisée officiellement et conforme aux dispositions locales concernant les poussières. Les poussières de matériaux telles que des peintures contenant du plomb, certains types de bois, du béton / de la maçonnerie / des pierres naturelles qui contiennent du quartz ainsi que des minéraux et des métaux peuvent être nuisibles à la santé.



- ▶ Veiller à ce que le poste de travail soit bien ventilé et porter, le cas échéant, un masque de protection respiratoire adapté au type de poussières. Le contact ou l'aspiration de poussière peut provoquer des réactions allergiques et/ou des maladies respiratoires de l'utilisateur ou de toute personne se trouvant à proximité. Les matériaux contenant de l'amiante doivent seulement être manipulés par un personnel spécialisé.
- ▶ Ne pas passer les mains sous la pièce travaillée.
- ▶ Ne jamais tenir la pièce à scier avec la main ou sur la jambe. Fixer la pièce sur un support stable.
- ▶ Bien tenir l'appareil des deux mains aux poignées prévues à cet effet et mettre les bras dans une position permettant d'amortir la force de contrecoup.
- ▶ Tenir les poignées toujours sèches et propres.
- ▶ Toujours se tenir latéralement à la lame de scie, le corps de l'utilisateur ne doit jamais être dans l'alignement de la lame de scie. En cas de contrecoup, la scie risque d'être propulsée vers l'arrière !
- ▶ Si la lame de scie se coince ou que le travail est interrompu, arrêter la scie et la tenir dans le matériau sans bouger jusqu'à ce que la lame de scie s'immobilise. Ne jamais essayer de sortir la scie de la pièce travaillée ou de la tirer vers l'arrière tant que la lame de scie bouge, sans quoi un contrecoup risque de se produire.
- ▶ Si une scie qui s'est bloquée dans une pièce doit être remise en marche, centrer la lame de scie dans la fente et contrôler que les dents de la scie ne soient pas restées accrochées dans la pièce.
- ▶ Travailler avec d'autant plus de prudence pour découper des parois existantes ou d'autres zones sans visibilité. La lame plongeante risque de se coincer dans des objets cachés et de provoquer un contrecoup.

### **Sécurité relative au système électrique**

- ▶ Avant d'entamer le travail, vérifier qu'il n'y a pas de câbles ou gaines électriques, tuyaux de gaz ou d'eau cachés dans la zone d'intervention. Toutes pièces métalliques extérieures de l'appareil sont susceptibles de provoquer une décharge électrique si un câble électrique est endommagé par inadvertance.
- ▶ Tenir l'appareil par les surfaces isolées des poignées lors des travaux pendant lesquels l'outil utilisé risque de toucher des câbles électriques cachés. Le contact avec un câble sous tension risque de mettre les parties métalliques de l'appareil sous tension et de provoquer une décharge électrique.

### **Utilisation et emploi soigneux de l'outil électroportatif**

- ▶ Ne pas utiliser de lames de scie émoussées ou endommagées. Celles-ci entraîneraient une friction élevée, un coincement de la lame de scie et un contrecoup.
- ▶ Respecter les instructions du fabricant relatives au maniement et au stockage des lames de scie.
- ▶ Le produit doit être serré contre la pièce travaillée à l'aide du patin d'appui. Ceci permet de garantir un travail fiable et optimal.
- ▶ Se protéger des copeaux brûlants en portant des vêtements de protection appropriés.

## **2.4 Consignes de sécurité supplémentaires**

- ▶ Utiliser le produit uniquement s'il est en parfait état.
- ▶ Ne jamais entreprendre de manipulation ni de modification sur l'appareil.
- ▶ Ne pas utiliser de lames de scie émoussées ou endommagées. Celles-ci entraîneraient une friction élevée, un coincement de la lame de scie et un contrecoup.
- ▶ Avant d'entamer le travail, vérifier qu'il n'y a pas de câbles ou gaines électriques, tuyaux de gaz ou d'eau cachés dans la zone d'intervention. Toutes pièces métalliques extérieures de l'appareil sont susceptibles de provoquer une décharge électrique si un câble électrique est endommagé par inadvertance.
- ▶ Fixer la pièce sur un support stable. Ne jamais tenir la pièce à scier avec la main ou sur la jambe.
- ▶ Seulement mettre le produit en marche lorsqu'il est dans la position de travail.
- ▶ Lors de la coupe, toujours effectuer des mouvements s'éloignant de soi.
- ▶ Travailler avec une pression d'appui modérée et une vitesse de coupe appropriée, notamment dans le cas de tuyaux de grand diamètre. Ceci permet d'éviter une surchauffe de l'appareil.
- ▶ En cas de séparation de conduites, d'abord s'assurer que celles-ci ne contiennent plus aucun liquide. Les vider si nécessaire.
- ▶ En cas de séparation de conduites, tenir l'appareil plus haut que la conduite à séparer.
  - ▶ L'appareil ne dispose d'aucune protection contre la pénétration d'humidité. Le liquide s'écoulant peut provoquer un court-circuit dans l'appareil.
- ▶ Ne pas scier dans des sous-sols de nature inconnue et libérer la surface de coupe de tout obstacle en haut et en bas.
  - ▶ Si elle percute un objet, la lame de scie peut provoquer un mouvement de recul sur l'appareil.
- ▶ Porter aussi des gants de protection pour changer d'outil. Risque de blessures par coupure et de brûlures au contact avec l'outil amovible.



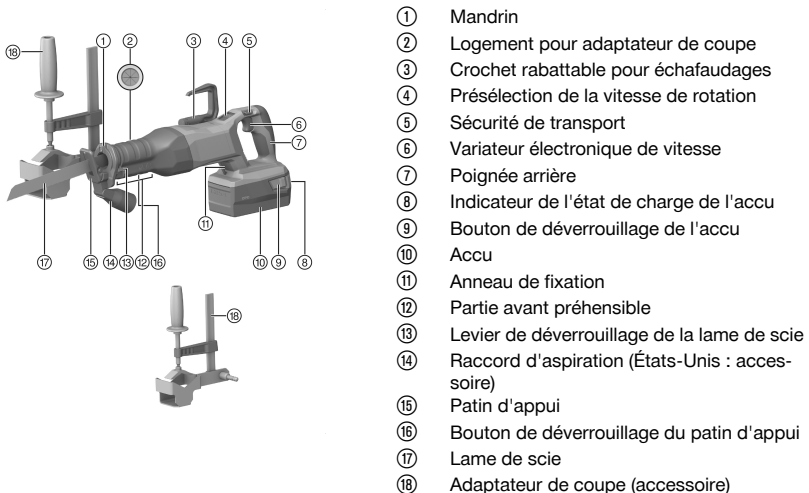
- ▶ Toujours retirer l'accu si l'appareil n'est pas utilisé, avant de procéder à l'entretien, de remplacer des outils ou pendant le transport.
- ▶ Pour le stockage ou le transport de l'appareil, activer la sécurité de transport.
- ▶ Respecter les instructions du fabricant relatives au maniement et au stockage des lames de scie.
- ▶ L'utilisateur et les personnes se trouvant à proximité pendant l'utilisation de l'appareil doivent porter des lunettes de protection adaptées, un casque de protection, un casque antibruit, des gants de protection et un masque respiratoire léger.
- ▶ Toujours utiliser une lame de scie de longueur appropriée. La lame de scie doit dépasser de la pièce à découper pendant toute l'opération de sciage.
- ▶ Faire régulièrement des pauses et des exercices de relaxation et de massage des doigts pour favoriser l'irrigation sanguine dans les doigts.
- ▶ Ne jamais regarder directement dans la lumière (LED) et ne jamais orienter la lumière directement dans le visage d'une personne. Il y a risque d'éblouissement.
- ▶ Les éclats de matière peuvent entraîner des blessures corporelles et aux yeux. Utiliser un équipement de protection individuel et toujours porter des lunettes et des gants de protection.
- ▶ Lors de travaux d'ajourage, protéger l'espace du côté opposé aux travaux.

## 2.5 Utilisation et emploi soigneux des batteries

- ▶ Respecter les directives spécifiques relatives au transport, au stockage et à l'utilisation des batteries li-ion.
- ▶ Ne pas exposer les batteries à des températures élevées, ni au rayonnement direct du soleil ou au feu.
- ▶ Les batteries ne doivent pas être démontées, écrasées, chauffées à une température supérieure à 80 °C ou jetées au feu.
- ▶ Ne jamais utiliser ni charger d'accus qui ont subi un choc électrique, qui sont tombés de plus d'un mètre ou qui ont été endommagés d'une manière quelconque. Si tel est le cas, il convient de contacter le **S.A.V Hilti**.
- ▶ Si la batterie est trop chaude pour être touchée, elle peut être défectueuse. Déposer le produit à un endroit non inflammable d'où il peut être surveillé, à une distance suffisante de matériaux inflammables et le laisser refroidir. Si tel est le cas, il convient de contacter le **S.A.V Hilti**.

## 3 Description

### 3.1 Vue d'ensemble du produit 1



### 3.2 Utilisation conforme à l'usage prévu

Le produit décrit est une scie sabre sans fil. Elle est destinée aux travaux de sciage dans le bois ou des matières analogues au bois, des matériaux métalliques ainsi que dans des plastiques.



Le produit doit être tenu avec les deux mains.

- ▶ Pour ce produit, utiliser exclusivement les accus Li-Ion **Hilti** de la série B 36.
- ▶ Pour ces accus, utiliser exclusivement les chargeurs **Hilti** de la série C4/36.

### 3.3 Mauvaise utilisation possible

- ▶ Ne pas scier de la brique, du béton, du béton cellulaire, de la pierre naturelle ou du carrelage.
- ▶ Ne pas utiliser le produit pour scier des conduites contenant encore du liquide.
- ▶ Ne pas scier dans des sous-sols de nature inconnue.

### 3.4 Affichage de l'état des accus Li-Ion

L'état de charge de l'accu Li-Ion ainsi que les dysfonctionnements de l'appareil sont signalés par le biais de l'affichage de l'accu Li-Ion. L'état de charge de l'accu Li-Ion peut être visualisé en appuyant légèrement sur l'un des deux boutons de déverrouillage.

État	Signification
4 LED allumées.	État de charge : 75 % à 100 %
3 LED allumées.	État de charge : 50 % à 75 %
2 LED allumées.	État de charge : 25 % à 50 %
1 LED allumée.	État de charge : 10 % à 25 %
1 LED clignote.	État de charge : < 10 %
1 LED clignote, l'appareil n'est pas fonctionnel.	L'accu surchauffe ou est complètement déchargé.
4 LED clignotent, l'appareil n'est pas fonctionnel.	Charge excessive ou surchauffe de l'appareil.

**i** Il n'est pas possible d'interroger l'indicateur de l'état de charge lorsque le variateur électronique de vitesse est actionné et jusqu'à 5 secondes après avoir relâché le variateur électronique de vitesse. Si les LED de l'affichage de l'accu clignotent, se reporter au chapitre Aide au dépannage.

### 3.5 Éléments livrés

Scie sabre, mode d'emploi.

D'autres produits système autorisés pour votre produit peuvent être obtenus auprès de **Hilti Store** ou sous : [www.hilti.group](http://www.hilti.group).

## 4 Caractéristiques techniques

	SR 30-A36
<b>Tension de référence</b>	36 V
<b>Poids selon la procédure EPTA 01</b>	5,2 kg
<b>Cadence de coupe (Niveau 1)</b>	2.000 tr/min
<b>Cadence de coupe (Niveau 2)</b>	2.800 tr/min
<b>Course</b>	32 mm
<b>Mandrin</b>	0,5 in
<b>Température ambiante en cours de service</b>	-17 °C ... 60 °C
<b>Température de stockage</b>	-20 °C ... 70 °C

### 4.1 Valeurs de bruit et de vibrations selon EN 62841

Les valeurs de pression acoustique et de vibrations mentionnées dans ces instructions ont été mesurées conformément à un procédé de mesure normalisé et peuvent être utilisées comme base de comparaison d'outils électroportatifs. Elles sont de plus adaptées à une évaluation préalable de l'exposition aux bruits et aux vibrations.

Les indications fournies correspondent aux principales applications de l'outil électroportatif. Ces données peuvent néanmoins différer si l'outil électroportatif est utilisé pour d'autres applications ou avec des outils coupants différents, ou bien si l'entretien s'avère insuffisant. Dans ce cas, les expositions peuvent augmenter nettement dans tout l'espace de travail.





Pour une évaluation précise des expositions, il convient également de prendre en compte les temps durant lesquels l'appareil est arrêté ou marche à vide. Cela peut réduire considérablement les contraintes d'exposition dans tout l'espace de travail.

Par ailleurs, il convient de prendre des mesures de sécurité supplémentaires en vue de protéger l'opérateur des effets du bruit ou des vibrations, par exemple : entretien de l'outil électroportatif et des outils de coupe, maintien des mains à bonne température, organisation des processus de travail.

#### Valeurs d'émissions acoustiques

	SR 30-A36
Niveau de puissance acoustique ( $L_{WA}$ )	96 dB(A)
Incertitude sur le niveau de puissance acoustique ( $K_{WA}$ )	5 dB(A)
Niveau de puissance acoustique ( $L_{pA}$ )	85 dB(A)
Incertitude sur le niveau de pression acoustique ( $K_{pA}$ )	5 dB(A)

#### Valeurs totales des vibrations

	SR 30-A36
Valeur d'émission des vibrations – Sciage de panneaux en aggloméré ( $a_{h,B}$ )	22,5 m/s <sup>2</sup>
Incertitude – Sciage de panneaux en aggloméré (K)	3,7 m/s <sup>2</sup>
Valeur d'émission des vibrations – Sciage de poutres de bois ( $a_{h,WB}$ )	20,5 m/s <sup>2</sup>
Incertitude – Sciage de poutres de bois (K)	3,3 m/s <sup>2</sup>

#### 4.2 Batterie

Tension nominale de l'accu	36 V
Température ambiante en cours de service	-17 °C ... 60 °C
Température de stockage	-20 °C ... 40 °C
Température de l'accu au début de la charge	-10 °C ... 45 °C

### 5 Préparatifs

#### ATTENTION

##### Risque de blessures du fait d'une mise en marche inopinée !

- ▶ Avant d'insérer l'accu, s'assurer que le produit correspondant est bien sur arrêt.
- ▶ Retirer le bloc-accu, avant d'effectuer des réglages sur l'appareil ou de changer les accessoires.

Bien respecter les consignes de sécurité et les avertissements de la présente documentation ainsi que celles figurant sur le produit.

#### 5.1 Recharge de l'accu

1. Avant de commencer la charge, lire le mode d'emploi du chargeur.
2. Veiller à ce que les contacts de l'accu et du chargeur sont propres et secs.
3. Charger l'accu à l'aide d'un chargeur homologué.

#### 5.2 Introduction de l'accu

#### ATTENTION

##### Risque de blessures du fait d'un court-circuit ou de la chute de l'accu !

- ▶ Avant d'insérer l'accu dans l'appareil, s'assurer que les contacts de l'accu et les contacts sur le produit sont exempts de corps étrangers.
- ▶ S'assurer que l'accu s'encliquette toujours correctement.

1. L'accu doit être entièrement chargé avant la première mise en service.
2. Insérer l'accu dans l'appareil jusqu'à ce qu'il s'encliquette avec un clic audible.
3. Vérifier que l'accu est bien en place.




### 5.3 Retrait de l'accu

1. Appuyer sur les boutons de déverrouillage de l'accu.
2. Retirer l'accu hors de l'appareil.

### 5.4 Montage du crochet pour échafaudages (accessoire) 2

1. Activer la sécurité de transport.
2. Monter le crochet pour échafaudages.

### 5.5 Mise en place de la lame de scie 3

 Utiliser uniquement des lames de scie avec un emmanchement 1/2".

1. Activer la sécurité de transport ou sortir l'accu de l'appareil.
2. Vérifier si l'emmanchement de l'outil est bien propre et légèrement graissé. Le nettoyer et le graisser si nécessaire.
3. Pousser le levier de verrouillage jusqu'en butée vers le haut et le maintenir dans cette position.
4. Pousser la lame par l'avant dans le porte-lame.
5. Laisser le levier de verrouillage glisser en arrière.
6. Vérifier que la lame est bien enclenchée en tirant dessus.

### 5.6 Montage du raccord d'aspiration (États-Unis : accessoire) 4

1. Extraire le patin d'appui.
2. Monter le raccord d'aspiration sur le support du patin d'appui.
3. Guider le patin d'appui légèrement graissé complètement dans le guide.

## 6 Utilisation

### ATTENTION

**Risque de blessures du fait d'un court-circuit ou de la chute de l'accu !**

- ▶ Avant d'insérer l'accu dans l'appareil, s'assurer que les contacts de l'accu et les contacts sur le produit sont exempts de corps étrangers.
- ▶ S'assurer que l'accu s'encliquette toujours correctement.

Bien respecter les consignes de sécurité et les avertissements de la présente documentation ainsi que celles figurant sur le produit.

### 6.1 Guider la scie 5

1. Tenir la scie par les poignées prévues à cet effet.
2. Guider la scie jusqu'à la pièce à travailler.
3. Guider la scie d'avant en arrière.
  - ↳ Si la scie appuie sur la pièce à travailler, la lame de scie risque de se casser et d'entraîner des blessures.

### 6.2 Sciage 6

### AVERTISSEMENT

**Risque de blessures engendrées par des crochets pour échafaudages défectueux !** Une chute de l'appareil pourrait vous mettre en danger ou mettre en danger d'autres personnes.

- ▶ Avant de commencer à travailler, vérifier que le crochet pour échafaudages est correctement fixé et qu'il n'est pas endommagé.

1. Désactiver la sécurité de transport et appuyer sur le variateur électronique de vitesse.
  - ↳ Vous trouverez dans la section imagée différentes possibilités de guider efficacement la scie.
2. Une fois l'opération de sciage terminée, relâcher le variateur électronique de vitesse.



3. Activer la sécurité de transport.

### 6.3 Retrait de la lame de scie

#### ATTENTION

**Risque de blessures !** L'outil amovible peut être brûlant et / ou présenter des arêtes vives.

- ▶ Porter des gants de protection pour changer d'outil amovible.
- ▶ Ne jamais déposer un outil amovible chaud sur un support inflammable.

1. Activer la sécurité de transport ou sortir l'accu de l'appareil.
2. Pousser le levier de verrouillage jusqu'en butée vers le haut et le maintenir dans cette position.
3. Tirer la lame du porte-lame vers l'avant hors du porte-lame.
4. Laisser le levier de verrouillage glisser en arrière.

## 7 Nettoyage et entretien

### AVERTISSEMENT

**Risque de blessures lorsque l'accu est inséré !**

- ▶ Toujours retirer l'accu avant tous travaux de nettoyage et d'entretien !

#### Entretien de l'appareil

- Éliminer prudemment les saletés récalcitrantes.
- Nettoyer les ouïes d'aération avec précaution au moyen d'une brosse sèche.
- Nettoyer le boîtier uniquement avec un chiffon légèrement humidifié. Ne pas utiliser de nettoyeurs à base de silicone, ceci pourrait attaquer les pièces en plastique.
- Nettoyer et lubrifier régulièrement le porte-outil de l'extérieur. Pour ce faire, veuillez utiliser le spray **Hilti** 314648.

#### Entretien des accus Li-ion

- Veiller à ce que l'accu soit toujours propre et exempt de traces de graisse et d'huile.
- Nettoyer le boîtier uniquement avec un chiffon légèrement humidifié. Ne pas utiliser de nettoyeurs à base de silicone, ceci pourrait attaquer les pièces en plastique.
- Éviter toute pénétration d'humidité.

#### Entretien

- Vérifier régulièrement qu'aucune pièce visible n'est endommagée et que les organes de commande sont parfaitement opérationnels.
- En cas d'endommagements et/ou de dysfonctionnements, ne pas utiliser le produit. Le faire immédiatement réparer par le S.A.V. **Hilti**.
- Après des travaux de nettoyage et d'entretien, vérifier si tous les équipements de protection sont bien en place et fonctionnent parfaitement.



Pour une utilisation en toute sécurité, utiliser uniquement des pièces de rechange et consommables d'origine. Vous trouverez les pièces de rechange, consommables et accessoires autorisés convenant pour votre produit dans le centre **Hilti Store** ou sous : [www.hilti.group](http://www.hilti.group).

### 7.1 Remplacement du patin d'appui



Le patin d'appui peut être remplacé au besoin.

1. Retirer l'accu.
2. Retirer la lame de scie. → Page 21
3. Appuyer sur le bouton de déverrouillage rouge du patin d'appui sur la face inférieure de la scie sabre.
4. Extraire le patin d'appui.
5. Appuyer sur le bouton de déverrouillage rouge du patin d'appui sur la face inférieure de la scie sabre.
6. Insérer le patin d'appui légèrement graissé complètement dans le guide.
7. Vérifier que le patin d'appui est encliqueté.



## 8 Transport et stockage des appareils sur accu

### Transport

#### ATTENTION

#### Mise en marche inopinée lors du transport !

- ▶ Toujours retirer les accus avant de transporter les produits !
- ▶ Retirer les accus.
- ▶ Ne jamais transporter les accus en vrac.
- ▶ Avant toute utilisation consécutive à un transport prolongé de l'appareil et des accus, toujours vérifier qu'ils ne sont pas endommagés.

### Stockage

#### ATTENTION

#### Endommagement involontaire du fait d'accus défectueux ou de chute d'accu !

- ▶ Toujours retirer les accus avant de stocker les produits !
- ▶ Stocker l'appareil et les accus si possible au frais et au sec.
- ▶ Ne jamais stocker les accus exposés au soleil, sur des installations de chauffage ou derrière des vitres.
- ▶ Stocker l'appareil et les accus hors de portée des enfants et des personnes non autorisées.
- ▶ Avant toute utilisation consécutive à un stockage prolongé de l'appareil et des accus, toujours vérifier qu'ils ne sont pas endommagés.

## 9 Aide au dépannage

En cas de défaillances non énumérées dans ce tableau ou auxquelles il n'est pas possible de remédier sans aide, contacter le S.A.V. Hilti.

### 9.1 La scie sabre n'est pas en état de marche


Défaillance	Causes possibles	Solution
L'appareil ne se met pas en marche.	L'accu n'est pas complètement encliqueté.	▶ Encliqueter l'accu d'un clic.
	Accu vide.	▶ Charger l'accu.
	La sécurité de transport n'est pas activée.	▶ Activer la sécurité de transport.
Impossible de retirer la lame de scie du porte-lame.	Le levier de verrouillage n'est pas poussé jusqu'en butée.	▶ Pousser le levier de verrouillage jusqu'en butée et retirer la lame de scie.
	Porte-outil colmaté par des résidus de sciage.	▶ Éliminer les résidus de sciage et nettoyer régulièrement le porte-outil de l'extérieur. Entretien de l'appareil. → Page 21

### 9.2 La scie sabre est en état de marche

Défaillance	Causes possibles	Solution
L'appareil n'atteint pas la pleine puissance.	Le variateur électronique de vitesse n'est pas complètement enfoncé.	▶ Enfoncer complètement le variateur électronique de vitesse.
	Décharger le bloc-accu	▶ Remplacer l'accu et charger l'accu vide.
Impossible de retirer la lame de scie du porte-lame.	Le levier de verrouillage n'est pas poussé jusqu'en butée.	▶ Pousser le levier de verrouillage jusqu'en butée et retirer la lame de scie.



## 10 Recyclage

 Les appareils **Hilti** sont fabriqués pour une grande partie en matériaux recyclables. Le recyclage présuppose un tri adéquat des matériaux. **Hilti** reprend les appareils usagés dans de nombreux pays en vue de leur recyclage. Consulter le service clients **Hilti** ou un conseiller commercial.

### Élimination des accus

Une élimination non conforme des accus peut produire des émanations de gaz et de liquides nocives pour la santé.

- ▶ Ne pas envoyer ni expédier d'accus endommagés !
- ▶ Recouvrir les raccordements avec un matériau non conducteur pour éviter tout court-circuit.
- ▶ Éliminer les accus en veillant à ce qu'ils soient hors de la portée des enfants.
- ▶ Éliminer l'accu en le déposant auprès du **Hilti Store** local ou s'adresser à l'entreprise de collecte des déchets compétente.



- 
- ▶ Ne pas jeter les appareils électriques, électroniques et accus dans les ordures ménagères !
- 

## 11 RoHS (directive relative à la limitation d'utilisation des substances dangereuses)

Le tableau des substances dangereuses est accessible au moyen du lien suivant : [qr.hilti.com/r5962277](http://qr.hilti.com/r5962277). Vous trouverez à la fin de cette documentation, sous forme de code QR, un lien menant au tableau RoHS.

## 12 Garantie constructeur

- ▶ En cas de questions sur les conditions de garantie, veuillez vous adresser à votre partenaire **Hilti** local.



## 1 Oplysninger vedrørende dokumentationen

### 1.1 Vedrørende denne dokumentation

- Læs denne dokumentation igennem før brugtagning. Det er en forudsætning for sikkert arbejde og korrekt håndtering.
- Følg sikkerheds- og advarselshenvisningerne i denne dokumentation og på produktet.
- Opbevar altid brugsanvisningen sammen med produktet, og overdrag det kun til andre personer sammen med denne anvisning.

### 1.2 Tegnforklaring

#### 1.2.1 Advarsler

Advarsler advarer mod farer ved håndtering af produktet. Følgende signalord anvendes:



**FARE**

**FARE !**

- ▶ Betegner en umiddelbart truende fare, der kan medføre alvorlige kvæstelser eller døden.



**ADVARSEL**

**ADVARSEL !**

- ▶ Står ved en potentielt truende fare, der kan medføre alvorlige kvæstelser eller døden.



**FORSIGTIG**

**FORSIGTIG !**

- ▶ Betegner en potentielt farlig situation, der kan forårsage lettere personskader eller materielle skader.

#### 1.2.2 Symboler i denne dokumentation

Følgende symboler anvendes i denne dokumentation:

	Læs brugsanvisningen før brug
	Anvisninger for anvendelse og andre nyttige oplysninger
	Håndtering af genvindbare materialer
	Elektriske maskiner og batterier må ikke bortskaffes som almindeligt husholdningsaffald

#### 1.2.3 Symboler i illustrationer

Følgende symboler anvendes på illustrationer:

	Disse tal henviser til de forskellige illustrationer i begyndelsen af brugsanvisningen
	Nummereringen udtrykker arbejdsstrinnenes rækkefølge på illustrationen og kan afvige fra arbejdsstrinnene i teksten
	Positionsnumre anvendes i illustrationen <b>Oversigt</b> og refererer til tallene i symbolforklaringen i afsnittet <b>Produktoversigt</b>
	Dette symbol skal sikre skærpet opmærksomhed ved omgang med produktet.

### 1.3 Produktspecifikke symboler

#### 1.3.1 Symboler på produktet

Følgende symboler kan forekomme på produktet:

	Jævnstrøm
--	-----------



n <sub>0</sub>	Slagtal, ubelastet
	Trådløs dataoverførsel
Li-Ion	Lithium-ion-batteri
	Anvendt Hilti lithium-ion-batteritypeserie. Overhold oplysningerne i kapitlet <b>Bestemmelsesmæssig anvendelse</b> .

## 1.4 Produktoplysninger

-produkter er beregnet til professionel brug og må kun betjenes, efterses og vedligeholdes af autoriseret og instrueret personale. Dette personale skal i særdeleshed informeres om de potentielle farer, der er forbundet med anvendelsen af denne maskine. Der kan opstå farlige situationer ved anvendelse af produktet og det tilhørende udstyr, hvis det anvendes af personer, der ikke er blevet undervist i dens brug, eller hvis det ikke anvendes korrekt i henhold til forskrifterne i denne brugsanvisning.

Typebetegnelse og serienummer fremgår af typeskiltet.

- ▶ Notér serienummeret i den efterfølgende tabel. Du skal bruge produktoplysningerne ved henvendelser til vores lokale afdeling eller vores serviceværksted.

### Produktoplysninger

Bajonetsav	SR 30-A36
Generation	01
Serienummer	

## 1.5 Overensstemmelseserklæring

Vi erklærer som eneansvarlige, at det beskrevne produkt er i overensstemmelse med gældende direktiver og standarder. Sidst i dette dokument finder du et billede af overensstemmelseserklæringen.

Den tekniske dokumentation er arkiveret her:

Hilti Entwicklungsgesellschaft mbH | Zulassung Geräte | Hiltistraße 6 | 86916 Kaufering, DE

## 2 Sikkerhed

### 2.1 Generelle sikkerhedsanvisninger for elværktøj

**⚠ ADVARSEL Læs alle sikkerhedsanvisninger, henvisninger, billedtekster og tekniske data på elværktøjet.** Hvis følgende anvisninger ikke overholdes, er der risiko for elektrisk stød, brand og/eller alvorlige personskader.

**Opbevar alle sikkerhedsanvisninger og instruktioner til senere brug.**

Det benyttede begreb "elværktøj" i sikkerhedsanvisningerne refererer til elektriske maskiner (med netledning) eller batteridrevne maskiner (uden netledning).

#### Arbejdspladssikkerhed

- ▶ **Sørg for at holde arbejdsområdet ryddeligt og godt oplyst.** Uorden eller uoplyste arbejdsområder øger faren for uheld.
- ▶ **Brug ikke elværktøj i eksplosionstruede omgivelser, hvor der er brændbare væsker, gasser eller støv.** Elværktøj kan slå gnister, der kan antænde støv eller dampe.
- ▶ **Sørg for, at andre personer og ikke mindst børn holdes væk fra arbejdsområdet, når elværktøjet er i brug.** Hvis man distraheres, kan man miste kontrollen over maskinen.

#### Elektrisk sikkerhed

- ▶ **Elværktøjets stik skal passe til kontakten. Stikket må under ingen omstændigheder ændres. Brug ikke adapterstik sammen med jordforbundne elværktøj.** Uædrede stik, der passer til kontakterne, nedsætter risikoen for elektrisk stød.
- ▶ **Undgå kropskontakt med jordforbundne overflader som f.eks. rør, radiatorer, komfurer og køleskabe.** Hvis din krop er jordforbundet, øges risikoen for elektrisk stød.
- ▶ **Elværktøj må ikke udsættes for regn eller fugt.** Indtrængning af vand i elværktøj øger risikoen for elektrisk stød.
- ▶ **Brug ikke ledningen til formål, den ikke er beregnet til (f.eks. må man aldrig bære elværktøjet i ledningen, hænge det op i ledningen eller rykke i ledningen for at trække stikket ud af kontakten).**



**Beskyt ledningen mod varme, olie, skarpe kanter eller dele, der er i bevægelse.** Beskadigede eller sammenviklede ledninger øger risikoen for elektrisk stød.

- ▶ **Hvis elværktøjet benyttes i det fri, må der kun benyttes en forlængerledning, der er egnet til udendørs brug.** Brug af forlængerledning til udendørs brug nedsætter risikoen for elektrisk stød.
- ▶ **Hvis det ikke kan undgås at anvende elværktøjet i fugtige omgivelser, skal du anvende et fejlstrømsrelæ.** Anvendelsen af et fejlstrømsrelæ nedsætter risikoen for et elektrisk stød.

#### Personlig sikkerhed

- ▶ **Det er vigtigt at være opmærksom, se, hvad man laver, og bruge maskinen fornuftigt. Anvend aldrig elværktøj, hvis du er træt eller påvirket af stoffer, alkohol eller medicin.** Et øjeblikks uopmærksomhed under brugen af elværktøjet kan medføre alvorlige personskader.
- ▶ **Brug beskyttelsesudstyr, og hav altid beskyttelsesbriller på.** Brug af sikkerhedsudstyr som f.eks. støvmaske, skridsikket fodtøj, beskyttelseshjelm eller høreværn afhængigt af elværktøjets type og anvendelse nedsætter risikoen for personskader.
- ▶ **Undgå utilsigtet igangsætning. Kontrollér, at elværktøjet er frakoblet, før du slutter det til strømforsyningen og/eller batteriet, tager det op eller transporterer det.** Undgå at bære elværktøjet med fingeren på afbryderen, og sørg for, at det ikke er tændt, når det slutes til nettet, da dette øger risikoen for personskader.
- ▶ **Fjern indstillingsværktøj eller skruenøgler, inden elværktøjet tændes.** Hvis et stykke værktøj eller en nøgle sidder i en roterende maskindel, er der risiko for personskader.
- ▶ **Undgå at arbejde i unormale kroppsstillinger. Sørg for at stå sikkert, mens der arbejdes, og kom ikke ud af balance.** Det er derved nemmere at kontrollere elværktøjet, hvis der skulle opstå uventede situationer.
- ▶ **Brug egnet arbejdstøj. Undgå løse beklædningsgenstande eller smykker. Hold hår, tøj og handsker væk fra dele, der bevæger sig.** Dele, der er i bevægelse, kan gribe fat i løstsiddende tøj, smykker eller langt hår.
- ▶ **Hvis støvudsugnings- og opsamlingsudstyr kan monteres, er det vigtigt, at dette tilsluttes og benyttes korrekt.** Ved at anvende en støvudsugning er det muligt at nedsætte risiciene som følge af støv.
- ▶ **Man må ikke ignorere sikkerhedsreglerne for elværktøj, heller ikke selvom man er fortrolig med brugen af elværktøjet.** Uagtsomhed kan medføre alvorlig tilskadekomst inden for få sekunder.

#### Anvendelse og pleje af elværktøjet

- ▶ **Undgå at overbelaste maskinen. Brug altid en maskine, der er beregnet til det stykke arbejde, der skal udføres.** Med det rigtige værktøj arbejder man bedst og mest sikkert inden for det angivne effektområde.
- ▶ **Brug ikke elværktøj, hvis afbryderen er defekt.** En maskine, der ikke kan startes og stoppes, er farlig og skal repareres.
- ▶ **Træk stikket ud af stikkontakten, og/eller fjern batteriet fra maskinen, inden du foretager indstillinger på den, skifter tilbehør og dele eller lægger den til side.** Disse sikkerhedsforanstaltninger forhindrer utilsigtet start af elværktøjet.
- ▶ **Opbevar ubenyttede elværktøjer uden for børns rækkevidde. Lad aldrig personer, der ikke er fortrolige med maskinen eller ikke har gennemlæst sikkerhedsanvisningerne, benytte denne.** Elværktøj er farligt, hvis det benyttes af ukyndige personer.
- ▶ **Sørg for at pleje elværktøj omhyggeligt. Kontrollér, om bevægelige dele fungerer korrekt og ikke sidder fast, og om delene er brækket eller beskadiget, således at elværktøjets funktion påvirkes. Få beskadigede dele repareret, inden elværktøjet tages i brug.** Mange uheld skyldes dårligt vedligeholdte elværktøjer.
- ▶ **Sørg for, at skæreværktøjer er skarpe og rene.** Omhyggeligt vedligeholdte skæreværktøjer med skarpe skærekanter sætter sig ikke så hurtigt fast og er nemmere at føre.
- ▶ **Anvend elværktøj, tilbehør, indsatsværktøj osv. i overensstemmelse med disse anvisninger. Tag hensyn til arbejdsforholdene og det arbejde, der skal udføres.** I tilfælde af anvendelse af maskinen til formål, som ligger uden for det fastsatte anvendelsesområde, kan der opstå farlige situationer.
- ▶ **Sørg for, at greb og gribeflader er tørre, rene og fri for olie og fedt.** Glatte greb og gribeflader gør betjeningen usikker, og det kan være svært at styre elværktøjet i uforudsete situationer.

#### Anvendelse og pleje af batteridrevet elværktøj

- ▶ **Oplad kun batterier i ladere, der er anbefalet af fabrikanten.** Der er risiko for brand, hvis en lader, der er beregnet til et bestemt batteri, anvendes til opladning af en anden batteritype.
- ▶ **Brug kun de batterier, der er beregnet til elværktøjet.** Brug af andre batterier øger risikoen for personskader og er forbundet med brandfare.





- ▶ **Ikke benyttede batterier må ikke komme i berøring med kontorclips, mønter, nøgler, søm, skruer eller andre små metalgenstande, da disse kan kortslutte kontaktterne.** En kortslutning mellem batterikontaktterne øger risikoen for personskader i form af forbrændinger.
- ▶ **Hvis batteriet anvendes forkert, kan der løbe væske ud af batteriet. Undgå at komme i kontakt med denne væske. Hvis det alligevel skulle ske, skylles med vand. Søg læge, hvis væsken kommer i øjnene.** Batterivæske kan give hudirritation eller forbrændinger.
- ▶ **Brug aldrig et beskadiget eller ændret batteri.** Beskadigede eller ændrede batterier kan virke utilsigtet og medføre brand, eksplosion eller risiko for tilskadekomst.
- ▶ **Batterier må ikke udsættes for åben ild eller høje temperaturer.** Ild eller temperaturer over 130 °C (265 °F) kan medføre eksplosion.
- ▶ **Følg alle anvisninger vedrørende opladning, og oplad aldrig batteriet eller det batteridrevne værktøj uden for det temperaturområde, der er anført i betjeningsvejledningen.** Forkert opladning eller opladning uden for det tilladte temperaturområde kan ødelægge batteriet og øge risikoen for brand.

#### Service

- ▶ **Sørg for, at elværktøjet kun repareres af kvalificerede fagfolk, og at der altid benyttes originale reservedele.** Dermed sikres størst mulig elværktøjsikkerhed.
- ▶ **Forsøg aldrig at reparere beskadigede batterier.** Al vedligeholdelse af batterier skal foretages af producenten eller af autoriserede forhandlere.

## 2.2 Yderligere sikkerhedsanvisninger for savning med frem- og tilbagegående savklinge

- ▶ **Hold maskinen på de isolerede grebsflader, når du udfører opgaver, hvor indsatsværktøjet kan ramme skjulte strømledninger.** Ved kontakt med en spændingsførende ledning kan også metalliske værktøjsdele sættes under spænding, hvilket kan medføre elektrisk stød.
- ▶ **Emnet skal fastgøres og sikres på et stabilt underlag med skruetvinger eller på anden vis.** Hvis du kun holder emnet med hånden eller mod din krop, ligger det ustabil, hvilket kan medføre, at du mister kontrollen over det.

## 2.3 Yderligere sikkerhedsanvisninger vedrørende save

### Personlig sikkerhed

- ▶ Hold hænderne væk fra saveområdet og savklingen. Hold fast i ekstragrebet eller motorhuset med den anden hånd. Når du bruger begge hænder til at holde save, kommer du ikke til skade med hænderne på save.
- ▶ Anvend kun produktet i teknisk fejlfri stand.
- ▶ Foretag aldrig manipulationer eller ændringer på maskinen.
- ▶ Brug også beskyttelseshandsker, når du skifter værktøj. Berøring af indsatsværktøjet kan medføre snitsår og forbrændinger.
- ▶ Find ud af, hvilken fareklasse det støv, der opstår ved arbejdet, har, inden du går i gang med arbejdet. Anvend en industristøvsuger med en officielt tilladt beskyttelsesklassificering, som opfylder de lokale støvbeskyttelsesbestemmelser. Støv fra materialer såsom blyholdig maling, visse træsorter, beton / murværk / natursten, som indeholder kvarts, og mineraler samt metal kan være sundhedsfarlige.
- ▶ Sørg for en god ventilation af arbejdspladsen, og brug om nødvendigt et åndedrætsværn, som egner sig til den pågældende støvtype. Berøring eller indånding af støv kan medføre allergiske reaktioner og/eller luftvejssygdomme hos brugeren eller personer, der opholder sig i nærheden. Asbestholdige materialer må kun håndteres af fagfolk.
- ▶ Tag ikke fat under emnet.
- ▶ Hold aldrig emnet i hånden eller over et ben. Fastgør emnet på en stabil holder.
- ▶ Hold altid maskinen med begge hænder på de dertil beregnede håndtag, og anbring armene i en position, hvor du kan absorbere tilbageslagskræfterne.
- ▶ Sørg for, at håndgrebene er tørre og rene.
- ▶ Hold dig altid på siden af savklingen, anbring aldrig kroppen på linje med savklingen. Ved et tilbageslag kan save springe baglæns!
- ▶ Hvis savklingen sætter sig fast, eller du afbryder arbejdet, skal du slukke save og holde save roligt, indtil savklingen står helt stille. Forsøg aldrig at tage save ud af emnet eller trække den baglæns, så længe savklingen bevæger sig, da der ellers er risiko for et tilbageslag.
- ▶ Hvis du vil starte en sav, som befinder sig i et emne, skal du centrere savklingen i savsporet og kontrollere, at savtænderne ikke sidder fast i emnet.
- ▶ Vær specielt forsigtig ved savning i eksisterende vægge eller andre områder, hvor du ikke kan se, hvad de indeholder. Den neddykkende savklinge kan blokere ved savning i skjulte genstande og medføre et tilbageslag.



## Elektrisk sikkerhed

- ▶ Kontrollér før påbegyndelse af arbejdet arbejdsområdet for skjulte elektriske ledninger, gas- og vandrør, f.eks. med en metaldetektor. Udvendige metaldele på maskinen kan medføre elektrisk stød, hvis du ved en fejl kommer til at beskadige en elledning.
- ▶ Hold maskinen på de isolerede grebsflader, når du udfører opgaver, hvor indsatsværktøjet kan ramme skjulte strømledninger. Ved kontakt med en spændingsførende ledning kan også metalliske værktøjsdele sættes under spænding, hvilket kan medføre elektrisk stød.

## Omhyggelig omgang med og brug af elværktøj

- ▶ Anvend ikke sløve eller beskadigede savklinger. De forårsager en højere friktion, fastklemning af savklingen eller tilbageslag.
- ▶ Overhold producentens anvisninger for håndtering og opbevaring af savklinger.
- ▶ Maskinen skal presses mod det emne, der skal bearbejdes, med anslaget. Dette garanterer et optimalt og sikkert arbejde.
- ▶ Beskyt dig mod varme spåner med passende beskyttelsestøj.

## 2.4 Yderligere sikkerhedsanvisninger

- ▶ Anvend kun produktet i teknisk fejlfri stand.
- ▶ Foretag aldrig manipulationer eller ændringer på maskinen.
- ▶ Anvend ikke sløve eller beskadigede savklinger. De forårsager en højere friktion, fastklemning af savklingen eller tilbageslag.
- ▶ Kontrollér før påbegyndelse af arbejdet arbejdsområdet for skjulte elektriske ledninger, gas- og vandrør, f.eks. med en metaldetektor. Udvendige metaldele på maskinen kan medføre elektrisk stød, hvis du ved en fejl kommer til at beskadige en elledning.
- ▶ Fastgør emnet på en stabil holder. Hold aldrig emnet i hånden eller over et ben.
- ▶ Tænd først produktet, når det er i arbejdsposition.
- ▶ Før altid maskinen væk fra kroppen under arbejdet.
- ▶ Arbejd med et moderat tryk på maskinen og en egnet skærehastighed, specielt ved store rørdiameter. Dette forhindrer overophedning af maskinen.
- ▶ Ved kapning af rørledninger skal du forvise dig om, at ledningerne ikke længere indeholder væske. I givet fald skal de tømmes.
- ▶ Hold altid maskinen højere end det rør, der skal saves igennem.
  - ↳ Maskinen er ikke beskyttet mod fugtindtrængen. Udstrømmende væske kan forårsage en kortslutning i maskinen.
- ▶ Sav aldrig i ukendte underlag, og hold skærelinjen fri for forhindringer øverst og nederst.
  - ↳ Savklingen kan slå tilbage, hvis den rammer en genstand.
- ▶ Brug også beskyttelseshandsker, når du skifter værktøj. Berøring af indsatsværktøjet kan medføre snitsår og forbrændinger.
- ▶ Fjern altid batteriet, når det ikke anvendes, før vedligeholdelse, udskiftning af værktøj og under transport.
- ▶ Aktiver transportsikringen ved opbevaring og transport af maskinen.
- ▶ Overhold producentens anvisninger for håndtering og opbevaring af savklinger.
- ▶ Brugeren og personer, der opholder sig i nærheden, skal under brugen af maskinen bære beskyttelsesbriller, sikkerhedshjelm, høreværn, beskyttelseshandsker og et let åndedrætsværn.
- ▶ Anvend altid en savklinge med en passende længde. Savklingen skal rage ud over emnet under hele vandringer.
- ▶ Hold pauser under arbejdet, og lav afspændings- og fingerøvelser, så dine fingre får en bedre blodgennemstrømning.
- ▶ Kig ikke direkte ind i belysningen (lysdiode), og lys ikke ind i ansigtet på andre personer. Der er fare for at blive blændet.
- ▶ Splinterne fra materialet kan medføre skader på legeme og øjne. Brug personligt beskyttelsesudstyr, og hav altid beskyttelsesbriller og beskyttelseshandsker på.
- ▶ Ved gennembrydningsarbejde skal du huske at sikre området på den modsatte side.

## 2.5 Omhyggelig omgang med og brug af batterier

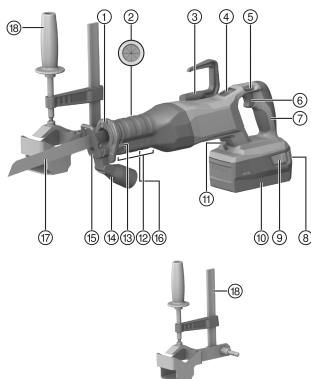
- ▶ Læs de særlige retningslinjer for transport, opbevaring og brug af lithium-ion-batterier.
- ▶ Hold batterier på sikker afstand af høje temperaturer, direkte solindstråling og ild.
- ▶ Batterierne må ikke adskilles, klemmes, opvarmes til over 80 °C eller brændes.



- ▶ Anvend og oplad ikke batterier, som har fået et slag, er faldet på gulvet fra mere end en meters højde eller på anden vis er blevet beskadiget. Kontakt i så fald altid **Hilti Service**.
- ▶ Hvis batteriet er for varmt til at kunne røres, kan det være defekt. Placer produktet på et ikke-brændbart sted i tilstrækkelig afstand til brændbare materialer, hvor det er muligt at holde øje med det, og lad det køle af. Kontakt i så fald altid **Hilti Service**.

### 3 Beskrivelse

#### 3.1 Produktoversigt



- ① Værktøjholder
- ② Holder til skæreadapter
- ③ Klappbar stilladskrog
- ④ Forvalg af omdrejningstal
- ⑤ Transportsikring
- ⑥ Afbryder
- ⑦ Bageste håndtag
- ⑧ Batteritilstandsindikator
- ⑨ Batterifrigøringsknap
- ⑩ Batteri
- ⑪ Sikringsøje
- ⑫ Forreste grebsområde
- ⑬ Arm til frigøring af savklinge
- ⑭ Udsugningstilslutning (USA: Tilbehør)
- ⑮ Anslag
- ⑯ Frigøringsknap til anslag
- ⑰ Savklinge
- ⑱ Skæreadapter (tilbehør)

#### 3.2 Bestemmelsesmæssig anvendelse

Det beskrevne produkt er en batteridrevet bajonetsav. Den er beregnet til kapning af træ, træliggende og metalliske materialer samt kunststoffer.

Produktet er beregnet til tohåndsbetjening.

- ▶ Anvend kun **Hilti** Li-Ion-batterier i typeserien B 36 til dette produkt.
- ▶ Anvend kun **Hilti** ladere i C4/36-serien til disse batterier.

#### 3.3 Potentiel forkert brug

- ▶ Sav ikke i tegl, beton, gasbeton, natursten eller fliser.
- ▶ Anvend ikke produktet til overskæring af rørledninger, som fortsat indeholder væske.
- ▶ Sav kun i underlag, hvor du kender indholdet.

#### 3.4 Indikator for lithium-ion-batteriet

Lithium-ion-batteriets ladetilstand og fejl på maskinen signaleres via lithium-ion-batteriets indikator. Lithium-ion-batteriets ladetilstand vises efter berøring af de to batterifrigøringsknapper.

Tilstand	Betydning
4 lysdioder lyser.	Ladetilstand: 75 % til 100 %
3 lysdioder lyser.	Ladetilstand: 50 % til 75 %
2 lysdioder lyser.	Ladetilstand: 25 % til 50 %
1 lysdiode lyser.	Ladetilstand: 10 % til 25 %
1 lysdiode blinker.	Ladetilstand: < 10 %
1 lysdiode blinker, maskinen er ikke klar til brug.	Batteriet er overophedet eller helt afladet.
4 lysdioder blinker, maskinen er ikke klar til brug.	Maskinen er overbelastet eller overophedet.



**i** Når afbryderen er aktiveret, og op til 5 sekunder efter at afbryderen er sluppet, er det ikke muligt at få vist ladetilstanden.

Hvis lysdioderne på batteriets indikator blinker, henvises til beskrivelsen i kapitlet Fejlafhjælpning.

### 3.5 Leveringsomfang

Bajonetsav, brugsanvisning.

Andre systemprodukter, som er godkendt til dit produkt, finder du i **Hilti Store** eller på: [www.hilti.group](http://www.hilti.group).

## 4 Tekniske data

	SR 30-A36
Nominal spænding	36 V
Vægt i henhold til EPTA-procedure 01	5,2 kg
Slagtal (Trin 1)	2.000/min
Slagtal (Trin 2)	2.800/min
Slaglængde	32 mm
Værktøjsholder	0,5 in
Omgivende temperatur under drift	-17 °C ... 60 °C
Opbevaringstemperatur	-20 °C ... 70 °C

### 4.1 Støjinformation og vibrationsværdier iht. EN 62841

Lydtryk- og vibrationsværdier i denne brugsanvisning er målt i henhold til en standardiseret målemetode og kan anvendes til sammenligning af forskellige elværktøjer. De kan også anvendes til en foreløbig vurdering af den eksponering, brugeren udsættes for.

De anførte data repræsenterer elværktøjets primære anvendelsesformål. Hvis elværktøjet imidlertid anvendes til andre formål, med andre indsatsværktøjer eller utilstrækkelig vedligeholdelse, kan dataene afvige. Dette kan forøge den eksponering, som brugeren udsættes for, i hele arbejdstiden markant.

For at opnå en præcis vurdering af den eksponering, som brugeren udsættes for, bør også den tid, hvor maskinen er slukket eller blot kører uden at blive anvendt, inddrages. Dette kan reducere den eksponering, som brugeren udsættes for, i hele arbejdstiden markant.

Fastlæg yderligere sikkerhedsforanstaltninger til beskyttelse af brugeren mod støj- og/eller vibrationspåvirkninger, f.eks. er det vigtigt at vedligeholde elværktøj og indsatsværktøj, at holde hænderne varme og at organisere arbejdsprocesserne.

#### Støjinformation

	SR 30-A36
Lydeffektniveau ( $L_{WA}$ )	96 dB(A)
Usikkerhed, lydeffektniveau ( $K_{WA}$ )	5 dB(A)
Lydtrykniveau ( $L_{pA}$ )	85 dB(A)
Usikkerhed, lydtrykniveau ( $K_{pA}$ )	5 dB(A)

#### Samlede vibrationsværdier

	SR 30-A36
Vibrationsemissionsværdi, savning i spånbjælker ( $a_{h,B}$ )	22,5 m/s <sup>2</sup>
Usikkerhed, savning i spånplader (K)	3,7 m/s <sup>2</sup>
Vibrationsemissionsværdi, savning i træbjælker ( $a_{h,WB}$ )	20,5 m/s <sup>2</sup>
Usikkerhed, savning i træbjælker (K)	3,3 m/s <sup>2</sup>

### 4.2 Batteri

Batteridriftsspænding	36 V
Omgivende temperatur under drift	-17 °C ... 60 °C



Opbevaringstemperatur	-20 °C ... 40 °C
Batteriets temperatur ved start af ladning	-10 °C ... 45 °C

## 5 Forberedelse af arbejdet

### FORSIGTIG

#### Fare for personskader på grund af utilsigtet start!

- ▶ Før isætning af batteriet skal du kontrollere, at det tilhørende produkt er slukket.
- ▶ Fjern batteriet fra maskinen, inden du foretager indstillinger eller skifter tilbehørsdele på den.

Følg sikkerheds- og advarselshenvisningerne i denne dokumentation og på produktet.

### 5.1 Opladning af batteri

1. Læs brugsanvisningen til laderen før opladning.
2. Vær opmærksom på, at kontakterne på batteriet og laderen er rene og tørre.
3. Oplad batteriet i en godkendt lader.

### 5.2 Isætning af batteri

#### FORSIGTIG

#### Fare for personskader på grund af kortslutning eller batteri, der falder på gulvet!

- ▶ Før isætning af batteriet skal du kontrollere, at batteriets kontakter og kontakterne på produktet er fri for fremmedlegemer.
- ▶ Kontrollér, at batteriet altid går korrekt i indgreb.

1. Lad batteriet helt op før første ibrugtagning.
2. Sæt batteriet i maskinholderen, indtil det går hørbart i indgreb.
3. Kontrollér, at batteriet er sat korrekt i.

### 5.3 Fjernelse af batteri

1. Tryk på batteriets frigøringsknapper.
2. Træk batteriet ud af holderen.

### 5.4 Montering af stilladskrog (tilbehør)

1. Aktiver transportsikringen.
2. Monter stilladskrogen.

### 5.5 Indsætning af savklinge



Anvend kun savklinger med 1/2" indstiksender.

1. Aktivér transportsikringen, eller adskil batteriet fra maskinen.
2. Kontrollér, at indstiksenden på værktøjet er ren og let indfedtet. Rengør og smør om nødvendigt indstiksenden let.
3. Skub låsegrebet op indtil anslag, og hold det i denne position.
4. Tryk savklingen ind i værktøjsholderen forfra.
5. Lad låsegrebet glide tilbage.
6. Kontrollér, om savklingen er gået i indgreb, ved at trække i den.

### 5.6 Montering af udsugningstilslutning (USA: Tilbehør)

1. Træk anslaget ud.
2. Sæt udsugningstilslutningen på anslagsholderen.
3. Skub anslaget, der er smurt med et tyndt lag fedt, helt ind i styret.



## 6 Betjening

---

### FORSIGTIG

#### Fare for personskader på grund af kortslutning eller batteri, der falder på gulvet!

- ▶ Før isætning af batteriet skal du kontrollere, at batteriets kontakter og kontakterne på produktet er fri for fremmedlegemer.
  - ▶ Kontrollér, at batteriet altid går korrekt i indgreb.
- 

Følg sikkerheds- og advarselshenvisningerne i denne dokumentation og på produktet.

### 6.1 Førning af saven

1. Hold fast i saven på de dertil beregnede greb.
2. Før saven hen til emnet.
3. Før saven frem og tilbage.
  - ↳ Hvis du trykker saven på emnet, kan savklingen brække, hvilket kan medføre personskader.

### 6.2 Savning

#### ADVARSEL

**Fare for personskader på grund af defekt stilladskrog!** En maskine, som falder på gulvet, kan være til fare for dig selv og andre.

- ▶ Kontrollér før arbejdets begyndelse, at stilladskrogen er sikkert fastgjort og ikke er beskadiget.
- 

1. Deaktiver transportsikringen, og tryk på afbryderen.
  - ↳ På billederne kan du se forskellige måder, hvorpå du kan føre saven effektivt.
2. Når savearbejdet er afsluttet, skal du slippe afbryderen.
3. Aktiver transportsikringen.

### 6.3 Fjernelse af savklinge

#### FORSIGTIG

**Fare for personskader!** Indsatsværktøjet kan være meget varmt og/eller have skarpe kanter.

- ▶ Brug beskyttelseshandsker ved skift af indsatsværktøjet.
  - ▶ Læg aldrig et meget varmt indsatsværktøj på et brændbart underlag.
- 

1. Aktivér transportsikringen, eller adskil batteriet fra maskinen.
2. Skub låsegrebet op indtil anslag, og hold det i denne position.
3. Træk savklingen fremad og ud af værktøjsholderen.
4. Lad låsegrebet glide tilbage.

## 7 Rengøring og vedligeholdelse

---

### ADVARSEL

**Fare for personskader ved isat batteri !**

- ▶ Fjern altid batteriet før alle pleje- og vedligeholdelsesarbejder!
- 

#### Pleje af produktet

- Fjern forsigtigt fastsiddende snavs.
- Rengør forsigtigt ventilationsåbningerne med en tør børste.
- Rengør kun kabinettet med en let fugtet klud. Undlad at anvende silikoneholdige plejemidler, da de kan angribe plastdelene.
- Rengør og smør regelmæssigt værktøjsholderen udefra. Anvend til dette formål **Hilti** Spray 314648.

#### Pleje af lithium-ion-batterier

- Sørg for at holde batteriet tørt og fri for olie og fedt.
- Rengør kun kabinettet med en let fugtet klud. Undlad at anvende silikoneholdige plejemidler, da de kan angribe plastdelene.
- Undgå indtrængen af fugt.



## Vedligeholdelse

- Kontrollér regelmæssigt alle synlige dele for skader, og at betjeningselementerne fungerer fejlfrit.
- Anvend ikke produktet i tilfælde af beskadigelse og/eller funktionsfejl. Få omgående udført reparation hos **Hilti Service**.
- Monter alle beskyttelsesanordninger efter pleje- og vedligeholdelsesarbejder, og kontrollér dem for funktion.



Anvend kun originale reservedele og forbrugsmaterialer af hensyn til en sikker drift. Reservedele, forbrugsmaterialer og tilbehør til dit produkt, som vi har godkendt, finder du i dit **Hilti Store Center** eller under: **www.hilti.group**.

### 7.1 Udskiftning af anslaget



Anslaget kan udskiftes efter behov.

1. Fjern batteriet.
2. Fjern savklingen. → Side 32
3. Tryk på den røde frigøringsknap til anslaget på undersiden af bajonetsaven.
4. Træk anslaget ud.
5. Tryk på den røde frigøringsknap til anslaget på undersiden af bajonetsaven.
6. Skub anslaget, der er smurt med et tyndt lag fedt, helt ind i styret.
7. Kontrollér, at anslaget er gået i indgreb.

## 8 Transport og opbevaring af batteridrevne maskiner

### Transport



#### Utsigtet start ved transport !

- ▶ Transportér altid dine produkter uden isat batteri!
- ▶ Tag batteriet ud.
- ▶ Transportér aldrig batterier liggende løst og ubeskyttet.
- ▶ Kontrollér maskine og batterier for skader før ibrugtagning efter længere transport.

### Opbevaring



#### Utsigtet beskadigelse på grund af defekte eller utætte batterier !

- ▶ Opbevar altid dine produkter uden isat batteri!
- ▶ Opbevar maskine og batterier så køligt og tørt som muligt.
- ▶ Opbevar aldrig batterier i direkte sollys, på radiatorer eller i et vindue.
- ▶ Opbevar maskine og batterier utilgængeligt for børn og uvedkommende personer.
- ▶ Kontrollér maskine og batterier for skader før ibrugtagning efter længere tids opbevaring.

## 9 Fejlafhjælpning

Ved fejl, som ikke fremgår af denne tabel, eller som du ikke selv kan afhjælp, beder vi dig om at kontakte **Hilti Service**.

### 9.1 Bajonetsaven er ikke funktionsdygtig

Fejl	Mulig årsag	Løsning
Maskinen starter ikke.	Batteriet er ikke korrekt isat.	▶ Bring batteriet i indgreb med et hørbart klik.
	Batteri tomt.	▶ Oplad batteriet.
	Transportsikring ikke aktiveret.	▶ Aktiver transportsikringen.



Fejl	Mulig årsag	Løsning
Savklingen kan ikke fjernes fra værktøjsholderen.	Låsegrebet ikke trykket ned indtil anslag.	▶ Tryk på låsegrebet indtil anslag, og tag savklingen ud.
	Værktøjsholder med tilstoppet med saverester.	▶ Fjern saveresterne, og rengør regelmæssigt værktøjsholderen udefra. Pleje af maskinen. → Side 32

## 9.2 Bajonetsaven er funktionsdygtig

Fejl	Mulig årsag	Løsning
Maskinen har ikke fuld ydelse.	Afbryderen er ikke trykket helt ind.	▶ Tryk afbryderen helt i bund.
	Aflad batteri	▶ Udskift batteriet, og oplad det tomme batteri.
Savklingen kan ikke fjernes fra værktøjsholderen.	Låsegrebet ikke trykket ned indtil anslag.	▶ Tryk på låsegrebet indtil anslag, og tag savklingen ud.

## 10 Bortskaffelse

Størstedelen af de materialer, som anvendes ved fremstillingen af **Hilti**-produkter, kan genvindes. Materialerne skal sorteres, før de kan genvindes. I mange lande modtager **Hilti** dine udtjente instrumenter med henblik på genvinding. Spørg **Hilti** kundeservice eller din forhandler.

### Bortskaffelse af batterier

Som følge af ukorrekt bortskaffelse af batterier kan der opstå sundhedsfare på grund af lækkende gasser eller væsker.

- ▶ Beskadede batterier må under ingen omstændigheder sendes!
- ▶ Tildæk kontakterne med et ikke-ledende materiale, så kortslutninger undgås.
- ▶ Bortskaf batterier på en sådan måde, at børn ikke kan få fat på dem.
- ▶ Bortskaf batteriet hos din **Hilti Store**, eller henvend dig til det ansvarlige renovationsfirma.



- ▶ Elværktøj, elektriske maskiner og batterier må ikke bortskaffes sammen med almindeligt husholdningsaffald!

## 11 RoHS (direktiv til begrænsning af anvendelsen af farlige stoffer)

Under følgende link finder du tabellen med farlige stoffer: [qr.hilti.com/r5962277](http://qr.hilti.com/r5962277).

Et link til RoHS-tabellen finder du i slutningen af denne dokumentation som QR-kode.

## 12 Producentgaranti

- ▶ Hvis du har spørgsmål vedrørende garantibetingelserne, bedes du henvende dig til din lokale **Hilti**-partner.





# 1 Uppgifter för dokumentation

## 1.1 Om denna dokumentation

- Läs denna dokumentation innan du börjar ta enheten i drift. Det är en förutsättning för säkert arbete och problemfri hantering.
- Observera de säkerhets- och varningsanvisningar som du hittar i dokumentationen och på själva enheten.
- Förvara alltid bruksanvisningen tillsammans med produkten och överlämna aldrig produkten till någon annan utan att bifoga den.

## 1.2 Teckenförklaring

### 1.2.1 Varningar

Varningarna är till för att varna för risker i samband med användning av produkten. Följande riskindikeringar används:

#### **FARA**

##### **FARA !**

- ▶ Anger överhängande risker som kan leda till svåra personskador eller dödsolycka.

#### **VARNING**

##### **VARNING !**

- ▶ Anger potentiella risker som kan leda till svåra personskador eller dödsfall.





#### **FÖRSIKTIGHET**

##### **FÖRSIKTIGHET !**

- ▶ Används för att fästa uppmärksamhet på en potentiell risksituation som kan leda till skador på person eller utrustning.


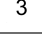
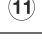

### 1.2.2 Symboler i dokumentationen

I den här dokumentationen används följande symboler:

	Läs bruksanvisningen före användning
	Anmärkningar och annan praktisk information
	Hantering av återvinningsbara material
	Elverktyg och batterier får inte kastas i hushållssoporna

### 1.2.3 Symboler i bilderna

Följande symboler används i bilder:

	Dessa siffror hänvisar till motsvarande bild i början av bruksanvisningen
	Numreringen återger ordningsföljden hos arbetsmomenten på bilden och kan skilja sig från arbetsmomenten i texten
	På bilden <b>Översikt</b> används positionsnummer som hänvisar till siffrorna i teckenförklaringen i avsnittet <b>Produktöversikt</b>
	Det här tecknet är till för att du ska vara extra uppmärksam på något som gäller hur du hanterar produkten.

## 1.3 Produktberoende symboler

### 1.3.1 Symboler på produkten

Följande symboler kan förekomma på produkten:



	Likström
$n_0$	Tomgångsslagtal
	Trådlös dataöverföring
Li-Ion	Litiumjonbatteri
	<b>Hilti-litiumjonbatteriserie som används. Observera uppgifterna i kapitlet <b>Avsedd användning</b>.</b>

## 1.4 Produktinformation

-produkter är avsedda för professionella användare och får endast användas, underhållas och repareras av auktoriserad, utbildad personal. Personalen måste vara särskilt informerad om de risker som finns. Produkten och dess tillbehör kan utgöra en risk om den används på ett felaktigt sätt av utbildad personal eller inte används enligt föreskrifterna.

Typbeteckning och serienummer anges på typskylten.

- ▶ Använd de serienummer som anges i följande tabell. Du behöver produktuppgifterna när du kontaktar vår återförsäljare eller serviceverkstad.

### Produktdetaljer

Tigersåg	SR 30-A36
Generation	01
Serienr	

## 1.5 Försäkringen om överensstämmelse

Vi försäkras på eget ansvar att den produkt som beskrivs här överensstämmer med gällande direktiv och standarder. En bild på försäkringen om överensstämmelse hittar du i slutet av dokumentationen.

Den tekniska dokumentationen finns sparad här:

**Hilti** Entwicklungsgesellschaft mbH | Zulassung Geräte | Hiltistraße 6 | 86916 Kaufering, Tyskland

## 2 Säkerhet

### 2.1 Allmänna säkerhetsföreskrifter för elverktyg

**⚠ VARNING** Läs noga igenom alla säkerhetsföreskrifter, anvisningar, utbildningar och tekniska data som medföljer detta elverktyg. Om nedanstående anvisningar inte följs, finns risk för elektriska stötar, brand och/eller svåra skador.

**Förvara alla säkerhetsföreskrifter och anvisningarna på ett säkert ställe för framtida användning.**

Begreppet "elverktyg" som används i säkerhetsföreskrifterna avser nätdrivna elverktyg (med nätkabel) och batteridrivna elverktyg (sladdlösa).

#### Säker arbetsmiljö

- ▶ **Håll arbetsområdet rent och väl belyst.** Oordning eller bristfällig belysning på arbetsplatsen kan leda till olyckor.
- ▶ **Arbeta inte med elverktyget i omgivningarna med explosionsrisk där det finns brännbara vätskor, gaser eller damm.** Elverktyget alstrar gnistor som kan antända dammet eller gaserna.
- ▶ **Håll barn och obehöriga personer på betryggande avstånd under arbetet med elverktyget.** Om du störs av obehöriga personer kan du förlora kontrollen över verktyget.

#### Elsäkerhet

- ▶ **Elverktygets elkontakt måste passa till vägguttaget. Elkontakten får absolut inte ändras. Använd inte adapterkontakter tillsammans med skyddsjordade elverktyg.** Originalkontakter och lämpliga vägguttag minskar risken för elstötar.
- ▶ **Undvik kroppskontakt med jordade ytor som rör, värmeelement, spisar och kylskåp.** Det finns en större risk för elstötar om din kropp är jordad.
- ▶ **Skydda elverktyget från regn och väta.** Tränger vatten in i ett elverktyg ökar risken för elstötar.
- ▶ **Använd inte anslutningskabeln på ett felaktigt sätt, t.ex. genom att bära eller hänga upp elverktyget i den eller dra i den för att lossa elkontakten ur vägguttaget. Håll anslutningskabeln på avstånd**



från värmekällor, olja, vassa kanter och rörliga delar. Skadade eller tilltrasslade anslutningskablar ökar risken för elstötar.

- ▶ **När du arbetar med ett elverktyg utomhus, använd endast förlängningskablar som är avsedda för utomhusbruk.** Genom att använda en lämplig förlängningskabel för utomhusbruk minskar du risken för elstötar.
- ▶ **Om det är alldeles nödvändigt att använda verktyget i fuktig miljö ska du använda en jordfelsbrytare.** Användning av jordfelsbrytare minskar risken för elstötar.

#### Personsäkerhet

- ▶ **Var uppmärksam, ha uppsikt över vad du gör och använd elverktyget med förnuft. Använd aldrig elverktyg om du är trött eller påverkad av droger, alkohol eller medicin.** En kort sekund av bristande uppmärksamhet när du arbetar med ett elverktyg kan leda till att du skadar dig själv eller någon annan svårt.
- ▶ **Bär alltid personlig skyddsutrustning och skyddsglasögon.** Genom att använda personlig skyddsutrustning som t.ex. dammskyddsmask, halkfria säkerhetsskor, hjälm eller hörselskydd, beroende på vilket elverktyg du använder och till vad, minskar du risken för kroppsskada.
- ▶ **Undvik oavsiktlig igångsättning. Se till att elverktyget är fränkopplat innan du ansluter det till nätströmmen och/eller batteriet, tar upp det eller bär det.** Om du bär elverktyget med fingret på strömbrytaren eller ansluter ett tillkopplat verktyg till nätströmmen kan en olycka inträffa.
- ▶ **Ta bort alla inställningsverktyg och skruvnycklar innan du kopplar in elverktyget.** Ett verktyg eller en nyckel i en roterande komponent kan leda till skador.
- ▶ **Undvik en onormal kroppshållning. Se till att du står stadigt och håller balansen.** Då kan du lättare kontrollera elverktyget i oväntade situationer.
- ▶ **Bär lämpliga kläder. Bär inte löst hängande kläder eller smycken. Håll håret, kläderna och handskarna på avstånd från rörliga delar.** Löst hängande kläder, smycken och långt hår kan dras in av roterande delar.
- ▶ **När du använder elverktyg med anordningar för uppsugning och uppsamling av damm, bör du kontrollera att dessa anordningar är rätt monterade och används korrekt.** Används en dammsugare kan faror som orsakas av damm minskas.
- ▶ **Invagga dig inte i falsk säkerhet och strunta inte säkerhetsreglerna för elverktyg även om du har stor vana vid att arbeta med elverktyget.** Oförsiktig hantering kan leda till allvarliga skador inom bråkdelar av en sekund.

#### Användning och hantering av elverktyg

- ▶ **Överbelasta inte verktyget. Använd elverktyg som är avsedda för det aktuella arbetet.** Med ett lämpligt elverktyg kan du arbeta bättre och säkrare inom angivet effektområde.
- ▶ **Använd aldrig elverktyget om strömbrytaren är defekt.** Ett elverktyg som inte kan kopplas in eller ur är farligt och måste repareras.
- ▶ **Dra ut elkontakten ur uttaget och/eller ta i förekommande fall bort det löstagbara batteriet innan du gör inställningar, byter tillbehör eller lägger ifrån dig verktyget.** Denna skyddsåtgärd förhindrar att du eller någon annan råkar sätta igång elverktyget av misstag.
- ▶ **Förvara elverktyg oåtkomligt för barn. Verktyget får inte användas av personer som inte är vana eller inte har läst dessa anvisningar.** Elverktyg är farliga om de används av oerfarna personer.
- ▶ **Underhåll elverktygen och tillbehören noggrant. Kontrollera att rörliga komponenter fungerar felfritt och inte kärvar och att komponenter inte har brustit eller skadats så att elverktygets funktion påverkas negativt. Se till att skadade delar repareras innan verktyget används igen.** Många olyckor orsakas av dåligt skötta elverktyg.
- ▶ **Håll insatsverktygen skarpa och rena.** Omsorgsfullt skötta insatsverktyg med skarpa egg kommer inte så lätt i kläm och går lättare att styra.
- ▶ **Använd elverktyg, tillbehör, insatsverktyg osv. enligt dessa anvisningar. Ta hänsyn till arbetsvillkoren och arbetsmomenten.** Används elverktyget på icke ändamålsenligt sätt kan farliga situationer uppstå.
- ▶ **Se till att handtaget och greppytorna är torra, rena och fria från olja och fett.** Med hala handtag och gripkort går det inte att hantera och kontrollera elverktyget säkert i oväntade situationer.

#### Användning och hantering av batteriverktyg

- ▶ **Ladda endast batterierna i de laddare som tillverkaren har rekommenderat.** Brandrisk kan uppstå om en laddare som är avsedd för en viss typ av batterier används för andra batterityper.
- ▶ **Använd endast batterier som är avsedda för aktuellt elverktyg.** Används andra batterier finns det risk för kroppsskada och brand.
- ▶ **Håll gem, mynt, nycklar, spikar, skruvar och andra små metallföremål på avstånd från reservbatterier för att undvika kortslutning av kontaktarna.** En kortslutning av batteriets kontakter kan leda till brännskador eller brand.



- ▶ **Om batteriet används på fel sätt kan vätska rinna ur batteriet. Undvik kontakt med vätskan. Vid oavsiktlig kontakt, skölj med vatten. Om vätska kommer i kontakt med ögonen, uppsök dessutom läkare.** Batterivätskan kan orsaka hudirritation eller brännskada.
- ▶ **Använd aldrig skadade eller egenhändigt modifierade batterier.** Skadade eller modifierade batterier kan bete sig oförutsägbart och orsaka brand, explosioner eller risk för skador.
- ▶ **Utsätt aldrig batterier för öppen eld eller för höga temperaturer.** Öppen eld eller temperaturer över 130 °C (265 °F) kan orsaka explosion.
- ▶ **Följ alla anvisningar för laddning och ladda aldrig batteriet eller batteriverktyget vid temperaturer som ligger utanför det intervall som anges i bruksanvisningen.** Felaktigt utförd laddning eller laddning vid temperaturer utanför det tillåtna intervallet kan förstöra batteriet och öka risken för brand.

#### Service

- ▶ **Låt endast kvalificerad fackpersonal reparera elverktyget och använd då endast originalreservdelar.** Detta garanterar att verktygets säkerhet upprätthålls.
- ▶ **Utför aldrig underhåll på skadade batterier.** Underhåll av batterier får endast utföras av tillverkaren eller av auktoriserade kundservicecenter.

## 2.2 Ytterligare säkerhetsföreskrifter för sågning med fram- och återgående sågblad

- ▶ **Håll verktyget i de isolerade greppytorna medan du arbetar, eftersom det kan finnas risk att insatsverktyget stöter på en dold elledning.** Vid kontakt med en spänningssatt ledning kan metalldelar på verktyget spänningssättas och ge dig en stöt.
- ▶ **Fäst och säkra verktyget till exempel med tvingar vid ett stabilt underlag.** Om du håller arbetsstycket med handen eller mot kroppen förlir det labilt, vilket kan leda till att du förlorar kontrollen över verktyget.

## 2.3 Ytterligare säkerhetsföreskrifter för sågning

#### Personsäkerhet

- ▶ Håll händerna borta från sågbladet och området omkring det. Håll i extrahandtaget eller motorkåpan med den andra handen. Om du håller sågen med båda händerna kan de inte skadas vid sågningen.
- ▶ Använd verktyget bara om det är fullt funktionsdugligt.
- ▶ Manipulera eller ändra aldrig något på verktyget.
- ▶ Använd skyddshandskar även vid byte av insatsverktyg. Det finns risk för skär- och brännskador vid beröring av nyss använda insatsverktyg.
- ▶ Ta bort de dammpartiklar som har uppstått innan arbetet i riskklassen startas. Använd en byggdamm-sugare med en standardskyddsklassificering som motsvarar de lokala dammskyddsbestämmelserna. Damm från material med blyhaltig färg, vissa träslag, betong, tegel, sten som innehåller kvarts, mineraler och metall kan vara hälsovådliga.
- ▶ Se till att arbetsplatsen har god ventilation, och använd vid behov en andningsmask som är avsedd för damm av det aktuella slaget. Beröring eller inandning av damm kan orsaka allergiska reaktioner och/eller sjukdomar i andningsvägarna hos användaren eller hos personer som befinner sig i närheten. Asbesthaltigt material får bara hanteras av särskilt utbildad personal.
- ▶ Håll inte händerna under arbetsstycket.
- ▶ Håll aldrig fast arbetsstycket som ska sågas med handen eller stödd på ena benet. Fäst arbetsstycket vid ett stabilt underlag.
- ▶ Håll alltid verktyget stadigt med båda händerna i de avsedda handtagen och placera dina armar i en position som hjälper dig att stå emot bakslagskrafterna.
- ▶ Håll alltid handtaget torrt och rent.
- ▶ Håll sågbladet sidledes och se till att aldrig hålla det i linje med kroppen. Vid ett kast kan sågen hoppa bakåt!
- ▶ Om sågbladet fastnar eller om du avbryter arbetet ska du koppla från sågen och hålla kvar sågen tills sågbladet har stannat helt. Försök aldrig att dra ut sågen ur arbetsstycket eller att dra den bakåt så länge bladet roterar och kan göra ett kast.
- ▶ Om du vill starta en såg igen som är instucken i ett arbetsstycke centrerar du klingan i sågspåret och kontrollerar att tänderna inte har fastnat i arbetsstycket.
- ▶ Var extra försiktig vid sågning i befintliga väggar eller andra områden som du inte har full uppsikt över. Sågklingan kan fastna i dolda föremål och ett kast kan uppstå.

#### Elsäkerhet

- ▶ Undersök om det finns dolda el-, gas- och vattenledningar inom arbetsområdet innan du påbörjar arbetet. Utanpåliggande metalldelar på verktyget kan orsaka elstötar om du oavsiktligt råkar skada en elledning.



- ▶ Håll verktyget i de isolerade greppytorna medan du arbetar, eftersom det kan finnas risk att insatsverktyget stöter på en dold elledning. Vid kontakt med en spänningssatt ledning kan metalldelar på verktyget spänningssättas och ge dig en stöt.

### Omsorgsfull hantering och användning av elverktyg

- ▶ Använd inte slöa eller skadade sågblad. Dessa orsakar ökad friktion, klämning eller kast hos sågbladet.
- ▶ Observera tillverkarens anvisningar om hantering och förvaring av sågblad.
- ▶ Verktyget måste tryckas mot det arbetsstycke som ska bearbetas med kontaktskon. Detta garanterar optimalt och säkert arbete.
- ▶ Använd lämpliga skyddskläder som skydd mot heta spån.

## 2.4 Extra säkerhetsföreskrifter

- ▶ Använd verktyget bara om det är fullt funktionsdugligt.
- ▶ Manipulera eller ändra aldrig något på verktyget.
- ▶ Använd inte slöa eller skadade sågblad. Dessa orsakar ökad friktion, klämning eller kast hos sågbladet.
- ▶ Undersök om det finns dolda el-, gas- och vattenledningar inom arbetsområdet innan du påbörjar arbetet. Utanpåliggande metalldelar på verktyget kan orsaka elstötar om du oavsiktligt råkar skada en elledning.
- ▶ Fäst arbetsstycket vid ett stabilt underlag. Håll aldrig fast arbetsstycket som ska sågas med handen eller stödd på ena benet.
- ▶ Koppla inte till verktyget förrän i arbetsläge.
- ▶ Rikta alltid verktyget bort från kroppen när du sågar.
- ▶ Arbeta med måttligt anpressningstryck och avsedd såghastighet, särskilt vid stora rördiameter. På så vis undviks överhettning av verktyget.
- ▶ När du ska kapa rörledningar, se alltid efter att det inte är någon vätska kvar i ledningarna. Töm dem vid behov.
- ▶ När du sågar i rörledningar bör du alltid hålla verktyget högre än röret som ska kapas.
  - ↳ Verktyget är inte skyddat mot fukt. Vätska som rinner ut kan orsaka kortslutning i verktyget.
- ▶ Såga aldrig i okända underlag och håll såglinjen fri från hinder på både ovan- och undersidan.
  - ↳ Om sågbladet stöter på ett hårt föremål kan det ge en rekyl upp i verktyget.
- ▶ Använd skyddshandskar även vid byte av insatsverktyg. Det finns risk för skär- och brännskador vid beröring av nyss använda insatsverktyg.
- ▶ Ta alltid ur batteriet när det inte används, före underhåll, byte av insatsverktyg och transport.
- ▶ Aktivera transportsäkringens vid förvaring och transport av verktyget.
- ▶ Observera tillverkarens anvisningar om hantering och förvaring av sågblad.
- ▶ Användaren och personer som befinner sig i närheten måste under användningen bära skyddsglasögon, skyddshjälm, hörselskydd, skyddshandskar och lätt andningsskydd.
- ▶ Använd alltid sågblad med lämplig längd. Sågbladet måste sticka ut ur arbetsstycket under hela slaglängden.
- ▶ Gör pauser i arbetet samt utför avslappnings- och fingerövningar som ökar blodgenomströmningen i fingrarna.
- ▶ Titta inte direkt in i verktygets LED-belysning och undvik att lysa in ansiktet på andra personer. Risk för bländning.
- ▶ Splitter kan skada oskyddade kroppsdelar och ögon. Använd personlig skyddsutrustning och alltid skyddsglasögon och skyddshandskar.
- ▶ Vid genombrottsarbeten, tänk på att säkra området på motstående sida.

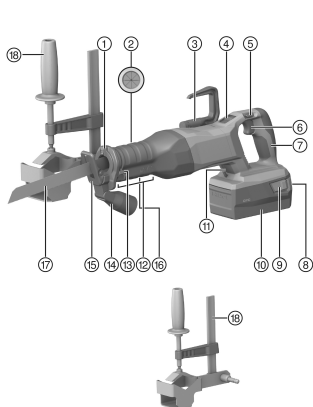
## 2.5 Omsorgsfull hantering och användning av batterier

- ▶ Observera de särskilda föreskrifterna för transport, förvaring användning av litiumjonbatterier.
- ▶ Utsätt inte batterierna för höga temperaturer, direkt solljus eller eld.
- ▶ Batterier får inte tas isär, klämmas, hettas upp över 80° eller brännas.
- ▶ Använd eller ladda inte batterier som tagit emot slag, har fallit från över en meters höjd eller är skadade på något annat sätt. I sådana fall, kontakta **Hilti Service**.
- ▶ Om batteriet är så hett att du inte kan ta i det kan det vara defekt. Ställ produkten på en plats där inget riskerar att fatta eld och på betryggande avstånd från brännbart material, där du kan hålla den under uppsikt medan batteriet svalnar. I sådana fall, kontakta **Hilti Service**.



### 3 Beskrivning

#### 3.1 Produktöversikt



- ① Chuck
- ② Fäste för skäradaptor
- ③ Fällbara ställningshakor
- ④ Förvalt varvtal
- ⑤ Transportsäkring
- ⑥ Strömbrytare
- ⑦ Bakre handtag
- ⑧ Laddningsindikering för batteri
- ⑨ Batteriets låsknapp
- ⑩ Batteri
- ⑪ Säkerhetsögla
- ⑫ Främre greppområde
- ⑬ Spak för lossning av sågklingan
- ⑭ Uppsugningsanslutning (USA: tillbehör)
- ⑮ Kontaktsko
- ⑯ Låsknapp för kontaktsko
- ⑰ Sågklinga
- ⑱ Skäradaptor (tillbehör)

#### 3.2 Avsedd användning

Den beskrivna produkten är en batteridrivna tigersåg. Den är avsedd för kapning av trä, träliknande material, metall och plast.

Produkten är avsedd för tvåhandsfattning.

- ▶ Använd endast **Hilti** litiumjonbatterier av typ B 36 med produkten.
- ▶ Använd endast **Hilti** batteriladdare i C4/36-serien för dessa batterier.

#### 3.3 Möjlig felanvändning

- ▶ Såga inte i tegel, betong, lättbetong, natursten eller kakel.
- ▶ Använd inte produkten för kapning av ledningar som fortfarande kan innehålla vätska.
- ▶ Såga inte i okända material.

#### 3.4 Indikering för litiumjonbatteriet

Litiumjonbatteriets laddningsstatus och störningar i verktyget signaleras via batteriets indikeringar. Tryck på en av litiumjonbatteriets låsknappar för att se batterinivån.

Status	Betydelse
4 lysdioder lyser.	Laddningsstatus: 75 % till 100 %
3 lysdioder lyser.	Laddningsstatus: 50 % till 75 %
2 lysdioder lyser.	Laddningsstatus: 25 % till 50 %
1 lysdiod lyser.	Laddningsstatus: 10 % till 25 %
1 lysdiod blinkar.	Laddningsstatus: < 10 %
1 lysdiod blinkar, verktyget är inte färdigt att användas.	Batteriet är överhettat eller helt urladdat.
4 lysdioder blinkar, verktyget är inte färdigt att användas.	Verktyget är överlastat eller överhettat.



Det går inte att få reda på laddningsstatus när strömbrytaren är intryckt och i upp till fem sekunder efter det att strömbrytaren har släppts upp.

Läs anvisningarna i kapitlet Felsökning om lysdioderna för batteriindikering börjar blinka.



### 3.5 Leveransinnehåll

Tigersåg, bruksanvisning.

Dessutom finns fler systemprodukter för din produkt både i närmaste **Hilti Store** och på nätet: [www.hilti.group](http://www.hilti.group).

## 4 Teknisk information

	SR 30-A36
<b>Märkspänning</b>	36 V
<b>Vikt enligt EPTA-procedur 01</b>	5,2 kg
<b>Slagtal (Steg 1)</b>	2 000 varv/min
<b>Slagtal (Steg 2)</b>	2 800 varv/min
<b>Slaglängd</b>	32 mm
<b>Chuck</b>	0,5 in
<b>Omgivningstemperatur vid drift</b>	-17 °C ... 60 °C
<b>Förvaringstemperatur</b>	-20 °C ... 70 °C

### 4.1 Bullerinformation och vibrationsvärden enligt EN 62841

De ljudtrycks- och vibrationsvärden som anges i anvisningarna har uppmätts med en standardiserad mätmetod och kan användas för att jämföra olika elverktyg med varandra. De kan också användas för att göra en preliminär uppskattning av exponeringarna.

De angivna värdena representerar elverktygets huvudsakliga användning. När elverktyget begagnas inom andra områden, med andra insatsverktyg eller med otillräckligt underhåll, kan mätning ge avvikande värden. Det innebär att exponeringen under den totala arbetstiden kan ökas betydligt.

För att uppskattningen av exponeringarna ska bli exakt bör man också räkna in de tider då verktyget är avstängt eller då det är påslaget men inte används. Det kan betydligt minska exponeringen under den totala arbetstiden.

Vidta även andra säkerhetsåtgärder för att skydda användaren mot effekterna av buller och vibrationer, exempelvis: underhåll av elverktyg och insatsverktyg, möjlighet att hålla händerna varma, välorganiserade arbetsförlopp.

#### Bullerinformation

	SR 30-A36
<b>Ljudeffektnivå (<math>L_{WA}</math>)</b>	96 dB(A)
<b>Osäkerhet ljudeffektnivå (<math>K_{WA}</math>)</b>	5 dB(A)
<b>Ljudtrycksnivå (<math>L_{pA}</math>)</b>	85 dB(A)
<b>Osäkerhet ljudtrycksnivå (<math>K_{pA}</math>)</b>	5 dB(A)

#### Sammanlagt vibrationsvärde

	SR 30-A36
<b>Vibrationsemissionsvärde vid sågning av spånskivor (<math>a_{h,B}</math>)</b>	22,5 m/s <sup>2</sup>
<b>Osäkerhet sågning av spånskivor (K)</b>	3,7 m/s <sup>2</sup>
<b>Vibrationsemissionsvärde vid sågning av träbjälkar (<math>a_{h, WB}</math>)</b>	20,5 m/s <sup>2</sup>
<b>Osäkerhet sågning av träbjälkar (K)</b>	3,3 m/s <sup>2</sup>

### 4.2 Batteri

<b>Batteriets driftspänning</b>	36 V
<b>Omgivningstemperatur vid drift</b>	-17 °C ... 60 °C
<b>Förvaringstemperatur</b>	-20 °C ... 40 °C
<b>Batteritemperatur när laddningen påbörjas</b>	-10 °C ... 45 °C



## 5 Förberedelser för arbete

---

### FÖRSIKTIGHET

#### **Risk för personskada till följd av oavsiktlig start!**

- ▶ Kontrollera att produkten är avstängd innan du sätter i batteriet.
  - ▶ Ta alltid bort batteriet innan du gör några inställningar på verktyget eller byter tillbehörsdelar.
- 

Observera de säkerhets- och varningsanvisningar som du hittar i dokumentationen och på själva enheten.

### 5.1 Laddning av batteri

1. Läs batteriladdarens bruksanvisning innan du laddar batteriet.
2. Se till att batteriets och batteriladdarens sladdar är rena och torra.
3. Ladda batteriet i en godkänd batteriladdare.

### 5.2 Sätta i batteriet

#### FÖRSIKTIGHET

#### **Risk för personskada på grund av kortslutning eller nedfallande batteri!**

- ▶ Kontrollera innan du sätter in batteriet i produkten att både batteriets och produktens kontakter är fria från smuts och andra hinder.
  - ▶ Säkerställ att batteriet alltid hakar i ordentligt.
1. Ladda batteriet helt innan det används första gången.
  2. Sätt i batteriet i verktygshållaren så att du hör att det klickar fast.
  3. Kontrollera att batteriet sitter stadigt.
- 


### 5.3 Ta ut batteriet

1. Tryck på knappen för batteriets låsspärr.
2. Ta ut batteriet ur verktygshållaren.

### 5.4 Montera ställningshake (tillbehör)

1. Aktivera transportsäkringens.
2. Montera ställningshaken.

### 5.5 Sätta i sågbladet

 Använd enbart sågblad med 1/2"-insticksände.

---

1. Aktivera transportsäkringens eller ta ut batteriet ur verktyget.
2. Kontrollera att mejselns insticksände är ren och lätt infettad. Rengör och smörj in insticksändan vid behov.
3. Skjut fastlåsningsspaken uppåt tills det tar stopp och håll den i detta läge.
4. Tryck sågbladet framåt in i chucken.
5. Låt fastlåsningsspaken glida tillbaka.
6. Kontrollera att den sitter fast genom att dra i sågbladet.

### 5.6 Montera uppsugningsanslutningen (USA: tillbehör)

1. Dra ur kontaktskon.
2. Sätt uppsugningsanslutningen på kontaktskons uttag.
3. För in den lätt infettade kontaktskon helt i styrskenan.





## 6 Användning

### FÖRSIKTIGHET

#### Risk för personskada på grund av kortslutning eller nedfallande batteri!

- ▶ Kontrollera innan du sätter in batteriet i produkten att både batteriets och produktens kontakter är fria från smuts och andra hinder.
- ▶ Säkerställ att batteriet alltid hakar i ordentligt.

Observera de säkerhets- och varningsanvisningar som du hittar i dokumentationen och på själva enheten.

### 6.1 Föra sågen

1. Håll sågen i de avsedda handtagen.
2. För sågen till arbetsstycket.
3. För sågen fram och tillbaka.
  - ↳ Om du trycker sågen mot arbetsstycken kan sågbladet gå av och ge upphov till skador.

### 6.2 Sågning

#### VARNING

**Risk för personskada på grund av defekt ställningshake!** Om verktyget faller ner kan det skada dig och andra.

- ▶ Innan du påbörjar arbetet ska du kontrollera att ställningshaken sitter ordentligt på plats och inte är skadad.

1. Avaktivera transportsäkring och tryck in strömbrytaren.
  - ↳ I bilden ser du flera exempel på hur du kan föra sågen för att såga effektivt.
2. När du har sågat färdigt släpper du upp strömbrytaren.
3. Aktivera transportsäkring.

### 6.3 Ta bort sågblad

#### FÖRSIKTIGHET

**Risk för personskada!** Insatsverktyget kan vara hett och/eller ha skarpa kanter.

- ▶ Använd alltid skyddshandskar när du byter insatsverktyg.
- ▶ Lägg aldrig varma insatsverktyg på ett brännbart underlag.

1. Aktivera transportsäkring eller ta ut batteriet ur verktyget.
2. Skjut fastlåsningsspaken uppåt tills det tar stopp och håll den i detta läge.
3. Dra sågbladet framåt ur chucken.
4. Låt fastlåsningsspaken glida tillbaka.

## 7 Skötsel och underhåll

#### VARNING

**Risk för personskada vid anslutet batteri !**

- ▶ Ta alltid bort batteriet innan skötsel och underhåll utförs!

#### Verktygets skötsel

- Ta försiktigt bort smuts som fastnat på verktyget.
- Rengör ventilationsspringorna försiktigt med en torr borste.
- Rengör höljet med en lätt fuktad trasa. Använd inte rengöringsmedel med silikon, eftersom det kan skada plastdelarna.
- Rengör och smörj chuckens utsida regelbundet. Använd vår **Hilti**-spray 314648 för detta.

#### Skötsel av litiumjonbatterier

- Håll batteriet rent och fritt från olja och fett.
- Rengör höljet med en lätt fuktad trasa. Använd inte rengöringsmedel med silikon, eftersom det kan skada plastdelarna.



- Se till att ingen fukt tränger in.

### Underhåll

- Kontrollera regelbundet att inga synliga delar har skadats och att alla reglage fungerar som de ska.
- Använd inte produkten om den uppvisar skador eller funktionsstörningar. Skicka den direkt till **Hilti-service** för reparation.
- Efter att skötsel- och underhållsarbete utförts ska alla skyddsanordningar alltid monteras och kontrolleras.

Använd endast originalreservdelar och förbrukningsmaterial för säker drift. Godkända reservdelar, förbrukningsmaterial och tillbehör till din produkt från oss hittar du i närmaste **Hilti Store** eller på: [www.hilti.group](http://www.hilti.group).

## 7.1 Byta ut kontaktsko

Kontaktskon kan bytas ut vid behov.

1. Avlägsna batteriet.
2. Ta bort sågbladet. → Sidan 43
3. Tryck på den röda låsknappen för kontaktskon på undersidan av tigersågen.
4. Dra ur kontaktskon.
5. Tryck på den röda låsknappen för kontaktskon på undersidan av tigersågen.
6. För in den lätt infettade kontaktskon helt i styrskenan.
7. Kontrollera att kontaktskon häktat fast.

## 8 Transport och förvaring av batteridrivna verktyg

### Transport

#### FÖRSIKTIGHET

#### Oavsiktlig start under transport. !

- ▶ Transportera alltid produkten utan insatta batterier.
- ▶ Ta bort batterierna.
- ▶ Transportera aldrig batterierna löst liggande.
- ▶ Kontrollera att verktyget och batterierna är oskadade innan de används efter längre transporter.

### Förvaring

#### FÖRSIKTIGHET

#### Oavsiktlig skada på grund av trasiga eller läckande batterier. !

- ▶ Förvara alltid produkten utan insatta batterier.
- ▶ Förvara verktyget och batterierna så svalt och torrt som möjligt.
- ▶ Förvara aldrig batterierna i direkt solsken, på värmeelement eller bakom glasrutor.
- ▶ Förvara verktyget och batterierna oåtkomliga för barn och obehöriga personer.
- ▶ Kontrollera att verktyget och batterierna är oskadade innan de används efter en längre tids förvaring.

## 9 Felsökning

Kontakta **Hilti Service** om det uppstår ett fel som inte finns med i den här tabellen eller som du inte lyckas åtgärda på egen hand.

### 9.1 Tigersågen är inte fullt funktionsduglig

Fel	Möjlig orsak	Lösning
Verktyget startar inte.	Batteriet har inte satts in helt.	▶ Tryck in batteriet tills du hör ett "klick".
	Batteriet tomt.	▶ Ladda batteriet.
	Transportsäkringarna har inte aktiverats.	▶ Aktivera transportsäkringarna.



Fel	Möjlig orsak	Lösning
Det går inte att ta ut sågklingan ur chucken.	Fastlåsningsspaken är inte intryckt hela vägen.	▶ Tryck på fastlåsningsspaken tills det tar stopp och ta ut sågbladet.
	Chucken har satts igen av sågresten.	▶ Ta bort sågresterna och rengör regelbundet utsidan av chucken. Verktygets skötsel. → Sidan 43

## 9.2 Tigersågen är fullt funktionsduglig

Fel	Möjlig orsak	Lösning
Verktyget har inte full effekt.	Strömbrytaren är inte helt intryckt.	▶ Tryck in strömbrytaren helt.
	Batteriet laddar ur	▶ Byt batteri och sätt det tomma batteriet på laddning.
Det går inte att ta ut sågklingan ur chucken.	Fastlåsningsspaken är inte intryckt hela vägen.	▶ Tryck på fastlåsningsspaken tills det tar stopp och ta ut sågbladet.

## 10 Avfallshantering

**Hilti**-produkter är till stor del tillverkade av återvinningsbara material. En förutsättning för återvinning är att materialen separeras på rätt sätt. I många länder kan du lämna in ditt uttjänta instrument så att **Hilti** tar hand om det. Hör efter med **Hiltis** kundtjänst eller din kontaktperson.

### Avfallshantering av batterier

Bristfälligt avfallshantering av batterier kan orsaka hälsorisker på grund av läckande gaser eller vätskor.

- ▶ Skicka aldrig iväg skadade batterier!
- ▶ Täck anslutningarna med ett icke ledande material för att förhindra kortslutningar.
- ▶ Kassera batterier så att de inte kan hamna i händerna på barn.
- ▶ Kassera batteriet hos din **Hilti Store** eller vänd dig till närmaste återvinningscentral.



- ▶ Kasta inte elverktyg, elektronisk apparatur och batterier i hushållssoporna.

## 11 RoHS (föreskrifter för begränsning av användningen av farliga ämnen)

Använd den här länken för att komma till tabellen över farliga ämnen: [qr.hilti.com/r5962277](http://qr.hilti.com/r5962277).

En länk till RoHS-tabellen hittar du i slutet på det här dokumentet i form av en QR-kod.

## 12 Tillverkargaranti

- ▶ Vänd dig till din lokala **Hilti**-representant om du har frågor om garantivillkoren.



## 1 Informasjon om dokumentasjonen

### 1.1 Om denne dokumentasjonen

- Les denne dokumentasjonen før du tar produktet i bruk. Dette er en forutsetning for sikkerhet under arbeidet og problemfri bruk.
- Følg sikkerhetshenvisningene og advarslene i denne dokumentasjonen og på produktet.
- Oppbevar alltid bruksanvisningen på produktet, og lever bruksanvisningen fra deg sammen med produktet hvis det overtas av andre personer.

### 1.2 Symbolforklaring

#### 1.2.1 Farehenvisninger

Farehenvisninger advarer mot farer under håndtering av produktet. Følgende signalord brukes:

**FARE****FARE !**

- ▶ For en umiddelbart truende fare som kan føre til alvorlige personskader eller død.

**ADVARSEL****ADVARSEL !**

- ▶ Varsler en mulig fare som kan føre til alvorlige personskader eller død.

**FORSIKTIG****FORSIKTIG !**

- ▶ Varsler om en mulig farlig situasjon som kan føre til lettere personskade eller skade på utstyr og annen eiendom.

#### 1.2.2 Symboler i dokumentasjonen

Følgende symboler brukes i denne dokumentasjonen:



Les bruksanvisningen før bruk



Anvisninger om bruk og annen nyttig informasjon



Håndtering av resirkulerbare materialer



Ikke kast elektriske apparater eller batterier i husholdningsavfallet

#### 1.2.3 Symboler i illustrasjoner

Følgende symboler brukes i illustrasjonene:

**2**

Disse tallene henviser til illustrasjonen foran i denne bruksanvisningen

3

Nummereringen angir rekkefølgen for arbeidstrinnene på bildet og kan avvike fra arbeidstrinnene i teksten

**11**Posisjonsnumrene brukes i illustrasjonen **Oversikt** og henviser til numrene på teksten i avsnittet **Produktoversikt**

Dette symbolet betyr at håndtering av produktet krever stor grad av oppmerksomhet.

### 1.3 Produktavhengige symboler

#### 1.3.1 Symboler på produktet

Følgende symboler kan brukes på produktet:



Likestrøm



n <sub>0</sub>	Tomgangsslag tall
	Trådløs dataoverføring
Li-Ion	Li-ion-batteri
	Brukt Hilti Li-ion-batteriserie. Følg anvisningene i kapitlet <b>Forskriftsmessig bruk</b> .

## 1.4 Produktinformasjon

**HILTI**-produkter er laget for profesjonell bruk og må kun brukes, vedlikeholdes og repareres av kyndig personale. Dette personalet må informeres om eventuelle farer som kan oppstå. Produktet og tilleggsutstyr er kan utgjøre en fare hvis det betjenes av ukvalifisert personale eller det benyttes feil.

Typebetegnelse og serienummer står på typeskiltet.

- Skriv inn serienummeret i tabellen nedenfor. Du trenger produktspesifikasjonene ved henvendelser til Hiltis representant eller servicesenter.

### Produktspesifikasjoner

Bajonettsag	SR 30-A36
Generasjon	01
Serienummer	

## 1.5 Samsvarserklæring

Vi erklærer herved at produktet som er beskrevet her, er i samsvar med gjeldende normer og direktiver. Du finner et bilde av samsvarserklæringen på slutten av denne dokumentasjonen.

Den tekniske dokumentasjonen er lagret her:

Hilti Entwicklungsgesellschaft mbH | Zulassung Geräte | Hiltistraße 6 | 86916 Kaufering, DE

## 2 Sikkerhet

### 2.1 Generelle sikkerhetsregler for elektroverktøy

**⚠ ADVARSEL Les alle sikkerhetsanvisninger, instruksjer, illustrasjoner og tekniske data som elektroverktøyet er utstyrt med.** Manglende overholdelse av anvisningene nedenfor kan medføre elektrisk støt, brann og/eller alvorlige personskader.

**Overhold alle sikkerhetsanvisninger og instruksjoner i hele bruksperioden.**

Begrepet "elektroverktøy" som er brukt i sikkerhetsanvisningene, viser til nettdrevne elektroverktøy (med nettkabel) eller til batteridrevne elektroverktøy (uten nettkabel).

#### Sikkerhet på arbeidsplassen

- **Hold arbeidsområdet rent og godt opplyst.** Rotete eller dårlig belyste arbeidsområder kan føre til ulykker.
- **Bruk ikke elektroverktøyet i eksplosjonsfarlige omgivelser hvor det befinner seg brennbare flytende stoffer, gasser eller støv.** Elektroverktøy lager gnister som kan antenne støv eller damp.
- **Hold barn og andre personer på sikker avstand mens elektroverktøyet brukes.** Hvis du blir forstyrret under arbeidet, kan du miste kontrollen over verktøyet.

#### Elektrisk sikkerhet

- **Elektroverktøyets støpsele må passe i stikkontakten. Støpselet må ikke forandres på noen som helst måte. Bruk ikke adapterkontakt på jordete elektroverktøy.** Uendrede støpsler og egnede stikkontakter minsker risikoen for elektrisk støt.
- **Unngå kroppskontakt med jordete overflater som rør, radiatorer, komfyrer eller kjøleskap.** Risikoen for elektriske støt er høyere når kroppen er jordet.
- **Hold elektroverktøyet unna regn og fuktighet.** Risikoen for elektrisk støt øker ved inntrenging av vann i et elektroverktøy.
- **Bruk ikke ledningen til å bære elektroverktøyet, henge det opp eller til å dra støpselet ut av stikkontakten. Hold ledningen unna varme, olje, skarpe kanter og deler som beveger seg.** Skadde eller sammenviklede ledninger øker risikoen for elektriske støt.



- ▶ **Bruk kun skjøteledninger som også er godkjent for utendørs bruk når du arbeider med et elektroverktøy utendørs.** Bruk av skjøteledning som er egnet til utendørs bruk, minsker risikoen for elektrisk støt.
- ▶ **Må elektroverktøyet brukes i fuktige omgivelser, er det nødvendig å bruke en jordfeilbryter.** Bruk av en jordfeilbryter reduserer risikoen for elektrisk støt.

#### **Personsikkerhet**

- ▶ **Vær oppmerksom, pass på hva du gjør, og gå fornuftig fram under arbeidet med et elektroverktøy. Ikke bruk elektroverktøy når du er trøtt eller påvirket narkotika, alkohol eller medikamenter.** Et øyeblikks uoppmerksomhet ved bruk av elektroverktøyet kan være nok til å forårsake alvorlige personskader.
- ▶ **Bruk alltid personlig verneutstyr og vernebriller.** Bruk av personlig verneutstyr som støvmaske, sklisklire vernesko, hjelm eller hørselsvern – avhengig av type og bruk av elektroverktøyet – reduserer risikoen for skader.
- ▶ **Unngå utilsiktet start. Forsikre deg om at elektroverktøyet er slått av før du setter i stikkkontakten eller batteriet og før du løfter eller flytter elektroverktøyet.** Hvis du holder fingeren på bryteren når du bærer elektroverktøyet, eller kobler elektroverktøyet til strøm i innkoblet tilstand, kan dette føre til uhell.
- ▶ **Fjern justeringsverktøy og skrunøkkel før du slår på elektroverktøyet.** Et verktøy eller en nøkkel som befinner seg i en roterende maskindel, kan føre til skader.
- ▶ **Unngå uhensiktsmessige arbeidsposisjoner. Sørg for å stå stødig og i balanse.** Dermed kan du kontrollere elektroverktøyet bedre i uventede situasjoner.
- ▶ **Bruk egnede klær. Ikke bruk vide klær eller smykker. Hold hår, tøy og hansker unna deler som beveger seg.** Løstsittende tøy, smykker eller langt hår kan komme inn i deler som beveger seg.
- ▶ **Hvis det er montert støvavsugs- og oppsamlingsinnretninger, må det kontrolleres at disse er koblet til og blir brukt på riktig måte.** Bruk av støvavsug kan redusere faremomentene i forbindelse med støv.
- ▶ **Ikke føl deg for trygg og ikke bryt sikkerhetsreglene for elektroverktøy, heller ikke når du etter lang tids bruk er blitt fortløig med elektroverktøyet.** Et øyeblikks uaktsomhet kan føre til alvorlige personskader.

#### **Bruk og behandling av elektroverktøyet**

- ▶ **Ikke overbelast verktøyet. Bruk et elektroverktøy som er beregnet til den type arbeid du vil utføre.** Med et passende elektroverktøy arbeider du bedre og sikrere i det angitte effektområdet.
- ▶ **Ikke bruk elektroverktøy med defekt bryter.** Et elektroverktøy som ikke lenger kan slås av eller på, er farlig og må repareres.
- ▶ **Dra ut støpselet fra stikkkontakten og/eller ta ut et uttakbart batteri før du foretar maskininnstillinger, bytter tilleggsutstyr eller legger bort verktøyet.** Disse tiltakene forhindrer utilsiktet start av elektroverktøyet.
- ▶ **Oppbevar elektroverktøy som ikke brukes, utenfor barns rekkevidde. La ikke personer som ikke er fortløige med verktøyet eller ikke har lest disse instruksjonene, bruke verktøyet.** Elektroverktøy er farlige når de brukes av uerfarne personer.
- ▶ **Sørg for grundig stell og vedlikehold av elektroverktøyet med tilbehør. Kontroller at bevegelige deler på elektroverktøyet fungerer feilfritt og ikke klemmes fast, og at ingen deler er brukt eller skadet, slik at dette innvirker på elektroverktøyet funksjon. La skadde deler repareres før elektroverktøyet brukes.** Mange ulykker er et resultat av dårlig vedlikeholdte elektroverktøy.
- ▶ **Hold skjæreverktøy skarpe og rene.** Godt vedlikeholdte skjæreverktøy med skarpe skjærekanten blir sjeldnere fastklemt og er lettere å styre.
- ▶ **Bruk elektroverktøy, tilbehør, arbeidsverktøy osv. i overensstemmelse med denne anvisningen. Ta hensyn til arbeidsforholdene og arbeidet som skal utføres.** Bruk av elektroverktøy til andre formål enn det som er angitt, kan føre til farlige situasjoner.
- ▶ **Hold håndtak og gripeflater tørre, rene og frie for olje og fett.** Glatte håndtak og gripeflater gir ikke sikker betjening og kontroll av elektroverktøyet i uforutsette situasjoner.

#### **Bruk og behandling av det batteridrevne elektroverktøyet**

- ▶ **Bruk kun ladere som er anbefalt av produsenten når du skal lade batteriene.** Det oppstår brannfare når det brukes andre batterier i en lader enn dem laderen er egnet for.
- ▶ **Bruk bare batterier som er beregnet for de forskjellige elektroverktøyene.** Bruk av andre batterier kan medføre skader og brannfare.
- ▶ **Unngå å oppbevare ubrukte batterier i nærheten av binders, mynter, nøkler, nagler, skruer eller andre små metallgjenstander som kan forårsake kortslutning av kontakten.** En kortslutning mellom batterikontaktene kan føre til forbrenning eller brann.



- ▶ **Ved feil bruk kan væske lekke fra batteriet. Unngå kontakt med denne væsken. Ved tilfeldig kontakt må det skylles med vann. Hvis det kommer væske i øynene, må du i tillegg oppsøke lege.** Batterivæske som renner ut, kan føre til irritasjoner på huden eller forbrenninger.
- ▶ **Ikke bruk batterier som er skadde eller modifiserte.** Skadde eller modifiserte batterier kan oppføre seg uforutsigbart og forårsake brann, eksplosjon eller personskaide.
- ▶ **Ikke utsett batteriet for åpen ild eller høye temperaturer.** Ild eller temperaturer over 130 °C (265 °F) kan forårsake eksplosjon.
- ▶ **Følg alle anvisningene for lading, og lad aldri batteriet eller det batteridrevne verktøyet utenfor temperaturområdet som er angitt i bruksanvisningen.** Feil lading eller lading utenfor det tillatte temperaturområdet kan ødelegge batteriet og øke brannfaren.

#### Service

- ▶ **Elektroverktøyet må kun repareres av kvalifisert fagpersonale og kun med originale reservedeler.** Slik opprettholdes maskinens sikkerhet.
- ▶ **Vedlikehold ikke skadde batterier.** Alt vedlikehold på batterier skal utføres av produsenten eller et godkjent serviceverksted.

## 2.2 Ekstra sikkerhetsanvisninger for saging med sagblad med frem- og tilbakebevegelse

- ▶ **Hold maskinen i de isolerte håndtakene når du utfører arbeid der verktøyet kan komme i kontakt med elektriske ledninger.** Kontakt med en spenningsførende ledning kan også sette maskinens metalldele under spenning og føre til elektrisk støt.
- ▶ **Bruk skrutvinge eller annet egnet hjelpemiddel til å feste og sikre verktøyet på et stabilt underlag.** Når du holder arbeidsområdet fast bare med hendene eller mot kroppen, er det ustabil, og dette kan føre til tap av kontrollen.

## 2.3 Ekstra sikkerhetsanvisninger ved saging

### Personsikkerhet

- ▶ Hold hendene unna sagområdet og sagbladet. Hold den andre hånden på ekstrahåndtaket eller motorhuset. Hvis du holder sagen med begge hender, kan ikke hendene bli skadd av sagingen.
- ▶ Bruk produktet bare i teknisk feilfri stand.
- ▶ Ikke foreta modifiseringer eller endringer på maskinen.
- ▶ Bruk vernehansker også ved skifte av verktøy. Berøring av innsatsverktøyet kan føre til kuttskader og forbrenninger.
- ▶ Før arbeidet påbegynnes, må du bringe på det rene hvilken fareklasse støvmaterialet som oppstår, tilhører. Bruk en anleggsstøvsuger med offisiell beskyttelsesklassifisering sammen med maskinen. Maskinen må oppfylle lokale støvbeskyttelseskrav. Støv fra materialer som blyholdig maling, enkelte tresorter, betong/mur/stein som inneholder kvarts, mineraler og metaller kan være helseskadelig.
- ▶ Sørg for god ventilasjon på arbeidsplassen, og bruk eventuelt åndedrettsvern tilpasset den aktuelle typen støv. Berøring eller innånding av slike typer støv kan fremkalle allergiske reaksjoner og/eller luftveissykdommer hos brukeren og andre personer som oppholder seg i nærheten. Asbestholdige materialer skal kun håndteres av kvalifisert personell.
- ▶ Hold ikke under arbeidsstykket.
- ▶ Hold aldri arbeidsstykket du sager fast med hånden eller bena. Sikre arbeidsstykket med et stabilt feste.
- ▶ Hold alltid maskinen fast med begge hender, og hold armene i en stilling der du kan fange opp rekylkraften.
- ▶ Hold håndtakene tørre og rene.
- ▶ Hold deg alltid på siden av sagbladet, og plasser aldri sagbladet på linje med kroppen. Ved rekyll kan sagen slenges bakover!
- ▶ Hvis sagbladet forklirer seg eller du avbryter arbeidet, må du slå av slagen og holde sagen i ro i arbeidsstykket til sagbladet har stanset helt. Prøv aldri å fjerne sagen fra arbeidsstykket eller trekke den bakover så lenge sagbladet er i bevegelse, ellers er det fare for rekyll.
- ▶ Når du skal starte en sag som sitter fast i arbeidsstykket, sentrerer du sagbladet i spalten og kontrollerer at sagtennene ikke har haket seg fast i arbeidsstykket.
- ▶ Vær ekstra forsiktig ved saging i eksisterende vegger eller i andre usynlige områder. Sagbladet som stikkes inn, kan blokkeres av skjulte objekter under saging, noe som kan forårsake rekyll.

### Elektrisk sikkerhet

- ▶ Kontroller før arbeidet påbegynnes at det ikke finnes skjulte strømledninger, gass- eller vannrør i arbeidsområdet. Utvendige metalldele på maskinen kan forårsake elektrisk støt hvis du utilsiktet skulle skade en strømlledning.



- ▶ Hold maskinen i de isolerte håndtakene når du utfører arbeid der verktøyet kan komme i kontakt med elektriske ledninger. Kontakt med en spenningsførende ledning kan også sette maskinens metalldele under spenning og føre til elektrisk støt.

#### **Forsiktig behandling og bruk av elektroverktøy**

- ▶ Bruk aldri sløve eller skadde sagblad. Dette fører til økt friksjon og kan forårsake forkiling eller rekyl av sagbladet.
- ▶ Følg produsentens anvisninger om håndtering og oppbevaring av sagblad.
- ▶ Produktet må presses mot arbeidsstykket med presskoen. Dette sikrer optimalt og sikkert arbeid.
- ▶ Beskytt deg mot varme spon med egnet verneutstyr.

### **2.4 Ekstra sikkerhetsanvisninger**

- ▶ Bruk produktet bare i teknisk feilfri stand.
- ▶ Ikke foreta modifiseringer eller endringer på maskinen.
- ▶ Bruk aldri sløve eller skadde sagblad. Dette fører til økt friksjon og kan forårsake forkiling eller rekyl av sagbladet.
- ▶ Kontroller før arbeidet påbegynnes at det ikke finnes skjulte strømledninger, gass- eller vannrør i arbeidsområdet. Utvendige metalldele på maskinen kan forårsake elektrisk støt hvis du utilsiktet skulle skade en strømledning.
- ▶ Sikre arbeidsstykket med et stabilt feste. Hold aldri arbeidsstykket du sager fast med hånden eller bena.
- ▶ Ikke slå på produktet før det er i arbeidsposisjon.
- ▶ Før alltid maskinen bort fra kroppen når du arbeider.
- ▶ Arbeid med moderat presstrykk og egnet skjærehastighet, især ved store rørdiameter. Da unngår du overoppheting av maskinen.
- ▶ Hvis du skal kappe rør, må du kontrollere at det ikke finnes væske i rørene. Tøm i så fall ut væsken.
- ▶ Hold maskinen høyere enn røret ved kapping av rør.
  - ↳ Maskinen er ikke beskyttet mot inntrengning av fuktighet. Væske som strømmer ut, kan forårsake kortslutning i maskinen.
- ▶ Ikke sag i ukjent underlag og hold saglinjen fri for hindringer oppe og nede.
  - ↳ Hvis sagbladet rammer en fast gjenstand, kan maskinen bli utsatt for rekyl.
- ▶ Bruk vernehansker også ved skifte av verktøy. Berøring av innsatsverktøyet kan føre til kuttskader og forbrenninger.
- ▶ Ta alltid ut batteriet når det ikke skal brukes, før vedlikehold, bytte av verktøy og under transport.
- ▶ Aktiver transportsikringen ved lagring og transport av maskinen.
- ▶ Følg produsentens anvisninger om håndtering og oppbevaring av sagblad.
- ▶ Brukeren og personer som befinner seg i nærheten, må bruke egnede vernebriller, vernehjelm, hørselsvern, vernehansker og en lett støvmaske når maskinen er i drift.
- ▶ Bruk et passende langt sagblad. Sagbladet må stikke ut av arbeidsstykket under hele slaget.
- ▶ Ta pauser fra arbeidet, og foreta avspennings- og fingerøvelser for å øke blodgjennomstrømningen i fingrene.
- ▶ Ikke se rett inn i belysningen (LED), og ikke lys inn i ansiktet til andre personer. Du kan bli blendet.
- ▶ Splintret materiale kan skade kroppen og øynene. Bruk alltid personlig verneutstyr, vernebriller og vernehansker.
- ▶ Ved gjennombruddsarbeider må området på den andre siden sikres.

### **2.5 Aktsom håndtering og bruk av batterier**

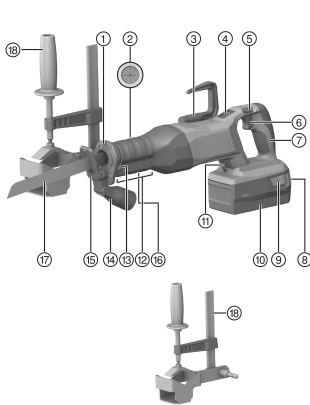
- ▶ Ta hensyn til spesielle retningslinjer for transport, lagring og bruk av Li-Ion-batterier.
- ▶ Hold batteriene unna høye temperaturer, direkte solskinn og åpen ild.
- ▶ Batteriene må ikke tas fra hverandre, klemmes, varmes opp over 80 °C eller brennes.
- ▶ Ikke bruk eller lad opp batterier som har fått et støt, har falt ned over en meter eller er skadet på annen måte. Kontakt i slike tilfeller alltid **Hilti service**.
- ▶ Hvis batteriet er for varmt til å ta i, kan det være defekt. Plasser produktet på et ikke-brennbar sted med tilstrekkelig avstand fra brennbare materialer, der det kan observeres. La det avkjøles. Kontakt i slike tilfeller alltid **Hilti service**.





### 3 Beskrivelse

#### 3.1 Produktoversikt



- ① Chuck
- ② Feste for kutteadapter
- ③ Nedfellbar opphengskrok
- ④ Forhåndsinnstilling av omdreiningstall
- ⑤ Transportsikring
- ⑥ Kontrollbryter
- ⑦ Bakre håndtak
- ⑧ Ladenivåindikator for batteriet
- ⑨ Låseknapp for batteri
- ⑩ Batteri
- ⑪ Sikringsring
- ⑫ Fremre håndtaksområde
- ⑬ Spak for opplåsing av sagbladet
- ⑭ Avsugtilkobling (USA: tilbehør)
- ⑮ Pressko
- ⑯ Låseknapp for pressko
- ⑰ Sagblad
- ⑱ Kutteadapter (tilbehør)

#### 3.2 Forskriftsmessig bruk

Det beskrevne produktet er en batteridrevet bajonettsag. Den er beregnet for saging i tre, trelignende og metalliske materialer og plaststoffer.

Produktet er beregnet for bruk med to hender.

- ▶ Til dette produktet må det bare brukes **Hilti** Li-Ion-batterier i serien B 36.
- ▶ Bruk bare **Hilti**-laderne i C4/36-serien til disse batteriene.

#### 3.3 Mulig feilbruk

- ▶ Ikke sag i murstein, betong, lettbetong, naturstein eller fliser.
- ▶ Ikke bruk produktet til kapping av rør og slanger som kan inneholde væske.
- ▶ Ikke sag i ukjent underlag.

#### 3.4 Indikator for Li-Ion-batteriet

Ladenivået for Li-Ion-batteriet og feil på maskinen varsles via indikatoren på Li-Ion-batteriet. Ladenivået for Li-Ion-batteriet vises når du trykker på en av låseknappene for batteriet.

Tilstand	Betydning
4 LED-er lyser.	Ladenivå: 75 % til 100 %
3 LED-er lyser.	Ladenivå: 50 % til 75 %
2 LED-er lyser.	Ladenivå: 25 % til 50 %
1 LED lyser.	Ladenivå: 10 % til 25 %
1 LED blinker.	Ladenivå: < 10 %
1 LED blinker, maskinen er ikke klar til bruk.	Batteriet er overopphetet eller helt utladet.
4 LED-er blinker, maskinen er ikke klar til bruk.	Maskinen er overbelastet eller overopphetet.

Når du trykker på kontrollbryteren og inntil 5 sekunder etter at du har sluppet kontrollbryteren, er det ikke mulig å sjekke ladenivået.

Ved blinkende LED-er på batteriets indikator må du følge henvisningene i kapitlet Feilsøking.



### 3.5 Dette følger med

bajonettsg, bruksanvisning.

I tillegg finner du tillatte systemprodukter til produktet hos nærmeste **Hilti Store** eller under: [www.hilti.group](http://www.hilti.group).

## 4 Tekniske data

	SR 30-A36
<b>Merkespenning</b>	36 V
<b>Vekt i henhold til EPTA-prosedyre 01</b>	5,2 kg
<b>Slagtall (Trinn 1)</b>	2 000 o/min
<b>Slagtall (Trinn 2)</b>	2 800 o/min
<b>Slaglengde</b>	32 mm
<b>Chuck</b>	0,5 in
<b>Omgivelsestemperatur under drift</b>	-17 °C ... 60 °C
<b>Lagringstemperatur</b>	-20 °C ... 70 °C

### 4.1 Støyinformasjon og vibrasjonsverdier iht. EN 62841

Lydtrykk- og vibrasjonsverdiene som er angitt i denne bruksanvisningen, er målt i samsvar med en normert målemetode og kan brukes til sammenligning av elektroverktøy. De egner seg også til en foreløpig vurdering av eksponeringene.

De angitte dataene representerer de viktigste bruksområdene for elektroverktøyet. Men hvis elektroverktøyet brukes til andre formål, med avvikende innsatsverktøy eller med utilstrekkelig vedlikehold, kan dataene avvike. Dette kan øke eksponeringene betraktelig gjennom hele arbeidsperioden.

For å få en nøyaktig vurdering av eksponeringene må man også ta hensyn til tidsrommene da maskinen er slått av eller er i gang, men ikke i drift. Dette kan redusere eksponeringene betraktelig gjennom hele arbeidsperioden.

Fastsett ekstra sikkerhetstiltak for å beskytte operatøren mot effekten av støy og/eller vibrasjoner, for eksempel: Vedlikehold av elektroverktøy og innsatsverktøy, holde hendene varme, organisering av arbeidsprosesser.

#### Støyinformasjon

	SR 30-A36
<b>Lydeffektnivå (<math>L_{WA}</math>)</b>	96 dB(A)
<b>Usikkerhet lydeffektnivå (<math>K_{WA}</math>)</b>	5 dB(A)
<b>Støynivå (<math>L_{pA}</math>)</b>	85 dB(A)
<b>Usikkerhet lydtrykknivå (<math>K_{pA}</math>)</b>	5 dB(A)

#### Totale vibrasjonsverdier

	SR 30-A36
<b>Vibrasjonsutslippsverdi ved saging av sponplater (<math>a_{h, B}</math>)</b>	22,5 m/s <sup>2</sup>
<b>Usikkerhet ved saging av sponplater (K)</b>	3,7 m/s <sup>2</sup>
<b>Vibrasjonsutslippsverdi ved saging av trebjelker (<math>a_{h, WB}</math>)</b>	20,5 m/s <sup>2</sup>
<b>Usikkerhet ved saging av trebjelker (K)</b>	3,3 m/s <sup>2</sup>

### 4.2 Batteri

<b>Batteriets driftsspenning</b>	36 V
<b>Omgivelsestemperatur under drift</b>	-17 °C ... 60 °C
<b>Lagringstemperatur</b>	-20 °C ... 40 °C
<b>Batteritemperatur ved ladestart</b>	-10 °C ... 45 °C



## 5 Klargjøring til arbeidet

### FORSIKTIG

#### Fare for personskader på grunn av utilsikket start!

- ▶ Før batteriet settes i, må det kontrolleres at det tilhørende produktet er slått av.
- ▶ Fjern batteriet før du foretar maskininnstillinger eller skifter tilbehørsdeler.

Følg sikkerhetshenvisningene og advarslene i denne dokumentasjonen og på produktet.

### 5.1 Lade batteriet

1. Les bruksanvisningen for laderen før lading.
2. Kontaktene på batteriet og laderen må være rene og tørre.
3. Lad opp batteriet i en godkjent lader.

### 5.2 Sette i batteri

#### FORSIKTIG

#### Fare for personskader på grunn av kortslutning eller ved at batteriet faller ned!

- ▶ Forsikre deg om at det ikke er fremmedlegemer ved kontaktene på batteriet og kontaktene på produktet før du setter batteriet inn i maskinen.
- ▶ Kontroller at batteriet alltid går riktig i inngrep.

1. Lad batteriet helt opp før første gangs bruk.
2. Sett batteriet inn i holderen på maskinen til det klikker hørbart på plass.
3. Kontroller at batteriet sitter godt fast.

### 5.3 Ta ut batteri

1. Trykk på låseknappene på batteriet.
2. Trekk batteriet ut av maskinholderen.

### 5.4 Montere opphengskrok (tilbehør)

1. Aktiver transportsikringen.
2. Monter opphengskroken.

### 5.5 Isetting av sagblad



Bruk bare sagblad med 1/2"-innstikkender.

1. Aktiver transportsikringen eller koble batteriet fra maskinen.
2. Sørg for at innstikkenden på verktøyet er ren og satt inn med litt fett. Gjør den ren og ta på litt fett hvis nødvendig.
3. Skyv låsespaken oppover til endestopp, og hold den i denne stillingen.
4. Trykk sagbladet forfra inn i chucken.
5. La låsespaken gli tilbake.
6. Trekk i sagbladet for å kontrollere om det er smekket på plass.

### 5.6 Montere avsguttkobling (USA: tilbehør)

1. Trekk ut presskoen.
2. Sett avsguttkoblingen på presskofestet.
3. Skyv den lett innfattede presskoen helt inn i føringen.



## 6 Betjening

---

### FORSIKTIG

#### Fare for personskader på grunn av kortslutning eller ved at batteriet faller ned!

- ▶ Forsikre deg om at det ikke er fremmedlegemer ved kontaktene på batteriet og kontaktene på produktet før du setter batteriet inn i maskinen.
  - ▶ Kontroller at batteriet alltid går riktig i inngrep.
- 

Følg sikkerhetsanvisningene og advarslene i denne dokumentasjonen og på produktet.

### 6.1 Førre sagen

1. Hold sagen i håndtakene som er beregnet til formålet.
2. Før sagen til emnet.
3. Før sagen frem og tilbake.
  - ↳ Hvis du trykker sagen mot emnet, kan sagbladet brette og forårsake personskader.

### 6.2 Sage

#### ADVARSEL

#### Fare på grunn av defekt stillaskrok! Hvis maskinen faller ned, kan dette være farlig for deg selv og andre.

- ▶ Kontroller før arbeidet starter at stillaskroken er feilfri og godt festet.
- 
1. Deaktiver transportsikringen og trykk på kontrollbryteren.
    - ↳ På illustrasjonene ser du forskjellige måter å føre sagen effektivt på.
  2. Når du har avsluttet sagingen, slipper du kontrollbryteren.
  3. Aktiver transportsikringen.

### 6.3 Ta av sagbladet

#### FORSIKTIG

#### Fare for personskader! Innsatsverktøyet kan være varmt og/eller ha skarpe kanter.

- ▶ Bruk vernehansker når du skifter innsatsverktøy.
  - ▶ Ikke legg et varmt innsatsverktøy på brennbare underlag.
- 
1. Aktiver transportsikringen eller koble batteriet fra maskinen.
  2. Skyv låsespaken oppover til endestopp, og hold den i denne stillingen.
  3. Trekk sagbladet fremover og ut av chucken.
  4. La låsespaken gli tilbake.

## 7 Service og vedlikehold

---

#### ADVARSEL

#### Fare for personskader på grunn av isatt batteri !

- ▶ Ta alltid ut batteriet før stell og vedlikeholdsarbeid!
- 

#### Stell av maskinen

- Fjern gjenstridig smuss forsiktig.
- Rengjør ventilasjonsåpningene forsiktig med en tørr børste.
- Rengjør huset bare med en lett fuktet klut. Ikke bruk silikonholdige pleiemiddel, da dette kan angripe plastdelene.
- Rengjør og smør chucken regelmessig fra utsiden. Bruk **Hilti** spray 314648 til dette arbeidet.

#### Stell av Li-Ion-batterier

- Hold batteriet rent og fritt for olje og fett.
- Rengjør huset bare med en lett fuktet klut. Ikke bruk silikonholdige pleiemiddel, da dette kan angripe plastdelene.
- Unngå inntrenging av fuktighet.



## Vedlikehold

- Kontroller alle synlige deler regelmessig mht. skade og alle betjeningselementene mht. feilfri funksjon.
- Ved skader og/eller funksjonsfeil må produktet ikke brukes. Få maskinen reparert av **Hilti** service snarest mulig.
- Etter stell- og vedlikeholdsarbeid må alle beskyttelsesinnretninger monteres, og det må foretas funksjonskontroll av dem.



Av hensyn til sikkerheten må du bare bruke originale reservedeler og forbruksmaterialer. Reservedeler, forbruksmaterialer og tilbehør til produktet, som er godkjent av oss, finner du hos **Hilti Store** eller under: **www.hilti.group**.

## 7.1 Utskifting av pressko



Presskoen kan skiftes ut ved behov.

1. Fjern batteriet.
2. Ta av sagbladet. → Side 54
3. Trykk på den røde låseknappen for presskoen på undersiden av bajonettsagen.
4. Trekk ut presskoen.
5. Trykk på den røde låseknappen for presskoen på undersiden av bajonettsagen.
6. Skyv den lett innfettede presskoen helt inn i føringen.
7. Kontroller at presskoen er smekket på plass.

## 8 Transport og lagring av batterier

### Transport



#### Utsiktet start under transport !

- ▶ Transporter alltid produktene dine uten batterier!
- ▶ Ta ut batteriene.
- ▶ Ikke transporter batterier upakket.
- ▶ Etter en lengre transport må maskin og batterier kontrolleres med hensyn til skade før bruk.

### Lagring



#### Utsiktet skade på grunn av defekte batterier eller lekkasje fra batterier !

- ▶ Oppbevar alltid produktene dine uten batterier!
- ▶ Oppbevar maskin og batterier mest mulig kaldt og tørt.
- ▶ Batteriene må aldri lagres i solen, på en radiator eller bak glassruter.
- ▶ Oppbevar maskin og batterier utenfor barns og uvedkomendes rekkevidde.
- ▶ Etter lengre tids oppbevaring må maskin og batterier kontrolleres med hensyn til skade før bruk.

## 9 Feilsøking

Ved feil som ikke står i denne tabellen eller som du selv ikke kan rette opp, må du kontakte **Hilti Service**.

### 9.1 Bajonettsagen er ikke klar til bruk

Feil	Mulig årsak	Løsning
Maskinen starter ikke.	Batteriet er ikke satt helt i.	▶ La batteriet gå i lås med et klikk.
	Tomt batteri.	▶ Lad batteriet.
	Transportsikringen er ikke aktivert.	▶ Aktiver transportsikringen.
Sagbladet lar seg ikke fjerne fra chucken.	Låsespaken er ikke trykt til endestopp.	▶ Trykk låsespaken til endestopp, og ta ut sagbladet.



Feil	Mulig årsak	Løsning
Sagbladet lar seg ikke fjerne fra chucken.	Chuck tilstoppet av sagerester.	<ul style="list-style-type: none"> <li>▶ Fjern sagerestene og rengjør chucken regelmessig fra utsiden. Støll av maskinen. → Side 54</li> </ul>

## 9.2 Bajonettsagen er klar til bruk

Feil	Mulig årsak	Løsning
Maskinen yter ikke maksimalt.	Kontrollbryteren er ikke trykket helt inn	▶ Trykk kontrollbryteren inn så langt det går.
	Lade ut batteri	▶ Skift batteri og lad tomt batteri.
Sagbladet lar seg ikke fjerne fra chucken.	Låsespaken er ikke trykt til endestopp.	▶ Trykk låsespaken til endestopp, og ta ut sagbladet.

## 10 Avhending

**Hilti**-apparater er i stor grad laget av resirkulerbart materiale. En forskriftsmessig materialsortering er en forutsetning for resirkulering. I mange land tar **Hilti** ditt gamle apparat i retur. Spør **Hilti** kundeservice eller forhandleren din.

### Avhending av batterier

Ved ukynndig avhending av batterier kan gasser eller væsker som lekker ut, representere helsefare.

- ▶ Ikke send skadde batterier i posten eller på annen måte!
- ▶ Dekk til kontaktene med et ikke-ledende materiale for å unngå kortslutning.
- ▶ Kasser batterier slik at de er utilgjengelige for barn.
- ▶ Lever inn batteriet i nærmeste **Hilti Store**, eller kontakt et lokalt renovasjonsfirma.



- ▶ Kast aldri elektroverktøy, elektronisk utstyr eller batterier i husholdningsavfallet!

## 11 RoHS (direktiv for begrensning av bruk av farlige stoffer)

Under følgende lenke finner du tabellen over farlige stoffer: [qr.hilti.com/r5962277](http://qr.hilti.com/r5962277).

Du finner en lenke til RoHS-tabellen helt til slutt i denne dokumentasjonen som QR-kode.

## 12 Produsentgaranti

- ▶ Når det gjelder spørsmål om garantibetingelser, ber vi deg kontakte din lokale **Hilti**-partner.



## 1 Dokumentaation tiedot

### 1.1 Tästä dokumentaatiosta

- Lue ehdottomasti tämä dokumentaatio ennen tuotteen käyttöönottoa. Se on turvallisen työnteon ja tuotteen ongelmattoman käsittelyn perusedellytys.
- Noudata tässä dokumentaatiossa ja tuotteessa olevia turvallisuus- ja varoitushuomautuksia.
- Säilytä käyttöohje aina tuotteen yhteydessä ja varmista, että käyttöohje on mukana, kun luovutat tuotteen toiselle henkilölle.

### 1.2 Merkkien selitykset

#### 1.2.1 Varoitushuomautukset

Varoitushuomautukset varoittavat tuotteen käyttöön liittyvistä vaaroista. Seuraavia varoitustekstejä käytetään:

#### VAKAVA VAARA

##### VAKAVA VAARA !

- ▶ Varoittaa uhkaavasta vaaratilanteesta, josta voi seurauksena olla vakava loukkaantuminen tai jopa kuolema.

#### VAARA

##### VAARA !

- ▶ Varoittaa mahdollisesta vaarasta, josta voi seurauksena olla vakava loukkaantuminen tai kuolema.





#### VAROITUS

##### VAROITUS !

- ▶ Varoittaa mahdollisesta vaaratilanteesta, josta voi seurata loukkaantuminen tai aineellinen vahinko.


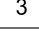
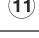

#### 1.2.2 Symbolit dokumentaatiossa

Tässä dokumentaatiossa käytetään seuraavia symboleita:

	Lue käyttöohje ennen käyttämistä
	Toimintaohjeita ja muuta hyödyllistä tietoa
	Kierrätyskelpoisten materiaalien käsittely
	Älä hävitä sähkölaitteita ja akkuja tavallisen sekajätteen mukana

#### 1.2.3 Symbolit kuvissa

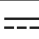
Kuvissa käytetään seuraavia symboleita:

	Nämä numerot viittaavat vastaavaan kuvaan tämän käyttöohjeen alussa
	Numerointi kertoo työvaiheiden järjestyksen kuvissa ja saattaa poiketa numeroinnista tekstissä
	Kohtanumeroita käytetään kuvassa <b>Yleiskuva</b> , ja ne viittaavat kuvatekstien numerointiin kappaleessa <b>Tuoteyhteenveto</b>
	Tämän merkin tarkoitus on kiinnittää erityinen huomiosi tuotteen käyttöön ja käsittelyyn.

### 1.3 Tuotekohtaiset symbolit

#### 1.3.1 Symbolit tuotteessa

Tuotteessa voidaan käyttää seuraavia symboleita:

	Tasavirta
---	-----------



n <sub>0</sub>	Joutokäynti-iskuluku
	Langaton tiedonsiirto
Li-Ion	Litiumioniakku
	Käytettävien Hilti-litiumioniakkujen tyyppisarja. Ota kappaleessa <b>Tarkoituksenmukainen käyttö</b> annetut tiedot huomioon.

## 1.4 Tuotetiedot

-tuotteet on tarkoitettu ammattikäyttöön, ja niitä saa käyttää, huoltaa tai korjata vain valtuutettu, koulutettu henkilö. Käyttäjän pitää olla hyvin perillä käyttöön liittyvistä vaaroista. Tuote ja sen varusteet saattavat aiheuttaa vaarallanteita, jos kokemattomat henkilöt käyttävät tuotetta ohjeiden vastaisesti tai muutoin asiattomasti.

Tyypimerkinnän ja sarjanumeron löydät tyyppikilvestä.

- Kirjoita sarjanumero oheiseen taulukkoon. Tuotteen tiedot tarvitaan, jos esität kysymyksiä myynti- tai huoltoedustajallemme.

### Tuotetiedot

Puukkosaha	SR 30-A36
Sukupolvi	01
Sarjanumero	

## 1.5 Vaatimustenmukaisuusvakuutus

Vakuutamme, että tässä kuvattu tuote täyttää voimassa olevien direktiivien ja standardien vaatimukset. Kuva vaatimustenmukaisuusvakuutuksesta on tämän dokumentaation lopussa.

Tekninen dokumentaatio löytyy tästä:

Hilti Entwicklungsgesellschaft mbH | Zulassung Geräte | Hiltistraße 6 | 86916 Kaufering, DE

## 2 Turvallisuus

### 2.1 Sähkötyökaluja koskevat yleiset turvallisuusohjeet

**⚠ VAKAVA VAARA Lue kaikki turvallisuus- ja käyttöohjeet, selostukset ja tekniset tiedot, jotka liittyvät tähän sähkötyökaluun.** Seuraavien ohjeiden noudattamatta jättäminen saattaa johtaa sähköiskuun, tulipaloon ja/tai vakavaan loukkaantumiseen.

**Säilytä kaikki turvallisuus- ja käyttöohjeet huolellisesti vastaisen varalle.**

Turvallisuusohjeissa käytetty käsite ”sähkötyökalu” tarkoittaa verkkokäyttöisiä sähkötyökaluja (joissa verkkojohto) ja akkukäyttöisiä sähkötyökaluja (joissa ei verkkojohtoa).

#### Työpaikan turvallisuus

- **Pidä työskentelyalue siistinä ja hyvin valaistuna.** Työpaikan epäjärjestys ja valaisemattomat työalueet voivat johtaa tapaturmiin.
- **Älä käytä sähkötyökalua räjähdysalttiissa ympäristössä, jossa on syttyvää nestettä, kaasua tai pölyä.** Sähkötyökalut synnyttävät kipinöitä, jotka saattavat sytyttää pölyn tai höyryt.
- **Pidä lapset ja sivulliset loitolla sähkötyökalua käyttäessäsi.** Voit menettää koneen hallinnan huomiosi suuntautuessa muualle.

#### Sähköturvallisuus

- **Sähkötyökalun pistokkeen pitää sopia pistorasiaan. Pistoketta ei saa muuttaa millään tavalla. Älä käytä pistorasia-adaptereita suojamaadotettujen sähkötyökalujen yhteydessä.** Alkuperäisessä kunnossa olevat pistokkeet ja sopivat pistorasiat vähentävät sähköiskun vaaraa.
- **Vältä koskettamasta sähköä johtaviin pintoihin kuten putkiin, pattereihin, liesiin ja jääkaappeihin.** Sähköiskun vaara kasvaa, jos kehosi maadottuu.
- **Älä aseta sähkötyökalua alttiiksi sateelle tai kosteudelle.** Veden tunkeutuminen sähkötyökalun sisään lisää sähköiskun vaaraa.
- **Älä kanna tai ripusta sähkötyökalua verkkojohdostaan äläkä vedä pistoketta irti pistorasiasta johdosta vetämällä.** Pidä johto loitolla kuumuudesta, öljystä, terävistä reunoista ja liikkuvista osista. Vahingoittuneet tai toisinsä kietoutuneet johdot lisäävät sähköiskun vaaraa.





- ▶ **Kun käytät sähkötyökalua ulkona, käytä ainoastaan ulkokäyttöön soveltuvia jatkojohtoja.** Ulko-käyttöön soveltuvan jatkojohdon käyttö pienentää sähköiskun vaaraa.
- ▶ **Jos sähkötyökalua on välttämätöntä käyttää kosteassa ympäristössä, käytä vikavirtasuojakytkintä.** Vikavirtasuojakytkimen käyttö pienentää sähköiskun vaaraa.

### Henkilöturvallisuus

- ▶ **Ole valpas, kiinnitä huomiota työskentelyysi ja noudata tervettä järkeä sähkötyökalua käyttäessäsi. Älä käytä sähkötyökalua, jos olet väsynyt tai huumeiden, alkoholin tai lääkkeiden vaikutuksen alaisena.** Sähkötyökalua käytettäessä hetkellisenkin varomattomuus saattaa aiheuttaa vakavia vammoja.
- ▶ **Käytä henkilökohtaisia suojavarusteita ja aina suojalaseja.** Henkilökohtaiset suojavarusteet, kuten hengityssuojain, luistamattomat turvajalkineet, kypärä ja kuulosuojaimet, pienentävät oikein käytettyinä loukkaantumisriskiä sähkötyökalun käyttötilanteesta riippuen.
- ▶ **Varo tahatonta käynnistämistä. Varmista, että sähkötyökalu on kytketty pois päältä, ennen kuin liität sen verkkovirtaan ja/tai liität siihen akun, otat sen käteesi tai kannat sitä.** Jos kannat sähkötyökalua sormi käyttökytkimellä tai liität pistokkeen pistorasiaan käyttökytkimen ollessa käyntiasennossa, altistat itsesi onnettomuuksille.
- ▶ **Poista kaikki säätötyökalut ja ruuvitalat, ennen kuin käynnistät sähkötyökalun.** Työkalu tai avain, joka sijaitsee koneen pyöriässä osassa, saattaa johtaa loukkaantumiseen.
- ▶ **Vältä vaikeita työskentelyasentoja. Varmista aina tukeva seisoma-asento ja tasapaino.** Siten voit paremmin hallita sähkötyökalua odottamattomissa tilanteissa.
- ▶ **Käytä työohsi soveltuvia vaatteita. Älä käytä löysiä työvaatteita tai koruja. Pidä hiukset, vaatteet ja käsineet loitolla liikkuvista osista.** Väljät vaatteet, korut ja pitkät hiukset voivat takertua liikkuviin osiin.
- ▶ **Jos pölynpoisto- ja keräilylaitteita voidaan asentaa, sinun on tarkastettava, että ne on liitetty oikein ja että niitä käytetään oikealla tavalla.** Pölynpoistovarustuksen käyttö vähentää pölyn aiheuttamia vaaroja.
- ▶ **Älä tuudittaudu virheelliseen turvallisuuden tunteeseen äläkä laiminlyö sähkötyökaluja koskevia turvallisuusohjeita silloinkaan, kun mielestäsi jo olet kokenut sähkötyökalun käyttäjä.** Harkitsema-ton ja huolimaton toiminta voi sekunnin murto-osissa johtaa vakaviin loukkaantumisiin.

### Sähkötyökalun käyttö ja käsittely

- ▶ **Älä ylikuormita konetta.** Käytä kyseiseen työhön tarkoitettua sähkötyökalua. Sopivaa sähkötyökalua käyttäen työskentelet paremmin ja varmemmin tehoalueella, jolle sähkötyökalu on tarkoitettu.
- ▶ **Älä käytä sähkötyökalua, jonka käyttökytkin ei toimi.** Sähkötyökalu, jota ei enää voida käynnistää ja pysäyttää käyttökytkimellä, on vaarallinen ja se täytyy korjata.
- ▶ **Irrota pistoke pistorasiasta ja/tai irrota akku ennen kuin muut säätöjä, vaihdat terää tai lisäva-rusteita ja kun lopetat koneen käyttämisen.** Tämä turvatoimenpide estää sähkötyökalun tahattoman käynnistysriskin.
- ▶ **Säilytä sähkötyökalut poissa lasten ulottuvilta, kun niitä ei käytetä. Älä anna toisten henkilöiden käyttää konetta, elleivät he ole perehtyneet sen käyttöön ja lukeneet käyttöohjeita.** Sähkötyökalut ovat vaarallisia, jos niitä käyttävät kokemattomat henkilöt.
- ▶ **Hoida sähkötyökaluja ja niiden varusteita huolella. Tarkasta, että liikkuvat osat toimivat moit-teettomasti eivätkä ole puristuksissa, ja tarkasta myös, ettei sähkötyökalussa ole murtuneita tai vaurioituneita osia, jotka saattaisivat haitata sen toimintaa. Korjauta vaurioituneet osat ennen koneen käyttämistä.** Usein loukkaantumisten ja tapaturmien syynä on sähkötyökalujen laiminlyöty huolto.
- ▶ **Pidä terät terävinä ja puhtaina.** Huolella hoidetut terät, joiden leikkausreunat ovat teräviä, eivät jumitu herkästi, ja niillä työntekeo on kevyempää.
- ▶ **Käytä sähkötyökalua, lisävarusteita ja tarvikkeita, teriä jne. niiden käyttöohjeiden mukaisesti. Ota tällöin työolosuhteet ja suoritettava työtehtävä huomioon.** Sähkötyökalun käyttö muuhun kuin sille tarkoitettuun käyttöön saattaa johtaa vaarallisiin tilanteisiin.
- ▶ **Pidä käsikahvat ja tartuntapinnat kuivina, puhtaina, öljyttöminä ja rasvattomina.** Jos käsikahvat tai tartuntapinnat ovat liukkaat, sähkötyökalun turvallinen käyttö ja hallinta voi yllättävissä tilanteissa olla mahdotonta.

### Akkukäyttöisen sähkötyökalun käyttö ja käsittely

- ▶ **Lataa akku vain valmistajan suositamalla laturilla.** Jos laturi on tarkoitettu vain tietyn akkumallin lataamiseen, palovaara on olemassa, jos laturia käytetään muiden akkujen lataamiseen.
- ▶ **Käytä ainoastaan juuri kyseiseen sähkötyökaluun tarkoitettua akkua.** Jonkun muun akun käyttö saattaa johtaa loukkaantumiseen ja tulipaloon.
- ▶ **Pidä irrallinen akku loitolla metalliesineistä, kuten paperinliittimistä, kolikoista, avaimista, nau-loista, ruuveista tai muista pienistä metalliesineistä, jotka voivat oikosulkea akun liittimet.** Akun liittimien välinen oikosulku saattaa aiheuttaa palovammoja tai johtaa tulipaloon.



- ▶ **Väärästä käytöstä johtuen saattaa akusta vuotaa nestettä, jota ei saa koskettaa. Vältä kosketusta sen kanssa. Tarvittaessa huuhtelee kosketuskohta vedellä. Jos nestettä pääsee silmiin, tarvitaan lisäksi lääkärin apua.** Akusta vuotava neste saattaa aiheuttaa ärsytystä ja palovammoja.
- ▶ **Älä käytä akkua, joka on vaurioitunut tai johon on tehty muutoksia.** Vaurioitunut akku tai akku, jota on muutettu, saattaa käyttäytyä yllättävästi ja aiheuttaa tulipalon, räjähdyskysen ja vammoja.
- ▶ **Varjele akkua avotulelta ja korkeilta lämpötiloilta.** Avotuli tai yli 130 °C:n (265 °F) lämpötila voi aiheuttaa räjähdyskysen.
- ▶ **Noudata kaikkia akun lataamisesta annettuja ohjeita, ja lataa akku tai akun sisältävä sähkötyökalu aina käyttöohjeessa mainittuja lämpötilarajoja noudattaen.** Akun virheellinen lataaminen tai lataaminen sallitun lämpötila-alueen lämpötiloja noudattamatta saattaa johtaa akun tuhoutumiseen ja aiheuttaa tulipalovaaran.

#### Huolto

- ▶ **Anna koulutettujen ammattihenkilöiden korjata sähkötyökalusi ja hyväksy korjauksiin vain alkupe- räisiä varaosia.** Siten varmistat koneen turvallisuuden säilymisen.
- ▶ **Älä koskaan yritä huoltaa vaurioitunutta akkua.** Akkujen kaikki huoltotyöt saa suorittaa vain valmistaja tai sen valtuuttama huoltopiste.

### 2.2 Lisää turvallisuusohjeita koskien edestakaisin liikkuvalla sahanterällä tehtäviä sahauskuja

- ▶ **Pidä koneesta kiinni vain sen eristetyistä kahvapinnoista, jos teet työtä, jossa terä saattaa osua rakenteen sisällä olevaan virtajohtoon.** Jos terä osuu virtajohtoon, koneen metalliosiin saattaa johtua virta, jolloin saatat saada sähköiskun.
- ▶ **Kiinnitä työkappale puristimilla tai muulla vastaavalla tavalla tukevaan alustaan.** Työkappaleen pitäminen paikallaan käsin tai keholla painaen ei ole riittävän tukevaa, joten saatat menettää koneen ja työkappaleen hallinnan.

### 2.3 Sahaamisen muut turvallisuusohjeet

#### Henkilöturvallisuus

- ▶ **Älä vie käsiäsi sahausalueelle tai lähelle sahanterää.** Pidä toisella kädelläsi kiinni lisäkavasta tai moottorikotelosta. Kun pidät sahasta kiinni molemmin käsin, et voi satuttaa käsiäsi terään.
- ▶ Käytä vain tuotetta, joka on teknisesti moitteettomassa kunnossa.
- ▶ **Älä koskaan tee koneeseen minkäänlaisia muutoksia.**
- ▶ Käytä työkaluterän vaihdossa suojakäsineitä. Työkaluterän koskettaminen saattaa aiheuttaa haavoja ja palovammoja.
- ▶ Selvitä työssä syntyvän pölyn vaarallisuus ennen työn aloittamista. Käytä rakennustyömaakäyttöön hyväksyttyä pölynimuria, joka täyttää viralliset pölysuojaluokitusmääräykset. Tiettyjen materiaalien kuten lyijypitoisen maalin, joidenkin puulajien, kvartsia sisältävän betonin / muurauksen / kivityksen ja mineraalien sekä metallien pölyt voivat olla terveydelle vaarallisia.
- ▶ Varmista työpaikasta hyvä tuuletus ja tarvittaessa käytä hengityssuojainta, joka soveltuu kyseessä olevalla pölylle. Pölyjen ihokosketus tai hengittäminen saattaa aiheuttaa allergisia reaktioita ja/tai hengitystiesairauksia koneen käyttäjälle tai lähellä oleville henkilöille. Asbestia sisältäviä materiaaleja saavat työstää vain erikoiskoulutetut henkilöt.
- ▶ **Älä tartu työkappaleeseen kiinni sen alapinnalta.**
- ▶ **Älä koskaan pidä sahattavaa työkappaletta paikallaan käsin tai jalalla.** Saha työkappaleet aina tukevalla alustalla.
- ▶ Pidä koneesta kiinni aina kunnolla molemmin käsin käsikahvoista, ja pidä kätesi asennossa, jossa pystyt hyvin vastustamaan mahdollisia takaiskuvoimia.
- ▶ Pidä käsikahvat kuivina ja puhtaina.
- ▶ Pysyttele aina sahanterän sivulla, älä koskaan asetu samaan linjaan sahanterän kanssa. Takaisku voi saada sahan ponnahtamaan taaksepäin!
- ▶ Jos sahanterä tarttuu kiinni tai keskeytät työn, kytke saha pois päältä ja odota rauhallisesti, kunnes sahanterä on kokonaan pysähtynyt. Älä koskaan yritä nostaa sahattavaa työkappaleesta tai vetää sahattavaa taaksepäin sahanterän vielä pyöriessä, sillä muutoin takaisku saattaa yllättää.
- ▶ Kun haluat käynnistää uudelleen sahan, jonka terä on työkappaleessa, keskitä ensin sahanterä sahaus- rakoon ja tarkasta, ettei sahanterän yksikään hammas ole kiinni työkappaleessa.
- ▶ Ole erityisen varovainen uppotaessasi terää seinään tai muuhun kohteeseen, jonka rakennetta et näe tarkasti. Materiaaliin upotettava sahanterä saattaa tarttua kiinni materiaaliin sisällä oleviin kappaleisiin tai esineisiin, minkä seurauksena kone iskee takaisin.



## Sähköturvallisuus

- ▶ Tarkasta ennen työn aloittamista, onko työskentelyalueella rakenteiden sisälle asennettuja sähköjohtoja tai kaasu- ja vesiputkia. Koneen ulkopinnan metalliosista saatat saada sähköiskun, jos vahingossa osut sähköjohtoon.
- ▶ Pidä koneesta kiinni vain sen eristetyistä kahvapinnoista, jos teet työtä, jossa työkaluterä saattaa osua rakenteen sisällä olevaan virtajohtoon. Jos terä osuu virtajohtoon, koneen metalliosiin saattaa johtua virta, jolloin saatat saada sähköiskun.

## Sähkötyökalujen käyttö ja hoito

- ▶ Älä käytä tylsiä tai vaurioituneita sahanteritä. Ne lisäävät kitkaa sekä sahanterän kiinni tarttumisen ja takaiskun vaaraa.
- ▶ Noudata valmistajan antamia ohjeita koskien sahanterien käsittelyä ja säilyttämistä.
- ▶ Tuotteen painotalla on painettava vasten työstettävää pintaa. Siten varmistat siistin ja turvallisen työnteon.
- ▶ Suojaa itsesi kuumilta lastuilta asianmukaisella suojavaatetuksella.

## 2.4 Muut turvallisuusohjeet

- ▶ Käytä vain tuotetta, joka on teknisesti moitteettomassa kunnossa.
- ▶ Älä koskaan tee koneeseen minkäänlaisia muutoksia.
- ▶ Älä käytä tylsiä tai vaurioituneita sahanteritä. Ne lisäävät kitkaa sekä sahanterän kiinni tarttumisen ja takaiskun vaaraa.
- ▶ Tarkasta ennen työn aloittamista, onko työskentelyalueella rakenteiden sisälle asennettuja sähköjohtoja tai kaasu- ja vesiputkia. Koneen ulkopinnan metalliosista saatat saada sähköiskun, jos vahingossa osut sähköjohtoon.
- ▶ Saha työkappaleet aina tukevalla alustalla. Älä koskaan pidä sahattavaa työkappaletta paikallaan käsin tai jalalla.
- ▶ Kytke tuote päälle vasta, kun olet juuri aloittamassa työn.
- ▶ Työskennellessäsi ohjaa konetta aina itsestäsi pois päin.
- ▶ Paina kohtuullisella voimalla ja käytä sopivaa sahausnopeutta, etenkin jos putken halkaisija on suuri. Näin vältät koneen ylikuumentumisen.
- ▶ Putkia katkaistessasi varmista, ettei putkissa enää ole nestettä. Tarvittaessa tyhjennä ne ensin.
- ▶ Putkea sahatessasi pidä kone katkaistavaa putkea korkeammalla.
  - ↳ Kone ei ole kosteussuojattu. Koneen sisään pääsevä neste voi aiheuttaa oikosulun.
- ▶ Älä koskaan sahaa materiaaleja, joista et tiedä mitä niiden sisällä on, ja pidä sahauskohdan ylä- ja alapinta vapaana.
  - ↳ Esteeseen osuva sahanterä voi aiheuttaa koneen takaiskun.
- ▶ Käytä työkaluterän vaihdossa suojakäsineitä. Työkaluterän koskettaminen saattaa aiheuttaa haavoja ja palovammoja.
- ▶ Irrota akku aina, kun et käytä konetta tai kun teet koneen huoltotöitä, vaihdat työkalua tai kuljetat konetta.
- ▶ Aktivoi kuljetusvarmistin aina, kun varastoit koneen tai kuljetat sitä.
- ▶ Noudata valmistajan antamia ohjeita koskien sahanterien käsittelyä ja säilyttämistä.
- ▶ Koneen käyttämisen aikana käyttäjän ja välittömässä läheisyydessä olevien henkilöiden on käytettävä soveltuvia suojalaseja, suojakypärää, kuulosuojaimia, suojakäsineitä ja kevyitä hengityssuojaimia.
- ▶ Käytä aina riittävän pitkää sahanterää. Sahanterän pitää koko liikkeensä myötä tulla ulos sahattavasta työkappaleesta.
- ▶ Pidä työssäsi rentouttavia taukoja, joiden aikana tee sormivoimisteluliikkeitä varmistaaksesi sormiesi hyvän verenkierron.
- ▶ Älä katso suoraan valoon (LED) äläkä suuntaa valoa muiden henkilöiden kasvoihin. Sokaistumisvaara on olemassa.
- ▶ Sirpaleet saattavat aiheuttaa vammoja ja vahingoittaa silmiä. Käytä henkilökohtaisia suojavausteita ja aina suojalaseja ja suojakäsineitä.
- ▶ Kun teet reikiä, varmista työstettävän kohdan taustapuoli.

## 2.5 Akkujen käyttö ja hoito

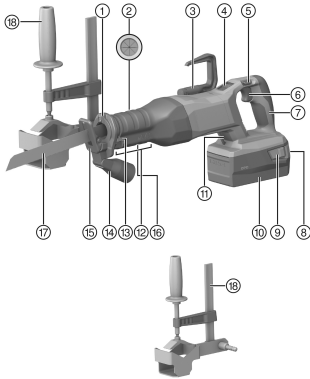
- ▶ Ota litiumioniakkujen kuljettamisesta, varastoinnista ja käyttämisestä annetut erityisohjeet huomioon.
- ▶ Suojaa akut korkeilta lämpötiloilta, suoralta auringonpaisteelta ja avotulelta.
- ▶ Akkuja ei saa avata, puristaa, kuumentaa yli 80 °C:n lämpötilaan tai polttaa.
- ▶ Älä käytä tai lataa akkua, joka on saanut iskun, joka on pudonnut yli metrin korkeudelta tai joka on muulla tavoin vaurioitunut. Tällaisessa tapauksessa ota aina yhteys **Hilti -huoltoon**.



- ▶ Jos akku on liian kuuma koskea, se saattaa olla vaurioitunut. Aseta tuote riittävän etäälle syttyistä materiaaleista palovaarattomaan paikkaan, jossa voit valvoa tuotetta, ja anna sen jäähtyä. Tällaisessa tapauksessa ota aina yhteys **Hilti -huoltoon**.

### 3 Kuvaus

#### 3.1 Tuoteyhteenveto



- ① Istukka
- ② Sahausadapterin kiinnityskohta
- ③ Kääntyvä telinekoukku
- ④ Kierrosluvun esivalinta
- ⑤ Kuljetusvarmistin
- ⑥ Käyttökytkin
- ⑦ Taaempi käsikahva
- ⑧ Akun lataustilan näyttö
- ⑨ Akun lukituksen vapautuspainike
- ⑩ Akku
- ⑪ Varmistuslenkki
- ⑫ Etummainen kahva-alue
- ⑬ Sahanterän lukituksen vapautusvipu
- ⑭ Poistoimuliitântä (USA: lisävaruste)
- ⑮ Painotalla
- ⑯ Painotallan vapautuspainike
- ⑰ Sahanterä
- ⑱ Sahausadapteri (lisävaruste)

#### 3.2 Tarkoituksenmukainen käyttö

Kuvattu tuote on akkukäyttöinen puukkosaha. Se on tarkoitettu puun, puun kaltaisten ja metallisten materiaalien sekä muovien sahaamiseen.

Tuote on tarkoitettu kahdella kädellä käytettäväksi.

- ▶ Käytä tämän tuotteen yhteydessä vain B 36 -tyyppisarjan **Hilti**-litiumioniakkuja.
- ▶ Käytä tämän akun yhteydessä vain C4/36-sarjan **Hilti**-latureita.

#### 3.3 Mahdollinen väärä käyttö

- ▶ Älä sahaa tiiltä, betonia, kaasubetonia, luonnonkiveä tai laattoja.
- ▶ Älä käytä tuotetta nestettä sisältävien putkien katkaisemiseen.
- ▶ Älä sahaa materiaalia, jonka sisällä olevaa rakennetta tai materiaaleja et tiedä.

#### 3.4 Litiumioniakun lataustilan näyttö

Litiumioniakun lataustila ja koneen häiriöt näytetään litiumioniakun näytössä. Litiumioniakun lataustila näytetään, kun jompaakumpaa akun lukituksen vapautuspainikkeista painetaan kevyesti.

Tila	Merkitys
4 LED-merkkivaloa palaa.	Lataustila: 75 % ... 100 %
3 LED-merkkivaloa palaa.	Lataustila: 50 % ... 75 %
2 LED-merkkivaloa palaa.	Lataustila: 25 % ... 50 %
1 LED-merkkivalo palaa.	Lataustila: 10 % ... 25 %
1 LED-merkkivalo vilkkuu.	Lataustila: < 10 %
1 LED-merkkivalo vilkkuu, kone ei ole toimintavalmis.	Akku on ylikuumentunut tai täysin tyhjentynyt.
4 LED-merkkivaloa vilkkuu, kone ei ole toimintavalmis.	Kone on ylikuormittunut tai ylikuumentunut.



**i** Akun lataustilan tarkastaminen ei ole mahdollista käyttökytkin painettuna ja 5 sekunnin aikana käyttökytkimen vapauttamisesta.

Jos akun LED-merkkivalot vilkkuvat, ota huomioon ohjeet kappaleessa Apua häiriötilanteisiin.

### 3.5 Toimituksen sisältö

Puukkosaha, käyttöohje.

Muita tälle tuotteelle hyväksytyjä järjestelmätuotteita löydät **Hilti Store** -liikkeestä tai nettiosoitteesta: [www.hilti.group](http://www.hilti.group).

## 4 Tekniset tiedot

	SR 30-A36
Nimellisjännite	36 V
Paino EPTA 01 mukaan	5,2 kg
Iskuluku (Asento 1)	2 000/min
Iskuluku (Asento 2)	2 800/min
Iskupituus	32 mm
Istukka	0,5 in
Ympäristön lämpötila käytettäessä	-17 °C ... 60 °C
Varastointilämpötila	-20 °C ... 70 °C

### 4.1 Melutiedot ja värinäarvot EN 62841 mukaan

Tässä käyttöohjeessa annetut äänenpaine- ja värinäarvot on mitattu standardoitujen mittausmenetelmien mukaisesti, ja näitä arvoja voidaan käyttää sähkötyökalujen vertailussa. Ne soveltuvat myös altistumisten tilapäiseen arviointiin.

Annetut arvot koskevat sähkötyökalun pääasiallisia käyttötarkoituksia. Jos sähkötyökalua kuitenkin käytetään muihin tarkoituksiin, poikkeavia työkaluja tai teriä käyttäen tai puutteellisesti hoidettuna, arvot voivat poiketa tässä ilmoitetuista. Tämä saattaa merkittävästi lisätä altistumista koko työskentelyajan aikana.

Altistumisia tarkasti arvioitaessa on otettava huomioon myös ne ajat, jolloin kone on kytketty pois päältä tai jolloin kone on päällä, mutta sillä ei tehdä varsinaista työtä. Tämä saattaa merkittävästi vähentää altistumista koko työskentelyajan aikana.

Käyttäjän suojaamiseksi melun ja/tai värinän vaikutukselta ryhdy tarpeellisiin turvatoimenpiteisiin kuten: Sähkötyökalun ja siihen kiinnitettävien työkalujen huolto, käsien lämpimänä pitäminen, työtehtävien organisointi.

#### Melutiedot

	SR 30-A36
Äänitehotaso ( $L_{WA}$ )	96 dB(A)
Äänitehotason epävarmuus ( $K_{WA}$ )	5 dB(A)
Äänenpainetaso ( $L_{pA}$ )	85 dB(A)
Äänenpainetaso epävarmuus ( $K_{pA}$ )	5 dB(A)

#### Tärinän kokonaisarvot

	SR 30-A36
Tärinäarvo sahattaessa lastulevyä ( $a_{h,B}$ )	22,5 m/s <sup>2</sup>
Epävarmuus sahattaessa lastulevyä (K)	3,7 m/s <sup>2</sup>
Tärinäarvo sahattaessa puupalkkia ( $a_{h,WB}$ )	20,5 m/s <sup>2</sup>
Epävarmuus sahattaessa puupalkkia (K)	3,3 m/s <sup>2</sup>

### 4.2 Akku

Akkutoimintajännite	36 V
Ympäristön lämpötila käytettäessä	-17 °C ... 60 °C



Varastointilämpötila	-20 °C ... 40 °C
Akun lämpötila lataamisen alkaessa	-10 °C ... 45 °C

## 5 Työkohteen valmistelu

### VAROITUS

#### Loukkaantumisvaara vahingossa käynnistymisen seurauksena!

- ▶ Varmista ennen akun kiinnittämistä, että tuote on kytketty pois päältä.
- ▶ Irrota akku, ennen kuin muutat koneen säätöjä tai vaihdat lisävarusteosia.

Noudata tässä dokumentaatioissa ja tuotteessa olevia turvallisuus- ja varoitushuomautuksia.

### 5.1 Akun lataus

1. Ennen lataamista lue laturin käyttöohje.
2. Varmista, että liittimet akussa ja laturissa ovat puhtaat ja kuivat.
3. Lataa akku hyväksytyllä laturilla.

### 5.2 Akun kiinnitys

#### VAROITUS

#### Loukkaantumisvaara akun oikosulun tai putoamisen seurauksena!

- ▶ Ennen akun paikalleen laittamista varmista, ettei akun liittimissä akussa ja tuotteessa ole vieraita esineitä.
- ▶ Varmista, että akku aina lukittuu kunnolla paikalleen.

1. Lataa akku täyteen ennen ensimmäistä käyttökertaa.
2. Aseta akku kiinnikkeeseen koneessa siten, että akku kuultavasti lukittuu.
3. Tarkasta, että akku on kunnolla kiinni.

### 5.3 Akun irrotus

1. Paina akun lukituksen vapautuspainikkeita.
2. Vedä akku irti kiinnikkeestään koneessa.

### 5.4 Telinekoukun (lisävaruste) kiinnitys

1. Aktivoi kuljetusvarmistin.
2. Kiinnitä telinekoukku.

### 5.5 Sahanterän kiinnitys

Käytä vain sahanteriä, joissa on 1/2"-kiinnityspää.

1. Aktivoi kuljetusvarmistin tai irrota koneesta akku.
2. Tarkasta, että työkalun kiinnityspää on puhdas ja kevyesti rasvattu. Tarvittaessa puhdista ja rasvaa kiinnityspää.
3. Työnnä lukitusvipu vasteeseen saakka ylöspäin ja pidä se tässä asennossa.
4. Paina sahanterä edestäpäin istukkaan.
5. Anna lukitusvivun palautua takaisin perusasentoonsa.
6. Tarkasta sahanterästä vetämällä, että se on lukittunut paikalleen.

### 5.6 Poistoimuliitännän kiinnitys (USA: lisävaruste)

1. Vedä painotalla irti.
2. Aseta poistoimuliitäntä painotallan kiinnityskohtaan.
3. Ohjaa kevyesti rasvattu painotalla kunnolla ohjaimeensa.



## 6 Käyttö

### VAROITUS

#### Loukkaantumisaavaara akun oikosulun tai putoamisen seurauksena!

- ▶ Ennen akun paikalleen laittamista varmista, ettei akun liittimissä akussa ja tuotteessa ole vieraita esineitä.
- ▶ Varmista, että akku aina lukittuu kunnolla paikalleen.

Noudata tässä dokumentaatioissa ja tuotteessa olevia turvallisuus- ja varoitushuomautuksia.

### 6.1 Sahan ohjaaminen

1. Pidä sahasta kiinni sen kahvoista.
2. Vie saha vasten työ kappaletta.
3. Liikuta sahaa edestakaisin.
  - ↳ Kun painat sahan työ kappaleeseen, sahanterä saattaa katketa ja sen seurauksena saatat loukkaantua.

### 6.2 Sahaaminen

#### VAARA

**Viallinen ripustuskoukku aiheuttaa loukkaantumisaavaaran!** Putoamaan pääsevä kone saattaa aiheuttaa vaaran sinulle tai muille lähellä oleville.

- ▶ Ennen työn aloittamista tarkasta, että vyökoukku on kunnolla kiinnitetty ja vaurioton.

1. Deaktivoi kuljetusvarmistin ja paina sitten käyttökytkintä.
  - ↳ Kuvaosion löydät erilaisia mahdollisuuksia tehokkaaseen sahaamiseen.
2. Sahaamisen päätteeksi vapauta käyttökytkin.
3. Aktivoi kuljetusvarmistin.

### 6.3 Sahanterän irrotus

#### VAROITUS

**Loukkaantumisaavaara!** Työkaluterä voi olla kuuma ja/tai teräväreunainen.

- ▶ Käytä suojakäsineitä, kun vaihdat työkaluterää.
- ▶ Älä koskaan laske työkaluterää syttyvälle alustalle.

1. Aktivoi kuljetusvarmistin tai irrota koneesta akku.
2. Työnnä lukitusvipu vasteeseen saakka ylöspäin ja pidä se tässä asennossa.
3. Vedä sahanterä eteenpäin irti istukasta.
4. Anna lukitusvivun palautua takaisin perusasentoonsa.

## 7 Huolto, hoito ja kunnossapito

#### VAARA

**Loukkaantumisaavaara jos akku paikallaan !**

- ▶ Irrota akku aina ennen hoito- ja kunnostustöitä!

#### Koneen hoito

- Poista pinttynyt lika varovasti.
- Puhdista jäähdytysilmaraot varovasti kuivalla harjalla.
- Käytä kotelon puhdistamiseen vain kevyesti kostutettua kangasta. Älä käytä silikonia sisältäviä hoitoaineita, sillä ne voivat vaurioittaa muoviosia.
- Voitele istukka ulko- ja sisäpuolelta säännöllisesti. Käytä siihen Hilti-spraytä 314648.

#### Litiumioniakkujen hoito

- Pidä akku puhtaana, öljyttömänä ja rasvattomana.
- Käytä kotelon puhdistamiseen vain kevyesti kostutettua kangasta. Älä käytä silikonia sisältäviä hoitoaineita, sillä ne voivat vaurioittaa muoviosia.
- Varo, ettei kosteutta pääse tunkeutumaan sisään.



## Kunnossapito

- Tarkasta säännöllisin välein kaikkien näkyvien osien mahdolliset vauriot ja käyttöelementtien moitteeton toiminta.
- Jos havaitset vaurioita ja / tai toteat toimintahäiriöitä, älä käytä tuotetta. Korjauta heti **Hilti**-huollossa.
- Hoito- ja kunnostustöiden jälkeen kiinnitä kaikki suojalaitteet ja tarkasta niiden toiminta.

**i** Käyttöturvallisuuden varmistamiseksi käytä vain alkuperäisiä varaosia ja käyttömateriaaleja. Tälle tuotteelle hyväksytyjä varaosia, kulutusmateriaaleja ja lisävarusteita löydät **Hilti Store** -liikkeestä tai osoitteesta: [www.hilti.group](http://www.hilti.group).

### 7.1 Painotallan vaihto

**i** Painotalla voidaan tarvittaessa vaihtaa.

1. Irrota akku.
2. Irrota sahanterä. → Sivu 65
3. Paina painotallan punaista vapautuspainiketta puukkosahan alapinnassa.
4. Vedä painotalla irti.
5. Paina painotallan punaista vapautuspainiketta puukkosahan alapinnassa.
6. Ohjaa kevyesti rasvattu painotalla kunnolla ohjaimensa.
7. Varmista, että painotalla lukittuu.

## 8 Akkukäyttöisten koneiden kuljetus ja varastointi

### Kuljettaminen

#### VAROITUS

#### Käynnistyminen vahingossa kuljetuksen aikana !

- ▶ Kuljeta tuotteesi aina akku irrotettuna!
- ▶ Irrota akut.
- ▶ Älä koskaan kuljeta akkuja irrallaan muiden tavaroiden joukossa.
- ▶ Pitemmän kuljetuksen jälkeen tarkasta koneen ja akkujen mahdolliset vauriot ennen käyttöä.

### Varastointi

#### VAROITUS

#### Viallinen tai vuotava akku voi aiheuttaa vaurioita !

- ▶ Varastoi tuotteesi aina akku irrotettuna!
- ▶ Varastoi kone ja akut viileässä ja kuivassa paikassa.
- ▶ Älä koskaan varastoi akkuja auringonpaisteessa, lämmittimen tai patterin päällä tai ikkunan vieressä.
- ▶ Varastoi kone ja akut lasten ja asiattomien henkilöiden ulottumattomissa.
- ▶ Pitemmän varastoinnin jälkeen tarkasta kone ja akkujen mahdolliset vauriot ennen käyttöä.

## 9 Apua häiriötilanteisiin

Häiriöissä, joita ei ole kuvattu tässä taulukossa tai joita et itse pysty poistamaan, ota yhteys **Hilti**-huoltoon.

### 9.1 Puukkosaha ei ole toimintakykyinen

Häiriö	Mahdollinen syy	Ratkaisu
Kone ei käynnisty.	Akku ei kunnolla kiinni.	▶ Kiinnitä akku siten, että se kuultavasti naksauttaen lukittuu paikalleen.
	Akku tyhjä.	▶ Lataa akku.
	Kuljetusvarmistinta ei painettu.	▶ Paina kuljetusvarmistinta.
Sahanterää ei saa irrotettua istukasta.	Lukitusvipu ei vasteeseen saakka painettuna.	▶ Paina lukitusvipu vasteeseen saakka ja irrota sahanterä.





Häiriö	Mahdollinen syy	Ratkaisu
Sahanterää ei saa irrotettua istukasta.	Istukka sahausjäänteiden tukkima.	► Poista sahausjäänteet ja puhdistusta istukka ulkopuolelta säännöllisesti. Koneen hoito. → Sivu 65

## 9.2 Puukkosaha on toimintakykyinen

Häiriö	Mahdollinen syy	Ratkaisu
Koneen teho on heikko.	Käyttökytkin ei täysin pohjaan painettuna	► Paina käyttökytkin täysin pohjaan.
	Akku tyhjentynyt	► Vaihda akku ja lataa tyhjentynyt akku.
Sahanterää ei saa irrotettua istukasta.	Lukitusvipu ei vasteeseen saakka painettuna.	► Paina lukitusvipu vasteeseen saakka ja irrota sahanterä.

## 10 Hävittäminen

**Hilti**-työkalut, -koneet ja -laitteet on pääosin valmistettu kierrätyskelpoisista materiaaleista. Kierrätyksen edellytys on materiaalien asianmukainen lajittelu. Useissa maissa **Hilti** ottaa vanhat koneet ja laitteet vastaan kierrätystä ja hävitystä varten. Lisätietoja saat **Hilti**-huollosta tai -edustajalta.

### Akkujen hävittäminen

Määräystenvastaisten hävittämisen seurauksena akuista ulos pääsevät kaasut tai nesteet voivat vaarantaa terveyden.

- Älä lähetä vaurioituneita akkuja!
- Peitä liitännät sähköä johtamattomalla materiaalilla oikosulkujen välttämiseksi.
- Hävitä akut siten, etteivät ne voi joutua lasten käsiin.
- Hävitä akku viemällä se **Hilti Store** -liikkeeseen tai käänny vastuullisen jätteenkäsittely-yrityksen puoleen.



- Älä hävitä sähkötyökaluja, elektronia laitteita ja akkuja tavallisen sekajätteen mukana!

## 11 RoHS (vaarallisten aineiden käytön rajoittamisen direktiivi)

Vaarallisten aineiden taulukon löydät seuraavasta linkistä: [qr.hilti.com/r5962277](http://qr.hilti.com/r5962277).

Linkki RoHS-taulukkoon on tämän dokumentaation lopussa QR-koodina.

## 12 Valmistajan myöntämä takuu

- Jos sinulla on takuuehtoihin liittyviä kysymyksiä, ota yhteys paikalliseen **Hilti**-edustajaan.



## 1 Andmed dokumentatsiooni kohta

### 1.1 Kasutusjuhend

- Enne seadme kasutuselevõttu lugege see kasutusjuhend läbi. See on ohutu kasutamise ja tõrgeteta töö eeldus.
- Järgige kasutusjuhendis esitatud ja tootele märgitud ohutusnõudeid ja hoiatusi.
- Hoidke kasutusjuhend alati seadme juures ja toote edasiandmisel teistele isikutele andke üle ka kasutusjuhend.

### 1.2 Märkide selgitus

#### 1.2.1 Hoiatused

Hoiatused annavad märku toote kasutamisel tekkivatest ohtudest. Kasutatakse alljärgnevaid märksõnu:



**OHT**

**OHT !**

- ▶ Võimalikud ohtlikud olukorrad, mis võivad põhjustada kasutaja raskeid kehavigastusi või hukkumist.



**HOIATUS**

**HOIATUS !**

- ▶ Võimalik ohtlik olukord, mis võib põhjustada kasutaja raskeid kehavigastusi või hukkumist.



**ETTEVAATUST**

**ETTEVAATUST !**

- ▶ Võimalikud ohtlikud olukorrad, millega võivad kaasnedna kergemad kehavigastused või varaline kahju.

#### 1.2.2 Kasutusjuhendis kasutatud sümbolid

Selles dokumendis kasutatakse järgmisi sümboleid.



Lugege enne kasutamist läbi kasutusjuhend!



Soovitused seadme kasutamiseks ja muu kasulik teave



Taaskasutatavate materjalide käsitsemine



Elektriseadmeid ja akusid ei tohi visata olmejäätmete hulka.

#### 1.2.3 Joonistel kasutatud sümbolid

Joonistel kasutatakse järgmisi sümboleid.

**2**

Numbrid viitavad vastavatele joonistele kasutusjuhendi alguses

3

Numeratsioon kajastab tööetappide järjekorda pildi kujul ja võib tekstis kirjeldatud tööetappidest erineda

**11**

Positsiooninumbrid **kasutatakse ülevaatejoonisel** ja need viitavad selgituste numbritele **toote ülevaates**



See märk näitab, et toote käsitsemisel tuleb olla eriti tähelepanelik.

### 1.3 Tootest sõltuvad sümbolid

#### 1.3.1 Sümbolid tootel

Tootel võib kasutada alljärgnevaid sümboleid:



Alalisvool



n <sub>0</sub>	Tühikäigusagedus
	Andmete traadita ülekandmine
Li-Ion	Liitumioonaku
	Kasutatud <b>HilTI</b> Li-Ion-aku seeria. Pidage kinni peatükis <b>Nõuetekohane kasutamine</b> esitatud juhistest.

#### 1.4 Tooteinfo

**HILTI** tooted on ette nähtud professionaalsele kasutajale ja neid tohivad käsitseda, hooldada ja korras hoida ainult volitatud ja asjaomase väljaõppega isikud. Nimetatud personal peab olema teadlik kõikidest kaasnevatest ohtudest. Seade ja sellega ühendatavad abivahendid võivad osutada ohtlikuks, kui neid ei kasutata nõuetekohaselt või kui nendega töötab vastava väljaõppeta isik.

Tüübitähis ja seerianumber on tüübisildil.

- ▶ Kandke seerianumber järgmise tabelisse. Andmeid toote kohta vajate meie esindusele või hooldekusele päringute esitamisel.

##### Tooteinfo

Saabelsaag	SR 30-A36
Põlvkond	01
Seerianumber	

#### 1.5 Vastavusdeklaratsioon

Kinnitame ainuvastutajana, et käesolevas kasutusjuhendis kirjeldatud seade vastab kehtivate direktiivide ja standardite nõuetele: Vastavusdeklaratsiooni ärakirja leiате käesoleva kasutusjuhendi lõpust.

Tehnilised dokumendid on saadaval:

HilTI Entwicklungsgesellschaft mbH | Zulassung Geräte | Hiltistraße 6 | 86916 Kaufering, DE

## 2 Ohutus

### 2.1 Üldised ohutusnõuded elektriliste tööriistade kasutamisel

**⚠ HOIATUS! Lugege kõiki selle elektrilise tööriista juurde kuuluvaid ohutusjuhiseid, nõuandeid, jooniseid ja tehnilisi andmeid!** Järgmiste juhiste eiramise tagajärg võib olla elektrilöökk, tulekahju ja/või rasked vigastused.

**Hoidke kõik ohutusnõuded ja juhised edaspidiseks kasutamiseks alles.**

Ohutusjuhistes kasutatud mõiste "elektriline tööriist" käib võrgutoiteta (toitejuhtmega) elektriliste tööriistade või akutoiteta (toitejuhtmeta) elektriliste tööriistade kohta.

#### Ohutus töökohal

- ▶ **Hoidke oma töökoht puhas ja valgustage seda korralikult.** Korrastamata ja valgustamata töökoht võib põhjustada õnnetusi.
- ▶ **Ärge kasutage elektrilist tööriista plahvatusohtlikus keskkonnas, kus leidub tuleohtlikke vedelikke, gaase või tolmu.** Elektrilistest tööriistadest lööb sädemeid, mis võivad tolmu või auru süüdata.
- ▶ **Hoidke lapsed ja kõik teised töökohast eemal, kui kasutate elektrilist tööriista!** Kui teie tähelepanu juhitakse kõrvale, võib seade teie kontrolli alt väljuda.

#### Elektriohutus

- ▶ **Elektrilise tööriista pistik peab sobima pistikupesaga. Pistiku juures ei tohi teha mingeid muudatusi. Kaitsemaandusega seadmete puhul ei tohi kasutada adapterpistikuid.** Muutmata pistikud ja sobivad pistikupesad vähendavad elektrilöögiohtu.
- ▶ **Vältige keha kontakti maandatud pindadega (nt toru, radiaator, pliit, külmik).** Kui teie keha on maandatud, on elektrilöögi oht suurem.
- ▶ **Kaitske elektrilist tööriista vihma ja niiskuse eest.** Kui elektrilise tööriista sisemusse satub vett, suurendab see elektrilöögiohtu.
- ▶ **Ärge kasutage ühenduskaablit elektrilise tööriista kandmiseks, riputamiseks ega pistiku stepslist väljatõmbamiseks!** Hoidke ühenduskaablit eemal kuumusest, õlidest, teravatest servadest ja liikuvatest osadest. Kahjustatud või keerdu ühenduskaablid suurendavad elektrilöögiohtu.



- ▶ **Kui töotate elektrilise tööriistaga vabas õhus, kasutage ainult selliseid pikendusjuhtmeid, mida tohib kasutada ka välitingimustes.** Välitingimustes sobiva pikendusjuhtme kasutamine vähendab elektrilöögiohtu.
- ▶ **Kui seadmega töötamine niiskes keskkonnas on vältimatu, kasutage rikkevoolu kaitselüliti.** Rikkevoolu kaitselüliti kasutamine vähendab elektrilöögiohtu.

#### Inimeste ohutus

- ▶ **Olge tähelepanelik, jälgige, mida teete, ja toimige elektrilise tööriistaga töötades kaalutletult. Ärge töötage elektrilise tööriistaga, kui olete väsinud või alkoholi, narkootikumide või ravimite mõju all!** Hetkeline tähelepanematus elektrilise tööriista kasutamisel võib põhjustada raskeid kehavigastusi ja varalist kahju.
- ▶ **Kandke isiklikke kaitsevahendeid ja alati kaitseprille.** Isiklike kaitsevahendite, nt tolmu maski, libisemiskindlate turvajalatsite, kaitsekiivri või kuulmiskaitsevahendite kandmine (sõltuvalt elektrilise tööriista tüübist ja kasutusala) vähendab vigastusohtu.
- ▶ **Vältige elektrilise tööriista soovimatut käivitamist! Enne elektrilise tööriista ühendamist vooluvõrku ja/või elektrilise tööriista aku paigaldamist, tööriista ülestõstmist ja kandmist veenduge, et elektriline tööriist on välja lülitatud!** Kui hoiate elektrilise tööriista kandmisel sõrme lülilil või ühendate vooluvõrku sisselülitatud tööriista, võib juhtuda õnnetus.
- ▶ **Enne elektrilise tööriista sisselülitamist eemaldage selle küljest seade- ja mutrivõtmed.** Elektrilise tööriista pöörleva osa küljes olev seade- või mutrivõti võib põhjustada vigastusi.
- ▶ **Vältige ebatavalist tööasendit! Võtke stabiilne tööasend ja säilitage alati tasakaal.** Nii saate elektrilist tööriista ootamatutes olukordades paremini kontrollida.
- ▶ **Kandke sobivat rõivastust. Ärge kandke laiu riideid ega ehteid! Hoidke juuksed, rõivad ja kindad seadme liikuvatest osadest eemal.** Lotendavad riided, ehted ja pikad juuksed võivad sattuda seadme liikuvate osade vahele.
- ▶ **Kui elektrilise tööriista külge on võimalik paigaldada tolmuemaldus- ja kogumisseadiseid, veenduge, et need on tööriistaga ühendatud ja et neid kasutatakse nõuetekohaselt.** Tolmuemaldusseadise kasutamine võib vähendada tolmu taset tingitud ohte.
- ▶ **Ärge laske tekkida petlikul turvatundel ega eirake elektrilise tööriista ohutusreegleid isegi siis, kui olete pärast paljukordset kasutamist elektrilise tööriistaga harjunud.** Tähelepanematu käsitsemise võib sekundi murdosa jooksul kaasa tuua raskeid vigastusi.

#### Elektrilise tööriista kasutamine ja käsitsemine

- ▶ **Ärge koormake seadet üle! Kasutage konkreetseks tööks sobivat elektrilist tööriista.** See töötab ettenähtud jõudluspiirides tõhusamalt ja ohutumalt.
- ▶ **Ärge kasutage elektrilist tööriista, mille lüliti on rikkis!** Elektriline tööriist, mida ei saa enam lülitsit korralikult sisse ja välja lülitada, on ohtlik ning tuleb viia parandusse.
- ▶ **Tõmmake enne seadme mis tahes seadetõid, tarvikute vahetamist ja seadme hoivulepanekut pistik pistikupesast välja ja/või eemaldage äravõetat aku.** See ettevaatusabinõu hoiab ära seadme soovimatu käivitumise.
- ▶ **Kasutusvälisel ajal hoidke elektrilist tööriista lastele kättesaamatus kohas. Ärge laske seadet kasutada isikutel, kes seadme tööpõhimõtet ei tunne või ei ole lugenud käesolevaid kasutusjuhendeid.** Asjatundmatute isikute käes on elektrilised tööriistad ohtlikud.
- ▶ **Hooldage elektrilisi tööriistu ja tarvikuid korralikult. Kontrollige, kas liikuvad osad töötavad veatult ega kiilu kiini. Veenduge, et seadme osad ei ole murdunud või kahjustatud määral, mis mõjutab seadme töökindlust. Laske jahustatud osad enne seadme kasutamist parandada.** Ebapiisavalt hooldatud elektrilised tööriistad põhjustavad õnnetusi.
- ▶ **Hoidke lõiketarvikud teravad ja puhtad.** Hästi hooldatud, teravate lõikeservadega lõiketarvikud kiiluvad harvemini kinni ja neid on lihtsam juhtida.
- ▶ **Kasutage elektrilist tööriista, tarvikuid ja lisatarvikuid vastavalt nende juhiste. Arvestage seejuures töötingimuste ja tehtava töö iseloomuga.** Elektrilise tööriista kasutamine otstarbel, milleks see ei ole ette nähtud, võib põhjustada ohtlikke olukordi.
- ▶ **Käepidemed ja haardepinnad peavad olema kuivad, puhtad ning vabad õlist ja rasvast.** Libedad käepidemed ja haardepinnad ei võimalda elektrilist tööriista ootamatutes olukordades kindlalt käsitseta ega kontrollida.

#### Akuga tööriista kasutamine ja käsitsemine

- ▶ **Laadige akusid ainult tootja soovitatud laadimisseadmega.** Kui teatud tüüpi aku laadimiseks ettenähtud laadimisseadet kasutatakse teist tüüpi akude laadimiseks, tekib tulekahjuoht.
- ▶ **Kasutage elektrilistes tööriistades ainult ettenähtud akusid.** Teist tüüpi akude kasutamine võib põhjustada vigastus- ja põlenguohtu.



- ▶ **Hoidke akud kasutusvälisel ajal eemal kirjaklambritest, müntidest, võtmetest, naeltest, kruvidest ja teistest väikestest metallasemetest, mis võivad aku kontaktid omavahel ühendada.** Aku kontaktide vahel tekkev lühis võib põhjustada põletuse või tulekahju.
- ▶ **Väärkasutuse korral võib akuvedelik akust välja voolata. Vältige sellega kokkupuudet. Juhusliku kokkupuute korral loputage kahjustatud kohta veega. Kui vedelik satub silma, otsige ka arstiabi.** Väljavoolav akuvedelik võib põhjustada nahaärritust või põletust.
- ▶ **Ärge kasutage kahjustatud ega modifitseeritud akut!** Kahjustatud või modifitseeritud akud võivad käituda ettenägematult ja põhjustada tulekahju, plahvatusi või vigastusohtu.
- ▶ **Ärge laske akul kokku puutuda tule ega liiga kõrge temperatuuriga!** Tuli või temperatuur üle 130 °C (265 °F) võivad tekitada plahvatuse.
- ▶ **Järgige kõiki laadimisjuhiseid ja ärge kunagi laadige akut ega akutööriista väljaspool kasutusjuhendis näidatud temperatuurivahemikku.** Väär laadimine või laadimine väljaspool lubatud temperatuurivahemikku võib kahjustada akut ja suurendada tuleohtu.

#### Hooldus

- ▶ **Laske elektrilist tööriista parandada ainult kvalifitseeritud spetsialistidel, kes kasutavad originaalvaruosi.** Nii on tagatud elektrilise tööriista ohutu töö.
- ▶ **Ärge hooldage kahjustatud akut!** Akut võib hooldada ainult tootja või volitatud klienditeenindus.

### 2.2 Täiendavad ohutusnõuded pendelliikumisega saekettaga saagimisel

- ▶ **Kui teete töid, mille puhul võib tarvik tabada varjatud elektrijuhtmeid, hoidke seadet isoleeritud haardepinnast.** Kokkupuude pingestatud elektrijuhtmega võib seada pinge alla ka seadme metalldetailid ja põhjustada elektrilöögi.
- ▶ **Kinnitage tarvik pitskruviga või muul viisil stabiilse aluspinna külge.** Kui hoiate toorikut ainult käega või surute selle vastu oma keha, ei ole see kindlalt fikseeritud, mille tagajärjel võite kaotada seadme üle kontrolli.

### 2.3 Täiendavad ohutusnõuded saagimisel

#### Inimeste turvalisus

- ▶ Ärge viige oma käsi saagimispiirkonda ega vastu saelehte! Hoidke teise käega lisakäepidemest või mootorikorpusest. Kui hoiate saagi kahe käega, siis jäävad teie käed terveks.
- ▶ Kasutage toodet ainult siis, kui selle tehniline seisukord on veatu.
- ▶ Ärge kunagi muutke ega modifitseerige seadet.
- ▶ Kandke ka tarvikut vahetades kaitsekindaid! Tarviku puudutamine võib tekitada löikehaavu ja põletusi.
- ▶ Enne töö algust tehke kindlaks töötamisel tekkiva tolmu ohuklass. Kasutage ettenähtud kaitseklassi kuuluvat ehitustolmuimejat, mis vastab kehtivatele tolmukaitseõuetele. Pliisisaldusega värvide, teatavat liiki puidu, betooni/müüritise/kvartsisisaldusega kivi, mineraalide ja metalli tolm võib kahjustada tervist.
- ▶ Tagage töökohal hea ventilatsioon ja vajaduse korral kandke tekkiva tolmu filtreerimiseks sobivat hingamisteede kaitsemaski. Kokkupuude tolmuga või tolmu sissehingamine võib põhjustada kasutajal või läheduses viibijatel allergilist reaktsiooni ja/või hingamisteede haigusi. Asbesti sisaldavate materjalide töötlemine on lubatud vaid asjaomase kvalifikatsiooniga isikutel.
- ▶ Ärge viige käsi tooriku alla!
- ▶ Ärge kunagi hoidke saetavat toorikut käes ega põlve peal! Kinnitage toorik stabiilsele aluspinnale.
- ▶ Hoidke seadet alati ettenähtud käepidemetest kahe käega kinni ja viige oma käsivarred asendisse, milles saate tagasilöögi jõudele vastu astuda.
- ▶ Hoidke käepidemed kuivad ja puhtad.
- ▶ Paiknege alati saeketta kõrval. Ärge olge kunagi saekettaga ühel joonel! Tagasilöögi korral võib seade tahapoole viskuda!
- ▶ Kui saeketas kinni kiilub või kui te töö katkestate, lülitage saag alati välja ja hoidke saagi paigal seni, kuni saeketas on täielikult seiskunud. Ärge kunagi püüdke saagi toorikust eemaldada või tagasi tõmmata, kui saeketas veel pöörleb – võib tekkida tagasilööök!
- ▶ Kui soovite saagi, mille saeketas on toorikus, uuesti käivitada, tsentreerige saeketas löikejäljes ja veenduge, et saehambad ei ole toorikusse haakunud.
- ▶ Eriti ettevaatlik tuleb olla lõigete tegemisel seinu või teistesse varjatud piirkondadesse. Uputatav saeketas võib varjatud objektidesse kinni kiiluda ja põhjustada tagasilöögi.

#### Elektriohutus

- ▶ Enne töö algust kontrollige tööpiirkond üle ja veenduge, et seal ei ole varjatud elektrijuhtmeid, gaasi- ega veetorusid. Seadme välised metallosad võivad elektrijuhtme vigastamise korral tekitada elektrilöögi.



- ▶ Kui teete töid, mille puhul võib tarvik tabada varjatud elektrijuhtmeid, hoidke seadet isoleeritud haardepinnast. Kokkupuude pingestatud elektrijuhtmega võib seada pinge alla ka seadme metalldetailid ja põhjustada elektrilöögi.

### Elektriliste tööriistade hoolikas käsitlemine ja kasutamine

- ▶ Ärge kasutage nürisid ega kahjustatud saekettaid! Need põhjustavad suurema hõõrdumise, kinnikiilumise või tagasilöögi.
- ▶ Järgige tootja juhiseid saeketaste käsitlemise ja hoidmise kohta.
- ▶ Seade tuleb suruda survetallaga vastu töödeldavat toorikut. See tagab optimaalse ja ohutu töö.
- ▶ Kaitske ennast kuumade laastude eest sobiva kaitserõivastusega.

## 2.4 Täiendavad ohutusnõuded

- ▶ Kasutage toodet ainult siis, kui selle tehniline seisukord on veatu.
- ▶ Ärge kunagi muutke ega modifitseerige seadet.
- ▶ Ärge kasutage nürisid ega kahjustatud saekettaid! Need põhjustavad suurema hõõrdumise, kinnikiilumise või tagasilöögi.
- ▶ Enne töö algust kontrollige tööpiirkond üle ja veenduge, et seal ei ole varjatud elektrijuhtmeid, gaasi- ega veetorusid. Seadme välised metallosad võivad elektrijuhtme vigastamise korral tekitada elektrilöögi.
- ▶ Kinnitage toorik stabiilsele aluspinnale. Ärge kunagi hoidke saetavat toorikut käes ega põlve peal!
- ▶ Lülitage seade sisse alles selle tööasendis.
- ▶ Töötades juhtige seadet alati suunaga kehast eemale.
- ▶ Töötage mõõduka surve ja sobiva löikekiirusega, seda eelkõige suure läbimõõduga torude korral. See hoiab ära seadme ülekuumenemise.
- ▶ Enne torujuhtmete läbilõikamist, veenduge, et torud ei sisalda vedelikku. Vajaduse korral eemaldage vedelik.
- ▶ Torujuhtmete läbisaagimisel hoidke seadet lõigatavast torust kõrgemal.
  - ↳ Seade ei ole kaitstud niiskuse sissetungimise eest. Väljavoolav vedelik võib põhjustada seadmes lühise.
- ▶ Ärge kunagi lõigake tundmatut pinda, samuti veenduge, et löikejoon oleks nii pealt kui ka alt takistusteta.
  - ↳ Esemega kokku puutuv saeketas võib põhjustada seadme tagasilöögi.
- ▶ Kandke ka tarvikut vahetades kaitsekindaid! Tarviku puudutamine võib tekitada löikehaavu ja põletusi.
- ▶ Kasutusvälisel ajal, enne seadme hooldamist, tarvikute vahetamist ja transportimist eemaldage aku.
- ▶ Seadme ladustamisel ja transportimisel aktiveerige transpordikaitse.
- ▶ Järgige tootja juhiseid saeketaste käsitlemise ja hoidmise kohta.
- ▶ Kasutaja ja läheduses viibivad isikud peavad seadme kasutamisel ja tõrgete kõrvaldamisel kandma sobivaid kaitseprille, kaitsekiivrit, kuulmiskaitsevahendeid, kaitsekindaid ja kergest hingamisteede kaitsemaski.
- ▶ Kasutage alati piisava pikkusega saeketast. Saeketas peab ulatuma käigu väitel kogu aeg üle tooriku.
- ▶ Töötades tehke pause ning lõdvestage ja liigutage oma sõrmi, et parandada sõrmede verevarustust.
- ▶ Ärge vaadake otse valgusallikasse (LED) ja ärge suunake valgust teiste inimeste näkku. Esineb pimestamise oht.
- ▶ Materjalist väljalendavad killud võivad tekitada keha- ja silmavigastusi. Kandke isikukaitsevahendeid ja alati kaitseprille ja kaitsekindaid.
- ▶ Läbistavate tööde korral ümbritsege kaitsepiiridega töödeldava koha taha jääv ala.

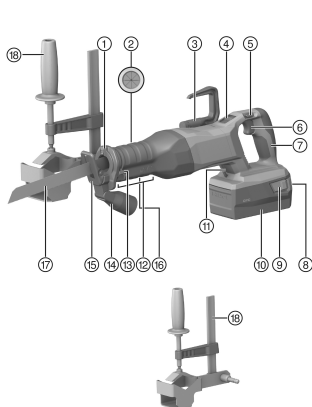
## 2.5 Akude hoolikas käsitlemine ja kasutamine

- ▶ Järgige liitiumioonakude veo, ladustamise ja käsitlemise suhtes kehtivaid erinõudeid.
- ▶ Kaitske akusid kõrgete temperatuuride, otsese päikesekiirguse ja tule eest.
- ▶ Akusid ei tohi lahti võtta, muljuda, kuumutada üle 80 °C ega põletada.
- ▶ Ärge kasutage ega laadige akusid, mis on saanud löögi, kukkunud kõrgemalt kui üks meeter või muul viisil vigastada saanud. Võtke sellisel juhul alati ühendust **Hilti hooldekeskusega**.
- ▶ Kui aku on nii kuum, et seda ei saa puudutada, võib aku olla defektnine. Asetage aku tulekindlasse kohta nii, et see jääb süttivatest materjalidest piisavalt kaugemale ja et seda saaks jälgida, ning laske ajal jahtuda. Võtke sellisel juhul alati ühendust **Hilti hooldekeskusega**.



### 3 Kirjeldus

#### 3.1 Toote ülevaade



- ① Tarvikukinnitus
- ② Lõikeadapteri kinnituskoht
- ③ Kokkupandav tellingukonks
- ④ Pöörlemiskiirus
- ⑤ Transpordikaitse
- ⑥ Juhtlüli
- ⑦ Tagakäepide
- ⑧ Aku laetuse astme näit
- ⑨ Aku vabastusnupp
- ⑩ Aku
- ⑪ Lukustusaa
- ⑫ Käepideme eesmine osa
- ⑬ Saelehe vabastamise hoob
- ⑭ Tolmueemaldusliitmik (USA: lisatarvik)
- ⑮ Surutald
- ⑯ Surutalla vabastusnupp
- ⑰ Saeleht
- ⑱ Lõikeadapter (lisatarvik)

#### 3.2 Nõuetekohane kasutamine

Kirjeldatud toode on akutoitega saabelsaag. See on ette nähtud puidu, puidusarnaste materjalide, metalli ja plasti lõikamiseks.

Seadme kasutamisel tuleb seadet hoida kahe käega.

- ▶ Selle toote jaoks kasutage vaid B 36 tüüpi **Hilti** liitiumioonakusid.
- ▶ Nende akude laadimiseks kasutage üksnes **Hilti** C4/36-seeria laadimisestmeid.

#### 3.3 Võimalik väärkasutus

- ▶ Ärge lõigake tellist, betooni, gaasbetooni, looduskivi ega keraamilisi plaate.
- ▶ Ärge lõigake seadmega torusid, milles on vedelikku.
- ▶ Ärge saagige tundmatuid pindu.

#### 3.4 Liitiumioonaku näidik

Liitiumioonaku laetuse taset ja seadme häireid signaliseeritakse liitiumioonaku näidiku abil. Liitiumioonaku laetuse taset näete, kui vajutate ühele kahest aku vabastusnupust.

Seisund	Tähendus
4 LED-tuld põlevad.	Laetuse tase: 75% kuni 100%
3 LED-tuld põlevad.	Laetuse tase: 50% kuni 75%
2 LED-tuld põlevad.	Laetuse tase: 25% kuni 50%
1 LED-tuli põleb.	Laetuse tase: 10% kuni 25%
1 LED-tuli vilgub.	Laetuse tase: < 10%
1 LED-tuli vilgub, seade ei ole töövalmis.	Aku on üle kuumenenud või täielikult tühjenenud.
4 LED-tuld vilguvad, seade ei ole töövalmis.	Seade on üle koormatud või üle kuumenenud.

Aku laetuse taset ei saa lugeda ajal, mil juhtlüli on alla vajutatud, ja kuni 5 sekundi vältel pärast juhtlüli vabastamist.

Kui aku laetuse taseme indikaatori LED-tuled vilguvad, tegutsege vastavalt punktis „Abi tõrgete puhul“ toodud juhiste.



### 3.5 Tarnekomplekt

Saabelsaag, kasutusjuhend.

Teised tööriistaga kasutada lubatud süsteemitooted leiata **Hilti Store** müügiesindusest või veebilehelt: [www.hilti.group](http://www.hilti.group).

## 4 Tehnilised andmed

	SR 30-A36
Nimipinge	36 V
Kaal EPTA-Procedure 01 kohaselt	5,2 kg
Käigusagedus (Samm 1)	2 000 p/min
Käigusagedus (Samm 2)	2 800 p/min
Käigu pikkus	32 mm
Tarvikukinnitus	0,5 in
Ümbritseva keskkonna temperatuur töötamise ajal	-17 °C ... 60 °C
Hoiutemperatuur	-20 °C ... 70 °C

### 4.1 Andmed müra ja vibratsiooni kohta vastavalt standardile EN 62841

Käesolevas juhendis märgitud helirõhu- ja vibratsioonitase on mõõdetud standarditud mõõtemeetodil ja seda saab kasutada elektriliste tööriistade omavaheliseks võrdlemiseks. See sobib ka vibratsiooni- ja mürataseme esialgseks hindamiseks.

Toodud näitajad iseloomustavad elektrilise tööriista põhilisi ettenähtud töid. Kui aga elektrilist tööriista kasutatakse muul otstarbel, teiste tarvikutega või kui tööriista on ebapiisavalt hooldatud, võivad näitajad käesolevas juhendis toodud näitajatest kõrvale kalduda. See võib vibratsiooni- ja mürataset töötamise koguperioodil tunduvalt suurendada.

Ekspositsiooni täpseks hindamiseks tuleb arvesse võtta ka aega, mil seade oli välja lülitatud või küll sisse lülitatud, kuid tegelikult tööle rakendamata. See võib vibratsiooni- ja mürataset töö koguperioodi lõikes tunduvalt vähendada.

Kasutaja kaitseks müra ja/või vibratsiooni eest võtke tarvitusele täiendavaid kaitsemeetmeid, näiteks: hooldage elektrilist tööriista ja tarvikuid korralikult, hoidke käed soojad, tagage sujuv töökorraldus.

#### Teave müra kohta

	SR 30-A36
Helivõimsustase ( $L_{WA}$ )	96 dB(A)
Helivõimsustaseme mõõtemääramatus ( $K_{WA}$ )	5 dB(A)
Helirõhutase ( $L_{pA}$ )	85 dB(A)
Helirõhutaseme mõõtemääramatus ( $K_{pA}$ )	5 dB(A)

#### Vibratsioonitase

	SR 30-A36
Vibratsioonitase laastplaatide saagimisel ( $a_{h, B}$ )	22,5 m/s <sup>2</sup>
Mõõtemääramatus laastplaatide saagimisel (K)	3,7 m/s <sup>2</sup>
Vibratsioonitase puitprusside saagimisel ( $a_{h, WB}$ )	20,5 m/s <sup>2</sup>
Mõõtemääramatus puitprusside saagimisel (K)	3,3 m/s <sup>2</sup>

### 4.2 Aku

Aku tööpinge	36 V
Ümbritseva keskkonna temperatuur töötamise ajal	-17 °C ... 60 °C
Hoiutemperatuur	-20 °C ... 40 °C
Aku temperatuur laadimise alguses	-10 °C ... 45 °C





## 5 Töö ettevalmistamine

### ETTEVAATUST

#### Vigastuste oht soovimatu käivitumise tõttu!

- ▶ Enne aku paigaldamist veenduge, et selle juurde kuuluv seade on välja lülitatud.
- ▶ Enne seadme seadistamist ja tarvikute vahetamist eemaldage seadmest aku.

Järgige kasutusjuhendis esitatud ja tootele märgitud ohutusnõudeid ja hoiatusi.

### 5.1 Aku laadimine

1. Enne laadimist lugege laadimiseadme kasutusjuhendit.
2. Veenduge, et aku ja laadimiseadme kontaktid on puhtad ja kuivad.
3. Laadige akut selleks ettenähtud laadimiseseadmega.

### 5.2 Aku paigaldamine

#### ETTEVAATUST

#### Vigastuste oht lühise või allakukkunud aku tõttu!

- ▶ Enne aku paigaldamist veenduge, et aku ja seadme kontaktidel ei ole võõrkehasid.
- ▶ Veenduge, et aku fikseerub alati korrektselt kohale.

1. Enne esmakordset kasutamist laadige aku täiesti täis.
2. Asetage aku seadme hoidikusse, nii et fikseerub kuuldavalt kohale.
3. Kontrollige aku kindlat kinnitumist.

### 5.3 Aku eemaldamine

1. Vajutage aku vabastusnuppudele.
2. Tõmmake aku seadmehoidikust välja.

### 5.4 Tellingukonksu paigaldamine (lisatarvik)

1. Aktiveerige transpordikaitse.
2. Paigaldage tellingukonks.

### 5.5 Saelehe paigaldamine



Kasutage ainult 1/2"-sabaga saelehti.

1. Aktiveerige transpordikaitse või eemaldage seadmest aku.
2. Kontrollige, kas tarviku saba on puhas ja kergelt määritud. Vajaduse korral puhastage ja määrige seda.
3. Lükake lukustushoob lõpuni üles ja hoidke seda selles asendis.
4. Suruge saeleht eest tarvikukinnitusse.
5. Laske lukustushooval tagasi libiseda.
6. Tõmmake saelehest, et kontrollida, kas see on kindlalt kohale fikseerunud.

### 5.6 Tolmueemaldusliitmiku paigaldamine (USA: lisatarvik)

1. Tõmmake surutald välja.
2. Asetage tolmueemaldusliitmik surutallale.
3. Viige kergelt määritud surutald täies ulatuses juhtsoonde.



## 6 Käsitsemine

---

### ETTEVAATUST

#### **Vigastuste oht lühise või allakukkunud aku tõttu!**

- ▶ Enne aku paigaldamist veenduge, et aku ja seadme kontaktidel ei ole võõrkehaid.
  - ▶ Veenduge, et aku fikseerub alati korrektselt kohale.
- 

Järgige kasutusjuhendis esitatud ja tootele märgitud ohutusnõudeid ja hoiatusi.

### 6.1 Sae juhtimine

1. Hoidke saagi ettenähtud käepidemetest.
2. Viige saag vastu toorikut.
3. Liigutage saagi edasi-tagasi.
  - ↳ Kui surute saagi vastu toorikut, võib saeleht puruneda ja tekitada kahjustusi.

### 6.2 Saagimine

### HOIATUS

#### **Katkisest tellingukonksust tingitud vigastuste oht!** Allakukkuv tööriist võib Teid ja teisi inimesi vigastada.

- ▶ Veenduge enne töö algust, et tellingukonks on kindlalt kinni ega ole kahjustada saanud.
- 

1. Inaktiveerige transpordikaitse ja vajutage juhtlülile.
  - ↳ Joonistelt leiate eri võimalused, kuidas saagi tõhusalt juhtida.
2. Kui olete saagimise lõpetanud, vabastage juhtlüli.
3. Aktiveerige transpordikaitse.

### 6.3 Saelehe eemaldamine

### ETTEVAATUST

#### **Vigastuste oht!** Tarvik võib olla kuum ja/või teravate servadega.

- ▶ Tarviku vahetamisel kandke kaitsekindaid.
  - ▶ Ärge asetage kuuma tarvikut tuleohtlikule aluspinnale.
- 

1. Aktiveerige transpordikaitse või eemaldage seadmest aku.
2. Lükake lukustushoob lõpuni üles ja hoidke seda selles asendis.
3. Tõmmake saeleht suunaga ette tarvikukinnitusest välja.
4. Laske lukustushooval tagasi libiseda.

## 7 Hooldus ja korrashoid

---

### HOIATUS

#### **Vigastuste oht paigaldatud aku korral !**

- ▶ Enne mis tahes hooldus- ja korrashoiutöid eemaldage seadmest aku!
- 

#### **Seadme hooldamine**

- Eemaldage kõvasti kinni olev mustus ettevaatlikult.
- Puhastage ventilatsiooniasendid ettevaatlikult kuiva harjaga.
- Puhastage korpust kergelt niiske lapiga. Ärge kasutage silikooni sisaldavaid hooldusvahendeid, sest need võivad kahjustada seadme plastdetaili.
- Puhastage ja määrige tarvikukinnitust regulaarselt väljastpoolt. Selleks kasutage **Hilti** aerosooli 314648.

#### **Liitiumioonakude hooldus**

- Hoidke aku puhas ja vaba õlist ja rasvast.
- Puhastage korpust kergelt niiske lapiga. Ärge kasutage silikooni sisaldavaid hooldusvahendeid, sest need võivad kahjustada seadme plastdetaili.
- Vältige vedeliku sissetungimist.

#### **Korrashoid**

- Kontrollige regulaarselt, kas kõik nähtavad osad on terved ja kas juhtelemendid toimivad veatult.



- Kahjustuste ja/või tõrgete korral ei tohi seadet kasutada. Laske tööriist kohe **Hilti** hooldekeskuses parandada.
- Pärast hooldus- ja korrashoiutõid paigaldage kõik kaitseseadised ja kontrollige nende toimivust.



Tööohutuse tagamiseks kasutage ainult originaalvaruosi ja -materjale. Teie tootega sobivaid ja meie poolt heakskiidetud varuosad, materjalid ja tarvikud leiate kauplusest **Hilti Store** või veebilehelt: [www.hilti.group](http://www.hilti.group).

## 7.1 Surutalla väljavahetamine



Surutalda saab vajaduse korral välja vahetada.

1. Eemaldage aku.
2. Eemaldage saeleht. → Lehekülg 76
3. Vajutage surutalla punasele vabastusklahvile saabelsae alumisel küljel.
4. Tõmmake surutald välja.
5. Vajutage surutalla punasele vabastusklahvile saabelsae alumisel küljel.
6. Viige kergelt määritud surutald täies ulatuses juhtsoonde.
7. Kontrollige, kas surutald on kohale fikseerunud.

## 8 Akutööriistade transport ja ladustamine

### Transport



#### ETTEVAATUST

**Soovimatu käivitumine transportimisel !**

- ▶ Transportige tooteid ilma akudeta!
- ▶ Eemaldage akud.
- ▶ Ärge kunagi transportige akusid lahtiselt.
- ▶ Pärast pikemat transporti kontrollige, kas tööriist või akud on saanud vigastusi.

### Ladustamine



#### ETTEVAATUST

**Defektsed akud või lekkivad akud võivad tekitada vigastusi !**

- ▶ Kasutusvälisel ajal eemaldage seadmest aku!
- ▶ Hoidke seadet ja akusid võimalikult jahedas ja kuivas kohas.
- ▶ Ärge hoidke akusid kunagi päikese käes, küttekeha peal ega aknalal.
- ▶ Hoidke seadet ja akusid lastele ja kõrvalistele isikutele ligipääsmatus kohas.
- ▶ Pärast pikemaajalist ladustamist kontrollige, kas tööriist või akud on saanud vigastusi.

## 9 Abi tõrgete puhul

Kui peaks esinema tõrge, mida ei ole järgmises tabelis nimetatud või mida Te ei suuda ise kõrvaldada, pöörduge **Hilti** hooldekeskusesse.

### 9.1 Saabelsag ei ole töövalmis

Tõrge	Võimalik põhjus	Lahendus
Seade ei käivitu.	Aku ei ole täielikult sisse pandud.	▶ Laske akul klõpsuga kohale fikseeruda.
	Aku on tühi.	▶ Laadige akut.
	Transpordikaitse ei ole aktiveeritud.	▶ Aktiveerige transpordikaitse.
Saetera ei saa tarvikukinnitusest eemaldada.	Lukustushoob ei ole lõpuni sisse vajutatud.	▶ Suruge lukustushoob lõpuni ja võtke saeketas välja.



Tõrge	Võimalik põhjus	Lahendus
Saetera ei saa tarvikukinnitusest eemaldada.	Saepuru on tarvikukinnituse ummistanud.	▶ Eemaldage saepuru ja puhastage tarvikukinnitust regulaarselt väljastpoolt. Seadme hooldus. → Lehekülg 76

## 9.2 Saabelsaag on töövalmis

Tõrge	Võimalik põhjus	Lahendus
Seade ei tööta täisvõimsusel.	Juhtlüli ei ole lõpuni sisse vajutatud	▶ Vajutage juhtlüli lõpuni alla.
	Aku on tühi	▶ Vahetage aku välja ja laadige tühi aku täis.
Saetera ei saa tarvikukinnitusest eemaldada.	Lukustushoob ei ole lõpuni sisse vajutatud.	▶ Suruge lukustushoob lõpuni ja võtke saeketas välja.

## 10 Utiliseerimine

**Hilti** seadmed on suures osas valmistatud taaskasutatavatest materjalidest. Taaskasutuse eelduseks on materjalide korralik sorteerimine. Paljudes riikides kogub **Hilti** kasutusressursi ammendanud seadmed kokku. Lisateavet saate **Hilti** müügiesindusest.

### Akude utiliseerimine

Asjatundmatu käitlemise korral võib akudest eralduda terviseohtlikke gaase või vedelikke.

- ▶ Ärge saatke kahjustada saanud akusid posti teel!
- ▶ Lühise vältimiseks katke akukontaktid elektrit mittejuhtiva materjaliga.
- ▶ Käideldel akusid nii, et need ei satu laste kätte.
- ▶ Utiliseerige aku **Hilti Store** esinduses või pöörduge asjaomase jäätmekäitlusettevõtte poole.



- ▶ Ärge visake kasutusressursi ammendanud elektrilisi tööriistu, elektroonikaseadmeid ja akusid olmejäätmete hulka!

## 11 RoHS (direktiiv ohtlike ainete kasutamise piirangute kohta)

Järgmiselt lingilt leiata ohtlike ainete tabeli: [qr.hilti.com/r5962277](http://qr.hilti.com/r5962277).

RoHS-tabeli juurde viiva lingi leiata käesoleva dokumendi lõpust QR-koodina.

## 12 Tootja garantii

- ▶ Kui Teil on küsimusi garantiitingimuste kohta, pöörduge **Hilti** müügiesindusse.



## 1 Informācija par dokumentāciju

### 1.1 Par šo dokumentāciju

- Pirms ekspluatācijas sākšanas obligāti izlasiet šo dokumentāciju. Tas ir priekšnoteikums darba drošībai un izstrādājuma lietošanai bez traucējumiem.
- Ievērojiet drošības norādījumus un brīdinājumus, kas atrodami šajā dokumentācijā un uz izstrādājuma.
- Vienmēr glabājiet lietošanas instrukciju izstrādājuma tuvumā un nododiet to kopā ar izstrādājumu, ja tas tiek nodots citām personām.

### 1.2 Apzīmējumu skaidrojums

#### 1.2.1 Brīdinājumi

Brīdinājumi pievērš uzmanību bīstamībai, kas pastāv, strādājot ar izstrādājumu. Tiek lietoti šādi signālvārdi:



**BĪSTAMI!**

**BĪSTAMI! !**

- ▶ Pievērš uzmanību draudošām briesmām, kas var izraisīt smagus miesas bojājumus vai nāvi.



**BRĪDINĀJUMS!**

**BRĪDINĀJUMS! !**

- ▶ Pievērš uzmanību iespējamam apdraudējumam, kas var izraisīt smagas traumas vai pat nāvi.



**IEVĒROT PIESARDZĪBU!**

**UZMANĪBU! !**

- ▶ Norāda uz iespējami bīstamām situācijām, kas var izraisīt vieglas traumas vai materiālos zaudējumus.

#### 1.2.2 Dokumentācijā lietotie simboli

Šajā dokumentācijā tiek lietoti šādi simboli:



Pirms lietošanas izlasiet instrukciju



Norādījumi par lietošanu un cita noderīga informācija



Rīcība ar otrreiz pārstrādājamiem materiāliem



Neizmetiet elektroiekārtas un akumulatorus sadzīves atkritumos.

#### 1.2.3 Attēlos lietotie simboli

Attēlos tiek lietoti šādi simboli:



Šie skaitļi norāda uz attiecīgajiem attēliem, kas atrodami šīs instrukcijas sākumā.



Numerācija attēlos atbilst veicamo darbību secībai un var atšķirties no darbību apraksta tekstā.



Pozīciju numuri tiek lietoti attēlā **Pārskats** un norāda uz leģendas numuriem sadaļā **Izstrādājuma pārskats**.



Šī simbola uzdevums ir pievērst īpašu uzmanību izstrādājuma lietošanas laikā.

### 1.3 Simboli atkarībā no izstrādājuma

#### 1.3.1 Simboli uz izstrādājuma

Uz izstrādājuma var tikt lietoti šādi simboli:



Līdzstrāva



$n_0$	Gājienu skaits tukšgaitā
	Bezvadu datu pārnese
Li-Ion	Litija jonu akumulators
	Lietojamā <b>Hilti</b> litija jonu akumulatoru sērija. Ņemiet vērā informāciju, kas iekļauta nodaļā <b>Nosacījumiem atbilstīga lietošana</b> .

#### 1.4 Izstrādājuma informācija

**HILTI** izstrādājumi ir paredzēti profesionāliem lietotājiem, un to darbināšanu, apkopi un tehniskā stāvokļa uzturēšanu drīkst veikt tikai kvalificēts, atbilstīgi apmācīts personāls. Personālam ir jābūt labi informētam par iespējamajiem riskiem, kas var rasties darba laikā. Izstrādājums un tā papildaprīkojums var radīt bīstamas situācijas, ja to uztic neprofesionālam personālam vai nelieto atbilstīgi nosacījumiem.

Iekārtas tipa apzīmējums un sērijas numurs ir norādīti uz identifikācijas datu plāksnītes.

- ▶ Ierakstiet sērijas numuru zemāk redzamajā tabulā. Izstrādājuma dati jānorāda, vēršoties mūsu pārštāvēniecībā vai servisā.

##### Izstrādājuma dati

Zobenzāģis	SR 30-A36
Paaudze	01
Sērijas Nr.	

#### 1.5 Atbilstības deklarācija

Uzņemoties pilnu atbildību, mēs apliecinām, ka šeit aprakstītais izstrādājums atbilst šādām direktīvām un standartiem: Atbilstības deklarācijas attēls ir ietradams šīs dokumentācijas beigās.

Tehniskā dokumentācija ir saglabāta šeit:

Hilti Entwicklungsgesellschaft mbH | Zulassung Geräte | Hiltistraße 6 | 86916 Kaufering, DE

## 2 Drošība

### 2.1 Vispārīgi drošības norādījumi par darbu ar elektroiekārtām

**⚠ BRĪDINĀJUMS!** Iepazīstieties ar visiem drošības norādījumiem, instrukcijām, attēliem un tehniskajiem parametriem, kas attiecas uz šo elektroiekārtu. Turpmāk izklāstīto instrukciju neievērošana var izraisīt elektrošoku, ugunsgrēku un/vai nopietnas traumas.

**Saglabājiet visus drošības norādījumus un instrukcijas turpmākai lietošanai.**

Drošības norādījumos lietotais apzīmējums "elektroiekārta" attiecas uz iekārtām ar tīkla barošanu (ar barošanas kabeli) vai iekārtām ar barošanu no akumulatora (bez kabeļa).

#### Drošība darba vietā

- ▶ **Uzturiet darba vietā tīrību un kārtību un nodrošiniet labu apgaismojumu.** Nekārtīgā darba vietā vai sliktā apgaismojumā var viegli notikt nelaimes gadījums.
- ▶ **Nestrādājiet ar elektroiekārtu sprādzienbīstamā vidē, kur atrodas uzliesmojoši šķidrumi, gāzes vai putekļi.** Darbības laikā elektroiekārtas mēdz dzirksteļot, un tas var izraisīt viegli uzliesmojošu putekļu vai tvaiku aizdegšanos.
- ▶ **Lietojot elektroiekārtu, neļaujiet nepiederošām personām un jo īpaši bērniem tuvoties darba vietai.** Citu personu klātbūtne var novērst uzmanību, un tā rezultātā jūs varat zaudēt kontroli pār iekārtu.

#### Elektrodrošība

- ▶ **Elektroiekārtas kontaktdakšai jāatbilst elektrotīkla kontaktligzdai. Kontaktdakšas konstrukciju nedrīkst nekādā veidā mainīt. Kopā ar elektroiekārtām, kurām ir aizsargzemējums, nedrīkst lietot adapteru spraudņus.** Neizmainītas konstrukcijas kontaktdakša, kas atbilst kontaktligzdai, ļauj samazināt elektrošoka risku.
- ▶ **Darba laikā nepieskarieties saņemtiem priekšmetiem, piemēram, caurulēm, radiatoriem, plītiem vai ledusskapjiem.** Pieskaroties saņemtiem virsmām, pieaug risks saņemt elektrisko triecienu.
- ▶ **Nelietojiet elektroiekārtu lietus laikā, neturiet to mitrumā.** Mitrumam iekļūstot elektroiekārtā, pieaug risks saņemt elektrisko triecienu.



- ▶ **Nenesiet un nepakariniet elektroiekārtu aiz barošanas kabeļa un neraujiet aiz kabeļa, ja vēlaties atvienot iekārtu no elektrotīkla kontaktligzdas. Sargājiet barošanas kabeli no karstuma, eļļas, asām šķautnēm vai kustīgām detaļām.** Bojāts vai sapīņķerējis barošanas kabelis var kļūt par cēloni elektrošokam.
- ▶ **Darbinot elektroiekārtu ārpus telpām, izmantojiet tās pievienošanai vienīgi tādus pagarinātāja-kabeļus, kas ir paredzēti lietošanai brīvā dabā.** Lietojot elektrokabeļi, kas ir piemērots darbam ārpus telpām, samazinās elektrošoka risks.
- ▶ **Ja elektroiekārtas izmantošana slāpā vidē ir obligāti nepieciešama, lietojiet bojājumstrāvas aizsargslēdzi.** Bojājumstrāvas aizsargslēdža lietošana samazina elektrošoka risku.

#### Personiskā drošība

- ▶ **Strādājiet ar elektroiekārtu uzmanīgi, darba laikā saglabājiet paškontroli un rīkojieties saskaņā ar veselo saprātu.** Ar elektroiekārtu nedrīkst strādāt personas, kas ir nogurušas vai atrodas narkotiku, alkohola vai medikamentu ietekmē. Mirklis neuzmanības, strādājot ar elektroiekārtu, var novest pie nopietnām traumām.
- ▶ **Izmantojiet individuālos aizsardzības līdzekļus un darba laikā vienmēr valkājiet aizsargbrilles.** Individuālo aizsardzības līdzekļu (putekļu aizsargmaskas, neslidošu apavu un aizsargķiveres vai ausu aizsargu) lietošana atbilstoši elektroiekārtas tipam un veicamā darba raksturam ļauj izvairīties no savainojumiem.
- ▶ **Nepieļaujiet iekārtas nekontrolētas ieslēgšanās iespēju.** Pirms pievienošanas elektrotīklam, akumulatora ievietošanas, elektroiekārtas satveršanas vai pārvietošanas pārliecinieties, ka tā ir izslēgta. Ja iekārtas pārvietošanas laikā pirksts atrodas uz slēdža vai ja ieslēgta iekārta tiek pievienota elektrotīklam, var notikt nelaimes gadījums.
- ▶ **Pirms elektroiekārtas ieslēgšanas jānoņem visi regulēšanas piederumi un uzgriežņu atslēgas.** Regulēšanas piederumi vai uzgriežņu atslēga, kas iekārtas ieslēgšanas brīdī atrodas iekārtā, var radīt traumas.
- ▶ **Izvairieties no nedabiskām pozām.** Darba laikā vienmēr saglabājiet līdzsvaru un nodrošinieties pret paslīdēšanu. Tas atvieglo elektroiekārtas vadību neparedzētās situācijās.
- ▶ **Izvēlieties darbam piemērotu apģērbu.** Darba laikā nenēsājiet brīvi plandošas drēbes un rotaslietas. Netuviniet matus, apģērbu un aizsargcimdus iekārtas kustīgajām daļām. Vaļīgas drēbes, rotaslietas un gari mati var ieķerties iekārtas kustīgajās daļās.
- ▶ **Ja elektroiekārtas konstrukcija ļauj pievienot putekļu nosūknēšanas vai savākšanas ierīci, sekojiet, lai tā būtu pievienota un tiktu darbināta pareizi.** Putekļu nosūcēja lietošana samazina putekļu kaitīgo ietekmi.
- ▶ **Nezaudējiet modrību un neatkāpieties no elektroiekārtu lietošanas drošības noteikumu ievērošanas arī tad, ja lietojat attiecīgo elektroiekārtu bieži un kārtīgi to pārzināt.** Neuzmanība vienā sekundes daļā var novest pie smagām traumām.

#### Elektroiekārtas lietošana un apkope

- ▶ **Nepārslodojiet elektroiekārtu.** Katram darbam izvēlieties piemērotu iekārtu. Elektroiekārta darbosies labāk un drošāk pie nominālās slodzes.
- ▶ **Nelietojiet elektroiekārtu, ja ir bojāts tās slēdzis.** Elektroiekārta, ko nevar ieslēgt un izslēgt, ir bīstama un nekavējoties jānodod remontā.
- ▶ **Pirms iestatījumu veikšanas, aprikojuma daļu nomaiņas vai iekārtas novietošanas uzglabāšanā atvienojiet kontaktdakšu no elektrotīkla un/vai noņemiet noņemamo akumulatoru.** Šādi jūs novērsīsit elektroiekārtas nejaušas ieslēgšanās risku.
- ▶ **Elektroiekārtu, kas netiek darbināta, uzglabājiet piemērotā vietā.** Neļaujiet lietot iekārtu personām, kas nav iepazinušās ar tās funkcijām un izlasījušas šo lietošanas instrukciju. Ja elektroiekārtu lieto nekompetentas personas, tas var apdraudēt cilvēku veselību.
- ▶ **Rūpīgi veiciet elektroiekārtu un to piederumu apkopi.** Pārbaudiet, vai kustīgās daļas darbojas bez traucējumiem un neķeras un vai kāda no daļām nav salauzta vai bojāta un tādējādi netraucē elektroiekārtas nevainojamu darbību. Raugieties, lai pirms iekārtas lietošanas tiktu nomainītas vai saremontētas bojātās daļas. Daudzi nelaimes gadījumi notiek tāpēc, ka elektroiekārtām nav nodrošināta pareiza apkope.
- ▶ **Griezējinstrumentiem vienmēr jābūt uzasinātiem un tīriem.** Rūpīgi kopti griezējinstrumenti ar asām šķautnēm retāk iestrēgst un ir vieglāk vadāmi.
- ▶ **Lietojiet elektroiekārtu, piederumus, maināmos instrumentus utt. saskaņā ar šiem norādījumiem.** Jāņem vērā arī konkrētie darba apstākļi un veicamās operācijas īpatnības. Elektroiekārtu lietošana citiem mērķiem, nekā to ir paredzējusi ražotājfirma, ir bīstama un var izraisīt neparedzamas sekas.
- ▶ **Raugieties, lai rokturu un satveršanas virsmas būtu sausas, tīras, nenotraipītas ar eļļu un smērvielām.** Ja rokturu vai satveršanas virsmas ir slišanas, nav iespējama droša elektroiekārtas vadība un kontrole neparedzamās situācijās.



**Ar akumulatoru darbināmas iekārtas lietošana un apkope**

- ▶ **Akumulatora uzlādei jālieto tikai ražotāja ieteiktie lādētāji.** Noteikta veida akumulatoriem paredzēts lādētājs kļūst ugunsbīstams, ja to izmanto ar cita veida akumulatoriem.
- ▶ **Izmantojiet elektroiekārtas barošanai tikai tai paredzētos akumulatorus.** Cita tipa akumulatoru lietošana var izraisīt iekārtas un/vai akumulatora aizdegšanos.
- ▶ **Laikā, kad akumulators ir atvienots no iekārtas, nepieļaujiet tā kontaktu saskaršanos ar saspaudēm, monētām, atslēgām, naglām, skrūvēm vai citiem nelieliem metāla priekšmetiem, kas varētu izraisīt issavienojumu.** Ja starp akumulatora kontaktiem rodas issavienojums, tas var sadegt vai kļūt par ugunsgrēka cēloni.
- ▶ **Nepareizi lietojot akumulatoru, no tā var izplūst šķidrums. Nepieļaujiet tā nokļūšanu uz ādas. Ja tas tomēr nejausi ir noticis, noskalojiet ar ūdeni. Ja šķidrums iekļūst acīs, izskalojiet acis un nekavējoties vērsieties pie ārsta.** No akumulatora izplūdušais šķidrums var izraisīt ādas kairinājumu vai apdegumus.
- ▶ **Nelietojiet bojātus vai modificētus akumulatorus.** Bojāti vai modificēti akumulatori var radīt neparedzamas situācijas un izraisīt ugunsgrēku, eksploziju vai traumas.
- ▶ **Nepakļaujiet akumulatoru uguns vai augstas temperatūras iedarbībai.** Uguns vai temperatūra virs 130 °C (265 °F) var izraisīt eksploziju.
- ▶ **Ievērojiet norādījumus par akumulatora lādēšanu un nekad nelādējiet akumulatoru vai ar akumulatoru darbināmo iekārtu ārpus lietošanas instrukcijā norādītā temperatūras diapazona.** Nepareiza lādēšana vai pieļaujamā temperatūras diapazona pārsniegšana var sabojāt akumulatoru un palielināt aizdegšanās risku.

**Serviss**

- ▶ **Uzdodiet elektroiekārtas remontu veikt tikai kvalificētam personālam, kas izmanto vienīgi oriģinālās rezerves daļas.** Tikai tā ir iespējams saglabāt iekārtas funkcionālo drošību.
- ▶ **Nekādā gadījumā neveiciet bojātu akumulatoru apkopi.** Jebkādas akumulatoru apkopes darbus drīkst veikt tikai ražotājs vai atbilstīgi pilnvarots klientu apkalpošanas dienests.

**2.2 Papildu drošības norādījumi par zāģēšanu ar asmens turpgaitas un atpakaļgaitas kustībām**

- ▶ **Ja darba laikā pastāv iespēja, ka instruments var nonākt saskarē ar apslēptiem elektriskajiem vadiem, vienmēr satveriet iekārtu aiz izolētajām rokturu virsmām.** Saskaroties ar spriegumam pieslēgtiem vadiem, spriegums tiek novadīts uz iekārtas metāla daļām, radot elektrošoka risku.
- ▶ **Nofiksējiet un nodrošiniet apstrādājamo priekšmetu ar skrūvspīļu palīdzību vai citā veidā uz stabilas pamatnes.** Ja jūs turat apstrādājamo priekšmetu ar roku vai piespiestu ķermenim, tas ir nestabils un var izraisīt kontroles zudumu.

**2.3 Papildu drošības norādījumi par zāģēšanu****Personiskā drošība**

- ▶ Raugieties, lai jūsu rokas neatrastos zāģēšanas zonā vai zāģa asmens tiešā tuvumā. Ar otru roku turiet iekārtu aiz papildu roktura vai motora korpusa. Ja abas rokas ir satvērušas iekārtu, tās nav iespējams savainot ar zāģa asmeni.
- ▶ Lietojiet izstrādājumu tikai tad, ja tas ir tehniski nevainojamā stāvoklī.
- ▶ Nekādā gadījumā neveiciet ar iekārtu neatļautas manipulācijas un nemēģiniet to pārveidot.
- ▶ Arī instrumenta maiņas laikā valkājiet aizsargcimdus. Saskare ar maināmo instrumentu var izraisīt grieztas traumas un apdegumus.
- ▶ Pirms darba sākšanas noskaidrojiet darba laikā radošos putekļu bīstamības kategoriju. Lietojiet celtniecības putekļsūcēju ar oficiālas sertifikācijas ietvaros piešķirtu drošības klasifikāciju, kas atbilst vietējiem putekļu ietekmes ierobežošanas normatīviem. Putekļi, ko rada tādi materiāli kā, piemēram, svīnu saturoša krāsa, daži koksnes veidi, betons / mūris / kvarcu saturoši akmeņi, minerāli un metāls, var būt kaitīgi veselībai.
- ▶ Nodrošiniet darba vietā labu ventilāciju un, ja nepieciešams, valkājiet elpceļu aizsargmasku, kas aizsargā pret attiecīgā veida putekļiem. Saskare ar šiem putekļiem vai to ieelpošana var izraisīt lietotāja vai citu tuvumā esošo personu alerģiskas reakcijas un/vai elpceļu saslimšanas. Azbestu saturošus materiālus drīkst apstrādāt tikai kompetenti speciālisti.
- ▶ Nesatveriet zāģējamo materiālu no apakšas.
- ▶ Nekādā gadījumā nemēģiniet pieturēt zāģējamo materiālu ar roku vai kāju. Nofiksējiet zāģējamo materiālu stabilā stiprinājumā.
- ▶ Vienmēr stingri turiet iekārtu ar abām rokām aiz šim nolūkam paredzētajiem rokturiem un novietojiet rokas tā, lai varētu droši reaģēt uz atsitienu radītajiem spēkiem.
- ▶ Raugieties, lai rokturi vienmēr būtu sausi un tīri.





- ▶ Vienmēr nostājieties nedaudz uz sāniem no zāga – tā, lai zāga asmens neatrastos uz vienas līnijas ar jūsu ķermeni. Atsitiena gadījumā zāģis var atlēkt atpakaļ.
- ▶ Ja zāga asmens iestrēgst vai darbu nepieciešams pārtraukt citu iemeslu dēļ, izslēdziet zāģi, turiet to mierīgi un nogaidiet, līdz zāga asmens kustība apstājas. Nekādā gadījumā nemēģiniet izvilkēt zāģi no materiāla vai pavilkēt atpakaļ, kamēr zāga asmens atrodas kustībā, jo tas var izraisīt atsitiena kustību.
- ▶ Ja vēlaties no jauna ieslēgt zāģi, kura asmens atrodas materiālā, nocentrējiet zāga asmeni zāģējuma rievā un pārbaudiet, vai zāga zobi nav iekērušies materiālā.
- ▶ Ievērojiet īpašu piesardzību, veicot zāģējumus sienās un citās nepāredzamās vietās. Iegremdētais zāga asmens var atdurties pret sienā esošiem objektiem un izraisīt atsitieni.

### Elektrodrošība

- ▶ Pirms darba sākšanas pārbaudiet, vai darba zonā neatrodas neseģti elektrības vadi, gāzes vai ūdensapgādes caurules. Nejaūsi sabojājot zem sprieguma esošus vadus, iekārtas ārējās metāla daļas var izraisīt elektrošoku.
- ▶ Ja darba laikā pastāv iespēja, ka instruments var nonākt saskarē ar aplsēptiem elektriskajiem vadiem, vienmēr satveriet iekārtu aiz izolētajām rokturu virsmām. Saskaroties ar spriegumam pieslēgtiem vadiem, spriegums tiek novadīts uz iekārtas metāla daļām, radot elektrošoka risku.

### Rūpīga elektroiekārtu lietošana un apkope

- ▶ Nedrīkst izmantot neasus vai bojātus zāga asmeņus. Tas palielina berzi, kā arī var izraisīt asmens iestrēgšanu vai atsitieni.
- ▶ Ievērojiet ražotāja norādījumus par zāga asmeņu lietošanu un uzglabāšanu.
- ▶ Iekārta ar piespiedējkurpi jāpiespiež pie zāģējamā materiāla. Tādējādi tiek nodrošināts optimāls un drošs darba process.
- ▶ Valkājiet piemērotu aizsargtērpu, kas pasargā jūs no karstām skaidām.

## 2.4 Papildnorādījumi par drošību

- ▶ Lietojiet izstrādājumu tikai tad, ja tas ir tehniski nevainojamā stāvoklī.
- ▶ Nekādā gadījumā neveiciet ar iekārtu neatļautas manipulācijas un nemēģiniet to pārveidot.
- ▶ Nedrīkst izmantot neasus vai bojātus zāga asmeņus. Tas palielina berzi, kā arī var izraisīt asmens iestrēgšanu vai atsitieni.
- ▶ Pirms darba sākšanas pārbaudiet, vai darba zonā neatrodas neseģti elektrības vadi, gāzes vai ūdensapgādes caurules. Nejaūsi sabojājot zem sprieguma esošus vadus, iekārtas ārējās metāla daļas var izraisīt elektrošoku.
- ▶ Nofiksējiet zāģējamo materiālu stabilā stiprinājumā. Nekādā gadījumā nemēģiniet pieturēt zāģējamo materiālu ar roku vai kāju.
- ▶ Ieslēdziet iekārtu tikai tad, kad tā atrodas darba pozīcijā.
- ▶ Darba laikā iekārta vienmēr jāvirza projām no sevis.
- ▶ Strādājiet ar mērenu piespiešanas spēku un piemērotu zāga kustības ātrumu, jo īpaši tad, ja zāģējamām caurulēm ir liels diametrs. Tas ļaus novērst iekārtas pārkaršanu.
- ▶ Pirms cauruļvadu pārzāģēšanas pārliecinieties, ka tajos vairs neatrodas nekādi šķidrumi. Ja nepieciešams, iztukšojiet tos.
- ▶ Cauruļvadu pārzāģēšanas laikā turiet iekārtu virs zāģējamā cauruļvada.
  - ↳ Iekārta nav pasargāta no mitruma iekļūšanas. Šķidruma ieplūšana var izraisīt iekārtā ūdensvairošumu.
- ▶ Nekad neveiciet zāģējumus nezināmās virsmās un nodrošiniet, lai zāģējuma trajektorijā ne augšpusē, ne apakšpusē neatrastos nekādi šķēršļi.
  - ↳ Ja zāga asmens atduras pret kādu priekšmetu, tas var izraisīt iekārtas atsitieni.
- ▶ Arī instrumenta maiņas laikā valkājiet aizsargcimdus. Saskare ar maināmo instrumentu var izraisīt grieztas traumas un apdegumus.
- ▶ Pirms iekārtas lietošanas pārtraukuma, apkopes, instrumenta maiņas un transportēšanas vienmēr izņemiet no iekārtas akumulatoru.
- ▶ Iekārtas uzglabāšanas un transportēšanas laikā jābūt aktivētam transporta drošinātājam.
- ▶ Ievērojiet ražotāja norādījumus par zāga asmeņu lietošanu un uzglabāšanu.
- ▶ Personām, kas uzturas iekārtas lietošanas vietas tuvumā, jāvalkā piemērotas aizsargbrilles, aizsargķivere, dzirdes aizsarglīdzekļi, aizsargcimdi un viegli elpceļu aizsardzības līdzekļi.
- ▶ Vienmēr lietojiet atbilstīga garuma zāga asmeni. Zāga asmenim visa gājiena laikā jābūt izvīrītam ārpus zāģējamā materiāla.
- ▶ Strādājiet ar pārtraukumiem, kā arī veiciet atslābināšanās un pirkstu vingrinājumus, kas uzlabo asinsriti.
- ▶ Neskatieties tieši apgaismojumā (LED) un nevērsiet to pret citu cilvēku seju. Pastāv apzīlbināšanas risks.



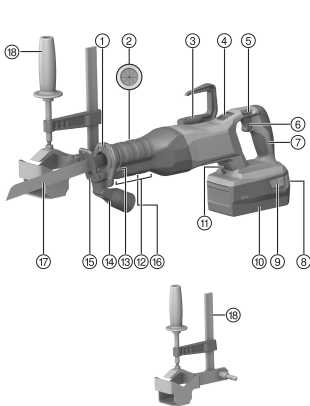
- ▶ Materiāla šķembas var savainot ķermeni un acis. Izmantojiet individuālos aizsardzības līdzekļus un vienmēr valkājiet aizsargbrilles un aizsargcimdus.
- ▶ Pirms laušanas vai urbšanas darbiem, kas šķērso būvkonstrukciju daļas, atbilstoši jānodrošina attiecīgās daļas pretējā puse.

## 2.5 Akumulatoru pareiza lietošana un apkope

- ▶ Ievērojiet īpašos norādījumus par litija jonu akumulatoru transportēšanu, uzglabāšanu un ekspluatāciju.
- ▶ Sargājiet akumulatorus no augstas temperatūras, tiešiem saules stariem un uguns.
- ▶ Akumulatorus nedrīkst izjaukt, saspiest, sakarsēt virs 80 °C vai sadedzināt.
- ▶ Nemēģiniet izmantot vai uzlādēt akumulatorus, kas bijuši pakļauti triecienam, krituši no vairāk nekā viena metra augstuma vai ir citā veidā bojāti. Šādā gadījumā vienmēr vēršieties savā **Hilti servisā**.
- ▶ Ja akumulators kļūst pārāk karsts, iespējams, ka tas ir bojāts. Novietojiet iekārtu pietiekamā attālumā no degošiem materiāliem, vietā, kur nevar notikt aizdegšanās un kur to iespējams pastāvīgi novērot, un ļaujiet tai atdzist. Šādā gadījumā vienmēr vēršieties savā **Hilti servisā**.

## 3 Apraksts

### 3.1 Izstrādājuma pārskats



- 1 Instrumenta stiprinājums
- 2 Griešanas adaptera stiprinājums
- 3 Atlokāms sastatņu āķis
- 4 Rotācijas ātruma izvēle
- 5 Transporta drošinātājs
- 6 Vadības slēdzis
- 7 Aizmugurējais rokturis
- 8 Akumulatora uzlādes statusa indikācija
- 9 Akumulatora atbloķēšanas taustiņš
- 10 Akumulators
- 11 Drošības cilpa
- 12 Priekšējā satveršanas zona
- 13 Svira zāģa asmens atbrīvošanai
- 14 Nosūcēja pieslēgums (ASV: papildaprīkojums)
- 15 Piespiedējkurpe
- 16 Piespiedējkurpes atbloķēšanas taustiņš
- 17 Zāģa asmens
- 18 Griešanas adapters (papildaprīkojums)

### 3.2 Nosacījumiem atbilstīga lietošana

Aprakstītais izstrādājums ir ar akumulatoru darbināms zobenzāģis. Tas ir paredzēts koka, kokam līdzīgu materiālu un metāla, kā arī plastmasas zāģēšanai.

Izstrādājums ir paredzēts lietošanai ar abām rokām.

- ▶ Lietojiet šī izstrādājuma barošanai tikai sērijas B 36 **Hilti** litija jonu akumulatorus.
- ▶ Lietojiet šo akumulatoru uzlādēšanai tikai **Hilti** sērijas C4/36 lādētājus.

### 3.3 Varbūtējā nepareizā lietošana

- ▶ Nezāģējiet ar iekārtu ķieģeļus, betonu, gāzbetonu, dabīgo akmeni vai flīzes.
- ▶ Nelietojiet izstrādājumu tādu cauruļvadu pārzāģēšanai, kuros atrodas šķidrums.
- ▶ Neveiciet zāģējumus nezināmās virsmās.

### 3.4 Litija jonu akumulatora indikācija

Par litija jonu akumulatora uzlādes līmeni un iekārtas darbības traucējumiem informē litija jonu akumulatora indikācija. Litija jonu akumulatora uzlādes līmeni iespējams apskatīties, īsi nospiežot vienu no akumulatora atbloķēšanas taustiņiem.



Stavuss	Nozīme
Deg 4 LED.	Uzlādes līmenis: no 75 % līdz 100 %
Deg 3 LED.	Uzlādes līmenis: no 50 % līdz 75 %
Deg 2 LED.	Uzlādes līmenis: no 25 % līdz 50 %
1 LED deg.	Uzlādes līmenis: no 10 % līdz 25 %
1 LED mirgo.	Uzlādes līmenis: < 10 %
1 LED mirgo, iekārta nav gatava darbam.	Akumulators ir pārkarsis vai pilnībā izlādējies.
4 LED mirgo, iekārta nav gatava darbam.	Iekārta ir pārslogota vai pārkarsusi.

**i** Ja ir nospiests vadības slēdzis, kā arī 5 sekunžu laikā pēc vadības slēdža atlaišanas nolasīt uzlādes līmeņa indikāciju nav iespējams.

Ja mirgo akumulatora indikācijas LED, lūdzu, sekojiet nodaļas "Traucējumu diagnostika" norādījumiem.

### 3.5 Piegādes komplektācija

Zobenzāģis, lietošanas instrukcija.

Citus šim izstrādājumam izmantojamus sistēmas produktus meklējiet **Hilti Store** vai tīmekļvietnē: [www.hilti.group](http://www.hilti.group).

## 4 Tehniskie parametri

	SR 30-A36
<b>Nominālais spriegums</b>	36 V
<b>Svars saskaņā ar EPTA procedūru 01</b>	5,2 kg
<b>Gājienu skaits (Pakāpe 1)</b>	2 000 apgr./min
<b>Gājienu skaits (Pakāpe 2)</b>	2 800 apgr./min
<b>Gājienu garums</b>	32 mm
<b>Instrumenta patrona</b>	0,5 in
<b>Apkārtējā temperatūra darbības laikā</b>	-17 °C ... 60 °C
<b>Uzglabāšanas temperatūra</b>	-20 °C ... 70 °C

### 4.1 Informācija par troksni un vibrāciju saskaņā ar EN 62841

Šajās instrukcijās norādītie lielumi, kas raksturo skaņas spiedienu un vibrāciju, ir noteikti ar standartizētas mērījumu metodes palīdzību, un tos var izmantot elektroiekārtu savstarpējai salīdzināšanai. Tos var izmantot arī trokšņa un vibrācijas iedarbības pagaidu novērtējumam.

Norādītie parametri attiecas uz elektroiekārtas galvenajiem lietošanas veidiem. Taču, ja elektroiekārta tiek izmantota citos nolūkos, ar citiem maināmajiem instrumentiem vai netiek nodrošināta pietiekama tās apkope, parametri var atšķirties no norādītajiem. Tas var ievērojami palielināt trokšņa un vibrācijas iedarbību visā darba laikā.

Lai precīzi novērtētu iedarbību, jāņem vērā arī laiks, cik ilgi iekārta ir izslēgta vai ir ieslēgta, taču faktiski netiek darbināta. Tas var būtiski samazināt iedarbību kopējā darba laikā.

Jāparedz papildu drošības pasākumi, lai aizsargātu iekārtas lietotāju pret trokšņa un/vai vibrācijas iedarbību, piemēram, elektroiekārtas un apkope, roku turēšana siltumā, darba procesu organizācija.

#### Informācija par troksni

	SR 30-A36
<b>Skaņas jaudas līmenis (<math>L_{WA}</math>)</b>	96 dB(A)
<b>Skaņas jaudas līmeņa pielaipe (<math>K_{WA}</math>)</b>	5 dB(A)
<b>Skaņas spiediena līmenis (<math>L_{pA}</math>)</b>	85 dB(A)
<b>Skaņas spiediena līmeņa pielaipe (<math>K_{pA}</math>)</b>	5 dB(A)



**Kopējie vibrācijas rādītāji**

	<b>SR 30-A36</b>
<b>Svārstību emisija, zāgējot skaidu plāksnes (<math>a_{h,B}</math>)</b>	22,5 m/s <sup>2</sup>
<b>Pielaide, zāgējot skaidu plāksnes (K)</b>	3,7 m/s <sup>2</sup>
<b>Svārstību emisija, zāgējot koka sijas (<math>a_{h,WB}</math>)</b>	20,5 m/s <sup>2</sup>
<b>Pielaide, zāgējot koka sijas (K)</b>	3,3 m/s <sup>2</sup>

**4.2 Akumulators**

<b>Akumulatora darba spriegums</b>	36 V
<b>Apkārtējā temperatūra darbības laikā</b>	-17 °C ... 60 °C
<b>Uzglabāšanas temperatūra</b>	-20 °C ... 40 °C
<b>Akumulatora temperatūra uzlādes sākumā</b>	-10 °C ... 45 °C

**5 Sagatavošanās darbam****⚠ IEVĒROT PIESARDZĪBU!**

**Traumu risks nejuaušas iedarbošanās gadījumā!**

- ▶ Pirms akumulatora ievietošanas pārliecinieties, ka attiecīgais izstrādājums ir izslēgts.
- ▶ Pirms iekārtas iestatīšanas vai piederumu nomaiņas izņemiet no iekārtas akumulatoru.

Ievērojiet drošības norādījumus un brīdinājumus, kas atrodami šajā dokumentācijā un uz izstrādājuma.

**5.1 Akumulatora uzlādēšana**

1. Pirms uzlādes sākšanas izlasiet lādētāja lietošanas instrukciju.
2. Raugieties, lai akumulatora un lādētāja kontaktu virsmas ir tīras un sausas.
3. Veiciet akumulatora uzlādi atbilstīgā lādētājā.

**5.2 Akumulatora ievietošana****⚠ IEVĒROT PIESARDZĪBU!**

**Traumu risks īssavienojuma vai akumulatora nokrišanas gadījumā!**

- ▶ Pirms akumulatora ievietošanas pārliecinieties, ka uz akumulatora un izstrādājuma kontaktiem neatrodas nekādi svešķermeņi.
- ▶ Pārbaudiet, vai akumulators ir droši nofiksēts.

1. Pirms pirmās lietošanas pilnībā uzlādējiet akumulatoru.
2. Ievietojiet akumulatoru iekārtas stiprinājumā, līdz tas dzirdami nofiksējas.
3. Pārbaudiet, vai akumulators ir droši nofiksēts.

**5.3 Akumulatora izņemšana**

1. Nospiediet akumulatora atbloķēšanas taustiņus.
2. Izvelciet akumulatoru no iekārtas turētāja.

**5.4 Jostas āķa (papildaprīkojums) montāža 2**

1. Aktivējiet transporta drošinātāju.
2. Piemontējiet sastatņu āķi.

**5.5 Zāga asmens ievietošana 3**

Lietojiet tikai zāga asmeņus ar 1/2" iesprauzamu galu.

1. Aktivējiet transporta drošinātāju vai atvienojiet no iekārtas akumulatoru.



2. Pirms ievietošanas stiprinājumā pārbaudiet, vai nofiksejamā instrumenta gals ir tīrs un viegli ieeļļots. Nepieciešamības gadījumā notīriet un ieeļļojiet to.
3. Līdz galam pabīdiet bloķēšanas sviru uz augšu turiet to šādā pozīcijā.
4. Virzienā uz priekšu iespiediet zāģa asmeni instrumenta stiprinājumā.
5. Ļaujiet bloķēšanas svirai slīdēt atpakaļ.
6. Pavelkot zāģa asmeni, pārbaudiet, vai tas ir kārtīgi nofiksejies.

## 5.6 Nosūcēja pieslēguma montāža (ASV: papildaprīkojums) 4

1. Izvelciet piespiedējkurpi.
2. Uzlieciet nosūcēja savienojumu uz piespiedējkurpes stiprinājuma.
3. Pilnībā iebīdiet nedaudz ieeļļotu piespiedējkurpi vadotnē.

## 6 Lietošana

### IEVĒROT PIESARDZĪBU!

#### Traumu risks īssavienojuma vai akumulatora nokrišanas gadījumā!

- ▶ Pirms akumulatora ievietošanas pārliecinieties, ka uz akumulatora un izstrādājuma kontaktiem neatrodas nekādi svešķermeņi.
- ▶ Pārbaudiet, vai akumulators ir droši nofiksejts.

Ievērojiet drošības norādījumus un brīdinājumus, kas atrodami šajā dokumentācijā un uz izstrādājuma.

### 6.1 Zāģa virzīšana 5

1. Turiet zāģi aiz šim nolūkam paredzētajiem rokturiem.
2. Piebīdiet zāģi pie apstrādājamās detaļas.
3. Virziet zāģi turp un atpakaļ.
  - ↳ Ja zāģis tiek spiests pie apstrādājamās detaļas, var zāģa asmens salūzt un izraisīt traumas.

### 6.2 Zāģēšana 6

#### BRĪDINĀJUMS!

#### Bojāts jostas āķis var izraisīt traumas! Iekārtas nokrišana var apdraudēt tās lietotāju un apkārtējos.

- ▶ Pirms darba sākšanas pārbaudiet, vai jostas āķis ir droši nostiprināts un nav bojāts.

1. Deaktivējiet transporta drošinātāju un nospiediet vadības slēdzi.
  - ↳ Attēlu daļā jūs varat apskatīt dažādas iespējas, kā virzīt zāģi efektīvi.
2. Kad zāģēšanas process ir pabeigts, atlaidiet vadības slēdzi.
3. Aktivējiet transporta drošinātāju.

### 6.3 Zāģa asmens izņemšana 7

#### IEVĒROT PIESARDZĪBU!

#### Traumu risks! Maināmais instruments var būt karsts un/vai ar asām malām.

- ▶ Darba instrumenta nomaiņas laikā valkājiet aizsargcimdus.
- ▶ Nekādā gadījumā nenovietojiet karstu maināmo instrumentu uz degoša materiāla virsmas.

1. Aktivējiet transporta drošinātāju vai atvienojiet no iekārtas akumulatoru.
2. Līdz galam pabīdiet bloķēšanas sviru uz augšu turiet to šādā pozīcijā.
3. Virzienā uz priekšu izvelciet zāģa asmeni no instrumenta stiprinājuma.
4. Ļaujiet bloķēšanas svirai slīdēt atpakaļ.

## 7 Apkope un uzturēšana

### BRĪDINĀJUMS!

#### Traumu risks ievietota akumulatora gadījumā !

- ▶ Pirms jebkādiem apkopes un tehniskā stāvokļa uzturēšanas darbiem vienmēr izņemiet akumulatoru!



**Iekārtas apkope**

- Uzmanīgi notīriet pielīpušos netīrumus.
- Uzmanīgi iztīriet ventilācijas atveres ar sausu birstīti.
- Korpusa tīrīšanai jālieto tikai nedaudz samitrināta drāniņa. Nedrīkst lietot silikonu saturošus kopšanas līdzekļus, kas var sabojāt plastmasas daļas.
- Regulāri veiciet instrumenta patronas tīrīšanu un eļļošanu no ārpusē. Lūdzu, lietojiet šim nolūkam **Hilti** aerosolu 314648.

**Litija jonu akumulatoru apkope**

- Raugieties, lai akumulators ir tīrs un nebūtu savārtīts ar eļļu un smērvielām.
- Korpusa tīrīšanai jālieto tikai nedaudz samitrināta drāniņa. Nedrīkst lietot silikonu saturošus kopšanas līdzekļus, kas var sabojāt plastmasas daļas.
- Nepieļaujiet mitruma iekļūšanu.

**Uzturēšana**

- Regulāri pārbaudiet visas redzamās daļas, lai pārliecinātos, ka tās nav bojātas un funkcionē nevainojami.
- Bojājumu un/vai funkciju traucējumu gadījumā izstrādājumu nedrīkst lietot. Tas nekavējoties jānodod **Hilti**, lai veiktu remontu.
- Pēc apkopes un remonta darbiem visas aizsargierīces jāpiemontē vietā un jāpārbauda, vai tās darbojas.



Lai iekārtas lietošana būtu droša, izmantojiet tikai oriģinālās rezerves daļas un patēriņa materiālus. Rezerves daļas un patēriņa materiālus, kuru lietošanu kopā ar šo iekārtu mēs akceptējam, var atrast **Hilti Store** vai tīmekļvietnē [www.hilti.group](http://www.hilti.group).

**7.1 Piespiedējkurpes nomaiņa**

Ja nepieciešams, piespiedējkurpi var nomainīt.

1. Izņemiet akumulatoru.
2. Izņemiet zāga asmeni. → Lappuse 87
3. Nospiediet sarkano piespiedējkurpes atbloķēšanas taustiņu, kas atrodas zāga apakšpusē.
4. Izvelciet piespiedējkurpi.
5. Nospiediet sarkano piespiedējkurpes atbloķēšanas taustiņu, kas atrodas zāga apakšpusē.
6. Pilnībā iebīdīet nedaudz ieeļļotu piespiedējkurpi vadotnē.
7. Pārbaudiet, vai piespiedējkurpe ir nofiksējusies.

**8 Ar akumulatoru darbināmo iekārtu transportēšana un uzglabāšana****Transportēšana**

**IEVĒROT PIESARDZĪBU!**

**Nekontrolēta iedarbošanās transportēšanas laikā !**

- ▶ Pirms iekārtu transportēšanas vienmēr izņemiet no tām akumulatorus!
- ▶ Izņemiet akumulatorus.
- ▶ akumulatorus nekādā gadījumā nedrīkst transportēt nenostiprinātā veidā, sabērtus kaudzēs.
- ▶ Pirms atsākt iekārtas un akumulatoru lietošanu pēc ilgākas transportēšanas, pārbaudiet, vai tie nav bojāti.

**Uzglabāšana**

**IEVĒROT PIESARDZĪBU!**

**Neparedzami bojājumi bojātu vai izplūdušu akumulatoru dēļ !**

- ▶ Pirms iekārtu novietošanas glabāšanā vienmēr izņemiet no tām akumulatorus!
- ▶ Iekārta un akumulatori jāglabā pēc iespējas vēsā un sausā vietā.
- ▶ Nekādā gadījumā neglabājiet akumulatorus augstā temperatūrā, tiešos saules staros vai aiz stikla.
- ▶ Glabājiet iekārtu un akumulatorus vietā, kas nav pieejama bērniem un nepiederošām personām.
- ▶ Pirms atsākt iekārtas un akumulatoru lietošanu pēc ilgās uzglabāšanas, pārbaudiet, vai tie nav bojāti.



## 9 Traucējumu novēršana

Ja iekārtas darbībā ir radušies traucējumi, kas nav uzskaitīti šajā tabulā vai ko jums neizdodas novērst saviem spēkiem, lūdzu, meklējiet palīdzību mūsu **Hilti** servisā.

### 9.1 Zobenzāģis nav funkcionējošs.

Traucējums	Iespējamais iemesls	Risinājums
Iekārtu nevar iedarbināt.	Akumulators nav pilnībā iebīdīts.	▶ Nofiksējiet akumulatoru ar sadzirdamu klikšķi.
	Akumulators ir izlādējies.	▶ Uzlādējiet akumulatoru.
	Nav nospiests transporta drošinātājs.	▶ Aktivējiet transportēšanas nodrošinājumu.
Zāģa asmeni nav iespējams izņemt no instrumenta stiprinājuma.	Blokēšanas svira nav nospiesta līdz galam.	▶ Līdz galam nospiediet blokēšanas sviru un izņemiet zāģa asmeni.
	Instrumenta patronu nosprosto zāģa skaidas.	▶ Aizvāciet skaidas un regulāri notīriet instrumenta patronu no ārpuses. Iekārtas apkope. → Lappuse 87

### 9.2 Zobenzāģis ir funkcionējošs.

Traucējums	Iespējamais iemesls	Risinājums
Iekārta nedarbojas ar pilnu jaudu	Vadības slēdzis nav nospiests līdz galam.	▶ Līdz galam nospiediet vadības slēdzi.
	Akumulators ir izlādējies.	▶ Nomainiet akumulatoru un uzlādējiet tukšo akumulatoru.
Zāģa asmeni nav iespējams izņemt no instrumenta stiprinājuma.	Blokēšanas svira nav nospiesta līdz galam.	▶ Līdz galam nospiediet blokēšanas sviru un izņemiet zāģa asmeni.

## 10 Nokalpojušo iekārtu utilizācija

**Hilti** iekārtu izgatavošanā tiek izmantoti galvenokārt otrreiz pārstrādājami materiāli. Priekšnosacījums otrreizējai pārstrādei ir atbilstoša materiālu šķirošana. Daudzās valstīs **Hilti** pieņem nolietotās iekārtas otrreizējai pārstrādei. Lai saņemtu vairāk informācijas, vērsieties **Hilti** servisā vai pie sava pārdošanas konsultanta.

### Akumulatoru utilizācija

Ja akumulatoru utilizācija netiek veikta pareizā veidā, var izplūst kaitīgas gāzes un šķidrums, kas apdraud veselību.

- ▶ Bojātus akumulatorus nav atļauts nosūtīt!
- ▶ Lai nepieļautu īssavienojumus, nosedziet pieslēguma kontaktus ar materiālu, kam nepiemīt elektriskā vadītspēja.
- ▶ Utilizējiet akumulatorus tā, lai tiem nevarētu piekļūt bērni.
- ▶ Nododiet akumulatoru utilizācijai jūs apkalpojošajā **Hilti Store** vai vērsieties pie kompetentā atkritumu apsaimniekošanas uzņēmuma.



- ▶ Neizmetiet elektroiekārtas, elektroniskas ierīces un akumulatorus sadzīves atkritumos!

## 11 RoHS (direktīva par bīstamo vielu izmantošanas ierobežošanu)

Lai apskatītu bīstamo vielu tabulu, izmantojiet šādu saiti: [qr.hilti.com/r5962277](http://qr.hilti.com/r5962277).

Saiti uz RoHS tabulu jūs QR koda veidā atradīsiet šīs dokumentācijas beigās.



- ▶ Ar jautājumiem par garantijas nosacījumiem, lūdzu, vērsieties pie vietējā **Hilti** partnera.





# 1 Dokumentų duomenys

## 1.1 Apie šią instrukciją

- Prieš pradėdami eksploatuoti, perskaitykite šią instrukciją. Tai yra saugaus darbo ir patikimo naudojimo sąlyga.
- Laikykitės šioje instrukcijoje ir ant prietaiso pateiktų saugos nurodymų ir įspėjimų.
- Šią naudojimo instrukciją visada laikykite kartu su prietaisu, prietaisą kitiems asmenims perduokite tik kartu su šia instrukcija.

## 1.2 Ženklų paaiškinimas

### 1.2.1 Įspėjantieji nurodymai

Įspėjantieji nurodymai įspėja apie pavojus, gresiančius eksploatuojant prietaisą. Naudojami tokie signaliniai žodžiai:

#### PAVOJUS

##### PAVOJUS !

- ▶ Šis žodis vartojamas norint įspėti apie tiesiogiai gresiantį pavojų, kurio pasekmės yra sunkūs kūno sužalojimai arba žūtis.

#### ĮSPĖJIMAS

##### ĮSPĖJIMAS !

- ▶ Šis žodis vartojamas norint įspėti apie galimai gresiantį pavojų, kurio pasekmės gali būti sunkūs kūno sužalojimai arba žūtis.





#### ATSARGIAI

##### ATSARGIAI !

- ▶ Šis žodis vartojamas potencialiai pavojingai situacijai žymėti, kai yra lengvo kūno sužalojimo arba materialinių nuostolių grėsmė.


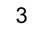


### 1.2.2 Instrukcijoje naudojami simboliai

Šioje instrukcijoje naudojami tokie simboliai:

	Prieš naudojant, perskaityti instrukciją
	Naudojimo nurodymai ir kita naudinga informacija
	Rodo, kad juo paženklintą medžiagą galima perdirbti
	Elektrinių prietaisų ir akumuliatorių nemesti į buitinius šiukšlynus

### 1.2.3 Iliustracijose naudojami simboliai

Iliustracijose naudojami šie simboliai:

	Šis skaitmenys nurodo atitinkamą iliustraciją šios instrukcijos pradžioje
	Numeravimas nurodo darbinių veiksmų eiliškumą paveikslėlyje ir gali skirtis nuo tekste pateikto darbinių veiksmų numeravimo
	Pozicijų numeriai naudojami paveikslėlyje <b>Apžvalga</b> – jie nurodo skyrelyje <b>Prietaiso vaizdas</b> esančių paaiškinimų numerius
	Šiuo ženklu siekiama atkreipti ypatingą dėmesį į naudojimąsi šiuo prietaisu.

## 1.3 Specifiniai prietaiso simboliai

### 1.3.1 Simboliai ant prietaiso

Ant prietaiso gali būti naudojami šie simboliai:



	Nuolatinė srovė
$n_0$	Tuščiosios eigos judesių skaičius
	Belaidis duomenų perdavimas
Li-Ion	Ličio jonų akumulatorius
	Naudotas <b>Hilti</b> serijos ličio jonų akumulatorius. Atkreipkite dėmesį į duomenis skyrįje <b>Naudojimas pagal paskirtį</b> .

#### 1.4 Informacija apie prietaisą

gaminiai yra skirti profesionalams, todėl juos naudoti, techniškai prižiūrėti ir remontuoti leidžiama tik įgaliotam instruktuiotam personalui. Šis personalas turi būti supažindintas su visais galimais pavojais. Neapmokyto personalo, netinkamai arba ne pagal paskirtį naudojamas prietaisais ir jo reikmenys gali kelti pavojų.

Tipas ir serijos numeris yra nurodyti firminėje duomenų lentelėje.

- ▶ Serijos numerį perkelkite į toliau nurodytą lentelę. Kreipdamiesi su prietaisu susijusiais klausimais į mūsų atstovybę ar techninės priežiūros centrą, visada nurodykite šiuos prietaiso duomenis.

##### Prietaiso duomenys

Tiesinis pjūklas	SR 30-A36
Karta	01
Serijos Nr.	

#### 1.5 Atitikties deklaracija

Prisiimdami visą atsakomybę pareiškiame, kad čia yra aprašytas gaminyis atitinka galiojančias direktyvas ir normas. Atitikties deklaracijos kopiją rasite šios instrukcijos gale.

Techninė dokumentacija saugoma čia:

Hilti Entwicklungsgesellschaft mbH | Zulassung Geräte | Hiltistraße 6 | 86916 Kaufering, DE

## 2 Sauga

### 2.1 Bendrieji saugos nurodymai dirbantiems su elektriniais įrankiais

**⚠ [SPĖJIMAS Perskaitykite visus ant šio elektrinio įrankio esančius saugos nurodymus, instrukcijas, paveikslėlius ir techninius duomenis.** Šių nurodymų nesilaikymas gali tapti elektros smūgio, gaisro ir / arba sunkių sužalojimų priežastimi.

**Išsaugokite visus saugos nurodymus ir instrukcijas, kad galėtumėte į juos pažvelgti ateityje.**

Saugos nurodymuose vartojama sąvoka „elektrinis įrankis“ apibrėžiama iš elektros tinklo maitinami elektriniai įrankiai (turintys maitinimo kabelį) ir iš akumulatoriaus maitinami elektriniai įrankiai (be maitinimo kabelio).

#### Sauga darbo vietoje

- ▶ **Pasirūpinkite, kad darbo vieta visada būtų švari ir gerai apšviesta.** Netvarkinga ar blogai apšviesta darbo vieta gali tapti nelaimingų atsitikimų priežastimi.
- ▶ **Nenaudokite elektrinio įrankio sprogoje aplinkoje, kurioje yra degių skysčių, dujų arba dulkių.** Veikiantys elektriniai įrankiai kibirkščiuoja, ir kibirkštys gali uždegti dulkes arba susikaupusius garus.
- ▶ **Dirbdami su elektriniu įrankiu, neleiskite darbo zonoje būti vaikams ir pašaliniais asmenims.** Atitraukę dėmesį nuo darbo, galite nebesuvaldyti prietaiso.

#### Apsauga nuo elektros

- ▶ **Prietaiso maitinimo kabelio kištukas turi atitikti elektros lizdo tipą.** Kištuko jokia būdu negalima keisti. **Nenaudokite tarpinių kištukų kartu su elektriniais įrankiais, turinčiais apsauginį įžeminimą.** Nepakeisti kištukai ir tinkami elektros lizdai mažina elektros smūgio riziką.
- ▶ **Venkite kūno kontakto su įžemintais paviršiais, pvz., vamzdžiais, šildytuvais, viryklėmis ir šaldytuvais.** Kai žmogaus kūnas yra įžemintas, padidėja elektros smūgio tikimybė.
- ▶ **Elektrinius įrankius saugokite nuo lietaus ir drėgmės.** Į elektrinį įrankį patekus vandens, padidėja elektros smūgio rizika.



- ▶ **Nenaudokite elektros maitinimo kabelio ne pagal paskirtį, t. y. neneškite elektrinio įrankio paėmę už kabelio, nekabinkite jo ant kabelio, netraukite už kabelio, norėdami ištraukti kištuką iš elektros lizdo. Elektros maitinimo kabelį saugokite nuo karščio, alyvos, aštrių briaunų ar judančių dalių. Pažeisti arba susipyinę elektros maitinimo kabeliai didina elektros smūgio riziką.**
- ▶ **Jei su elektriniu įrankiu dirbate lauke, naudokite tik tokius ilginimo kabelius, kurie tinka ir lauko darbams. Naudojant lauko darbams tinkančius ilginimo kabelius, mažėja elektros smūgio rizika.**
- ▶ **Jeigu elektrinio įrankio naudojimo drėgnoje aplinkoje negalima išvengti, į elektros tinklą jįjunkite per apsauginę nuotėkio relę. Apsauginė nuotėkio relė mažina elektros smūgio riziką.**

#### Žmonių sauga

- ▶ **Dirbdami su elektriniu įrankiu, būkite atidūs, sutelkite dėmesį į darbą ir vadovaukitės sveika nuovoka. Elektrinio įrankio nenaudokite, jeigu esate pavargę arba apsvaigę nuo narkotinių medžiagų, alkoholio ar vaistų. Neatidumo akimirka dirbant su elektriniu įrankiu gali tapti rimtu sužalojimų priežastimi.**
- ▶ **Naudokite asmenines apsaugos priemones ir visuomet užsidėkite apsauginius akinius. Naudojant asmenines apsaugos priemones, pvz., respiratorių, neslystančius apsauginius batus, apsauginį šalną, ausines ir kt., priklausomai nuo elektrinio įrankio tipo ir naudojimo, mažėja rizika susižaloti.**
- ▶ **Saugokitės, kad neįjungtumėte prietaiso atsitiktinai. Prieš prijungdami prie elektros maitinimo tinklo, įdėdami akumuliatorių, imdami į rankas ar nešdami, įsitikinkite, kad elektrinis įrankis yra išjungtas. Jeigu nešdami elektrinį įrankį pirštą laikysite ant jungiklio arba įrankį įjungsitė į elektros tinklą tuomet, kai jungiklis nėra išjungtas, gali įvykti nelaimingas atsitikimas.**
- ▶ **Prieš įjungdami elektrinį įrankį, pašalinkite iš jo reguliavimo įrankius ar veržlinius raktus. Besisukančioje prietaiso dalyje esantis įrankis ar paliktas raktas gali tapti sužalojimų priežastimi.**
- ▶ **Venkite nepatogių kūno padėčių. Dirbdami stovėkite tvirtai ir visada išlaikykite kūno pusiausvyrą. Taip galėsite geriau kontroliuoti elektrinį įrankį netikėtose situacijose.**
- ▶ **Vilkėkite tinkamą aprangą. Nevilkėkite plačių drabužių, nesidėkite papuošalų. Saugokite plaukus, drabužius ir pirštines nuo besisukančių prietaiso dalių. Laisvus drabužius, papuošalus ir ilgus plaukus gali įtraukti besisukančios prietaiso dalys.**
- ▶ **Jei yra numatyta galimybė prijungti dulkių nusiurbimo ar surinkimo įrenginius, visada įsitikinkite, kad jie yra prijungti ir tinkamai naudojami. Naudojant dulkių nusiurbimo įrenginį, gali sumažėti dulkių keliami grėsmė.**
- ▶ **Neturėkite iliuzijų, kad visada esate saugūs, ir, skaitydami naudojimo instrukcijas, nepraleiskite skyrelių apie saugų darbą su elektriniais įrankiais, net jeigu per ilgus naudojimo metus esate su savo elektriniu įrankiu susipažinę. Neatsargus veiksmas per sekundės dalį gali tapti sunkių sužalojimų priežastimi.**

#### Elektrinio įrankio naudojimas ir elgsys su juo

- ▶ **Prietaiso neperkraudkite. Naudokite Jūsų darbui tinkamą elektrinį įrankį. Su tinkamu elektriniu įrankiu dirbsite geriau ir saugiau, jei neviršysite nurodytos galios.**
- ▶ **Nenaudokite elektrinio įrankio su sugedusiu jungikliu. Elektrinis įrankis, kurio nebegalima įjungti ar išjungti, yra pavojingas ir jį reikia remontuoti.**
- ▶ **Prieš prietaisą nustatydami, keisdami reikmenis ar tiesiog padėdami į šalį, visuomet ištraukite maitinimo kabelio kištuką iš elektros lizdo ir / arba iš prietaiso išimkite akumuliatorių. Ši atsargumo priemonė leis išvengti netikėto elektrinio įrankio įsijungimo.**
- ▶ **Nenaudojamus elektrinius įrankius saugokite vaikams nepasiekiamoje vietoje. Neleiskite prietaisu naudotis asmenims, kurie nėra su juo susipažinę arba nėra perskaitę šios instrukcijos. Elektriniai įrankiai yra pavojingi, kai juos naudoja patirties neturintys asmenys.**
- ▶ **Elektrinius įrankius ir reikmenis rūpestingai prižiūrėkite. Tikrinkite, ar judančios elektrinio įrankio dalys tinkamai funkcionuoja ir niekur neklūva, ar nėra sulūžusių ir pažeistų dalių, kurios blogintų įrankio veikimą. Prieš naudojimą pažeistos prietaiso dalys turi būti suremontuotos. Blogai prižiūrimi elektriniai įrankiai yra daugelio nelaimingų atsitikimų priežastis.**
- ▶ **Pjovimo įrankiai visuomet turi būti aštrūs ir švarūs. Rūpestingai prižiūrėti pjovimo įrankiai su aštriomis pjovimo briaunomis mažiau stringa ir yra lengviau valdomi.**
- ▶ **Elektrinį įrankį, reikmenis, keičiamuosius įrankius ir t. t. naudokite pagal šias instrukcijas. Taip pat atsižvelkite į darbo sąlygas ir atliekamo darbo pobūdį. Elektrinius įrankius naudojant ne pagal paskirtį, gali kilti pavojingos situacijos.**
- ▶ **Prižiūrėkite rankenas, kad jos ir jų laikymo paviršiai visada būtų sausi, švarūs ir neriebaluoti. Slidžios rankenos ir jų laikymo paviršiai negali užtikrinti elektrinio įrankio saugaus naudojimo ir valdymo kontrolės nenumatytose situacijose.**



**Akumulatorinio įrankio naudojimas ir elgesys su juo**

- ▶ **Akumulatoriams įkrauti naudokite tik tuos kroviklius, kuriuos rekomenduoja gamintojas.** Kroviklį, tinkantį tik nurodytiems akumuliatorių tipams, naudojant kitiems akumulatoriams įkrauti, kyla gaisro pavojus.
- ▶ **Elektriniuose įrankiuose naudokite tik konkrečiai jiems skirtus akumulatorius.** Naudojant kitokius akumulatorius, kyla pavojus susižaloti ir sukelti gaisrą.
- ▶ **Nenaudojamo akumulatoriaus nelaikykite šalia sąvaržėlių, monetų, raktų, vinių, varžtų ar kitokių smulkių metalinių daiktų, kurie galėtų trumpai sujungti akumulatoriaus kontaktus.** Trumpai sujungus akumulatoriaus kontaktus, yra pavojus nusideginti ar sukelti gaisrą.
- ▶ **Netinkamai naudojant akumuliatorių, iš jo gali ištekėti skystis. Venkite kontakto su šiuo skysčiu. Jei skysčio atsitiktinai pateko ant odos, nuplaukite ją vandeniu, jei pateko į akis - gerai praplaukite jas vandeniu ir nedelsdami kreipkitės į gydytoją.** Akumulatoriaus skystis gali sudirginti arba chemiškai nudeginti odą.
- ▶ **Nenaudokite pažeisto arba perdirbto akumulatoriaus.** Pažeisti arba perdirbti akumulatoriai gali funkcionuoti nenumatytai, todėl gali kelti gaisro, sproginimo ar sužalojimų pavojų.
- ▶ **Akumuliatorių saugokite nuo ugnies ir per aukštos temperatūros.** Ugnies arba didesnės kaip 130 °C (265 °F) temperatūros veikiamas akumuliatorius gali sprogti.
- ▶ **Laikykites visų įkrovimo instrukcijų ir akumuliatorių arba akumulatorinį įrankį visada įkraukite tik eksploatavimo instrukcijoje nurodytame temperatūrų diapazone.** Netinkamas įkrovimas arba įkrovimas už leistino temperatūrų diapazono ribų gali sugadinti akumuliatorių ir padidinti gaisro pavojų.

**Techninė priežiūra**

- ▶ **Savo elektrinį įrankį patikėkite remontuoti tik kvalifikuotam specialistui, tam jis turi naudoti tik originalias atsargines dalis.** Taip galima užtikrinti, kad bus išlaikytas prietaiso naudojimo saugumas.
- ▶ **Niekada nevykdysite pažeistų akumuliatorių techninės priežiūros.** Bet kokią akumuliatorių techninę priežiūrą leidžiama vykdyti tik gamintojui arba įgaliotoms klientų aptarnavimo įmonėms.

**2.2 Papildomi saugos nurodymai dirbantiems su pjūklais, kurių pjūklelis juda pirmyn ir atgal**

- ▶ **Vykdydami darbus, kurių metu keičiamasis įrankis gali paliesti paslėptus elektros laidus, prietaisą laikykite paėmę už izoliuotų rankenų paviršių.** Dėl kontakto su laidais, kuriais teka elektros srovė, metalinėse prietaiso dalyse taip pat gali atsirasti įtampa, todėl kyla elektros smūgio pavojus.
- ▶ **Ruošinį veržtuvais ar koku nors kitokiu būdu pritvirtinkite ir užfiksukite ant stabiliaus pagrindo.** Jeigu ruošinį laikote tik ranka ar atrėmę į kūną, jis išlieka paslankus, todėl galite nebesuvaldyti prietaiso.

**2.3 Papildomi saugos nurodymai vykdantiems pjovimo darbus****Žmonių sauga**

- ▶ Nekiškite rankų į pjovimo zoną ir prie pjūklelio. Antrąją ranką laikykite papildomą rankeną arba variklio korpusą. Kai pjūklą laiko abi rankos, pjūklelis jų sužaloti negali.
- ▶ Prietaisą naudokite tik tada, kai jis yra techniškai tvarkingas.
- ▶ Prietaisą draudžiama keisti ar kitaip juo manipuluoti.
- ▶ Apsaugines pirštines mūvėkite ir keisdami įrankį. Liesdami keičiamąjį įrankį, galite susipjaustyti ir nusideginti rankas.
- ▶ Prieš pradėdami dirbti, nustatykite darbo metu kilsiančių dulkių kenksmingumo klasę. Naudokite licencijuotą statybinį dulkių siurbli, atitinkantį apsaugos klasę pagal vietoje galiojančias apsaugos nuo dulkių normas. Tam tikrų medžiagų, pvz., dažų, kuriuose yra švino junginių, kai kurių medienos rūšių, betono / mūro / akmens, kuriuose yra kvarco ir kitų mineralų, taip pat metalo dulkės gali būti sveikatai kenksmingos.
- ▶ Pasirūpinkite, kad darbo vieta būtų gerai vėdinama, ir, jeigu reikia, užsidėkite atitinkamoms dulkėms skirtą kvėpavimo takus saugančią kaukę. Liečiamos ar įkvėptos tokios dulkės darbuotojui ar arti jo esantiems asmenims gali sukelti alergines reakcijas ir / arba kvėpavimo takų susirgimus. Medžiagos, kuriose yra asbesto, leidžiama apdoroti tik specialistams.
- ▶ Nekiškite rankų po pjaunamu ruošiniu.
- ▶ Pjaunamo ruošinio niekada nelaikykite rankoje arba ant kojų. Ruošinį stabiliai užfiksukite.
- ▶ Prietaisą tvirtai laikykite abiem rankomis paėmę už tam skirtų rankenų ir rankas laikykite tokioje padėtyje, kad galėtumėte pasipriešinti atatranks jėgoms.
- ▶ Rankenos visada turi būti sausos ir švarios.
- ▶ Visada būkite pjūklelio šone, dirbant Jūsų kūnas neturi būti pjūklelio linijoje. Veikiant atatranks jėgai pjūklas gali staiga pajudėti atgal!



- ▶ Jei pjūklelis stringa arba Jūs nutraukiate darbus, išjunkite pjūklą ir ramiai palaikykite ruošinyje, kol pjūklelis visiškai sustos. Niekada nebandykite išimti pjūklą iš ruošinio arba traukti jį atgal, kol pjūklelis dar juda, – gali kilti atitrūkimas.
- ▶ Jei norite iš naujo įjungti pjūklą, kuris yra ruošinyje, nustatykite pjūklelį įjovimo plyšyje ir patikrinkite, ar pjūklelio dantys neužstrigę ruošinyje.
- ▶ Ypač atsargiai pjaukite angas sienose ar kitose mažai žinomose vietose. Iš viršaus įleidžiamas pjūklelis gali paliesti paslėptus objektus, užsiblokuoti ir sukelti atitrūkimą.

#### Apsauga nuo elektros

- ▶ Prieš pradėdami dirbti, patikrinkite, ar darbo zonoje nėra paslėptų elektros laidų, dujų ar vandentiekio vamzdžių. Netyčia pažeidus elektros kabelį, išorinėse metalinėse prietaiso dalyse gali atsirasti įtampa, kelianti elektros smūgio pavojų.
- ▶ Vykdydami darbus, kurių metu keičiamasis įrankis gali paliesti paslėptus elektros laidus, prietaisą laikykite paėmę už izoliuotų rankenų paviršių. Dėl kontakto su laidais, kuriais teka elektros srovė, metalinėse prietaiso dalyse taip pat gali atsirasti įtampa, todėl kyla elektros smūgio pavojus.

#### Atsargus elektrinių įrankių naudojimas ir elgesys su jais

- ▶ Nenaudokite atšipusių arba pažeistų pjūklelių. Dėl jų padidėja trintis, pjūklelis stringa ir atsiranda atitrūkimo jėga.
- ▶ Laikykites gamintojo nurodymų dėl pjūklelių naudojimo ir saugojimo.
- ▶ Prietaisas prispaudimo trinkele turi būti prispaustas prie apdirbamo ruošinio. Tai užtikrina optimalų ir saugų darbą.
- ▶ Nuo karštų drožlių apsisaugokite vilkėdami atitinkamus apsauginius drabužius.

### 2.4 Papildomi saugos nurodymai

- ▶ Prietaisą naudokite tik tada, kai jis yra techniškai tvarkingas.
- ▶ Prietaisą draudžiama keisti ar kitaip juo manipuliuoti.
- ▶ Nenaudokite atšipusių arba pažeistų pjūklelių. Dėl jų padidėja trintis, atsiranda strigimas ir atitrūkimo jėga.
- ▶ Prieš pradėdami dirbti, patikrinkite, ar darbo zonoje nėra paslėptų elektros laidų, dujų ar vandentiekio vamzdžių. Netyčia pažeidus elektros kabelį, išorinėse metalinėse prietaiso dalyse gali atsirasti įtampa, kelianti elektros smūgio pavojų.
- ▶ Ruošinį stabiliai užfiksuokite. Pjaunamo ruošinio niekada nelaikykite rankoje arba ant kojų.
- ▶ Prietaisą įjunkite tik darbinėje padėtyje.
- ▶ Dirbdami prietaisą visada stumkite nuo kūno.
- ▶ Dirbkite su saikinga spaudimo jėga ir pasirinkite tinkamą įjovimo greitį, ypač pjaudami didelio skersmens vamzdžius. Tai leis išvengti prietaiso perkaitimo.
- ▶ Pjaukdami vamzdžius, įsitikinkite, kad juose nebėra skysčio. Jei gaus reikia, vamzdžius ištuštinkite.
- ▶ Pjaukdami vamzdžius, prietaisą laikykite aukščiau pjaunamo vamzdžio.
  - ↳ Prietaisas nėra apsaugotas nuo drėgmės prasiskverbimo. Ištekantis skystis gali prietaise sukelti trumpąjį jungimą.
- ▶ Niekada nepjaukite nežinomų medžiagų ir nežinomose vietose, nuo pūvio linijos viršuje ir apačioje pašalinkite kliūtis.
  - ↳ Atsitrenkęs į koją nors daiktą, pjūklelis gali sukelti atitrūkimą.
- ▶ Apsaugines pirštines mūvėkite ir keisdami įrankį. Liesdami keičiamajį įrankį, galite susipjaustyti ir nusidėginti rankas.
- ▶ Kai prietaisas nenaudojamas, prieš vykdydami jo techninę priežiūrą, keisdami įrankį ar transportuodami, visuomet išimkite akumuliatorių.
- ▶ Prietaisą sandėliuodami ir transportuodami, suaktyvinkite transportinės apsaugos įtaisą.
- ▶ Laikykites gamintojo nurodymų dėl pjūklelių naudojimo ir saugojimo.
- ▶ Naudotojas ir šalia esantys asmenys darbo su prietaisu metu turi užsidėti tinkamus apsauginius akinius, apsauginį šalną, ausines, mūvėti apsaugines pirštines ir užsidėti lengvą respiratorių.
- ▶ Visada naudokite reikiamo ilgio pjūklelį. Per visą savo eigą pjūklelis turi likti išsikišęs iš ruošinio.
- ▶ Dirbdami darykite pertraukas ir atpalaidavimo pratimus pirštams, kad pagerėtų kraujotaka.
- ▶ Nežiūrėkite tiesiai į šviesuotą (šviesos diodą) ir nenukreipkite jo į kito žmogaus veidą. Yra pavojus apakti.
- ▶ Medžiagų skeveldros gali sužaloti odą ir akis. Naudokite asmenines apsaugos priemones ir visuomet užsidėkite apsauginius akinius bei mūvėkite apsaugines pirštines.
- ▶ Vykdydami sienų ar grindų pragręžimo ar pramušimo kiurai darbus, apsaugokite kitoje pusėje esančią zoną.

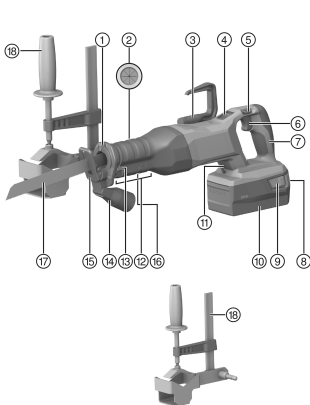


## 2.5 Su akumulatoriais elgtis atsargiai

- ▶ Laikykitės Li-Ion akumuliatorių specialiųjų transportavimo, sandėliavimo ir naudojimo direktyvų.
- ▶ Akumuliatorius saugokite nuo aukštos temperatūros, tiesioginių saulės spindulių ir ugnies.
- ▶ Akumuliatorius draudžiama ardyti, spausti, kaitinti iki aukštesnės kaip 80 °C temperatūros arba deginti.
- ▶ Nenaudokite ir neįkraukite akumuliatorių, kurie buvo patyrę smūgį, kritę iš didesnio kaip vieno metro aukščia ar yra kitokiu būdu pažeisti. Tokiu atveju visada kreipkitės į savo **Hilti techninės priežiūros centrą**.
- ▶ Jeigu į rankas paimtas akumuliatorius atrodo karštas, jis gali būti sugedęs. Prietaisą padėkite nedegioje vietoje toliau nuo degių medžiagų ir, nuolat stebėdami, leiskite atvėsti. Tokiu atveju visada kreipkitės į savo **Hilti techninės priežiūros centrą**.

## 3 Aprašymas

### 3.1 Prietaiso vaizdas



- ① Įrankio griebtuvas
- ② Griebtuvas pjovimo adapterių
- ③ Užlenkiamas pastolių kablys
- ④ Sukimosi greičio pasirinkimas
- ⑤ Transportinės apsaugos įtaisas
- ⑥ Valdymo jungiklis
- ⑦ Užpakalinė rankena
- ⑧ Akumuliatoriaus įkrovos lygio indikatorius
- ⑨ Akumuliatoriaus atblokavimo mygtukas
- ⑩ Akumuliatorius
- ⑪ Apsauginė kilpa
- ⑫ Priekinė rankena
- ⑬ Pjūklelio atblokavimo svirtis
- ⑭ Nusiurbimo žarnos jungtis (JAV: reikmuo)
- ⑮ Prispaudimo trinkelė
- ⑯ Prispaudimo trinkelės atblokavimo mygtukas
- ⑰ Pjūklelis
- ⑱ Pjovimo adapteris (reikmuo)

### 3.2 Naudojimas pagal paskirtį

Aprašytasis prietaisas yra akumuliatorinis tiesinis pjūklas. Jis yra skirtas metalui, plastikui, medienai ir į medieną panašioms gamybinėms medžiagoms pjaustyti.

Prietaisas yra numatytas valdyti abiem rankomis.

- ▶ Su šiuo prietaisu naudokite tik B 36 serijos **Hilti** Li-Ion akumuliatorius.
- ▶ Šiems akumuliatoriams įkrauti naudokite tik C4/36 serijos **Hilti** kroviklius.

### 3.3 Netinkamas naudojimas

- ▶ Nepjaukite plytų, betono, dujų betono, natūralių akmenų ar apdailos plytelių.
- ▶ Nenaudokite prietaiso pjauti vamzdžiams, kuriuose dar yra skysčio.
- ▶ Nepjaukite nežinomų medžiagų ir nežinomose vietose.

### 3.4 Ličio jonų akumuliatoriaus indikatorius

Apie Li-Ion akumuliatoriaus įkrovos lygį ir prietaiso sutrikimus informuoja Li-Ion akumuliatoriaus indikatorius. Li-Ion akumuliatoriaus įkrovos lygis rodomas paspaudus vieną iš dviejų akumuliatoriaus atfiksavimo mygtukų.

Būseną	Reikšmė
Šviečia 4 diodai.	Įkrovos lygis: nuo 75 iki 100 %
Šviečia 3 diodai.	Įkrovos lygis: nuo 50 iki 75 %
Šviečia 2 diodai.	Įkrovos lygis: nuo 25 iki 50 %



Būseną	Reikšmė
Šviečia 1 diodas.	Įkrovos lygis: nuo 10 iki 25 %
1 šviesos diodas mirksi.	Įkrovos lygis: < 10 %
Mirksi 1 šviesos diodas, prietaisas neparengtas naudoti.	Akumulatorius yra perkaitęs arba visiškai išsekęs.
Mirksi 4 šviesos diodai, prietaisas neparengtas naudoti.	Prietaisas yra perkrautas arba perkaitęs.



Kai nuspaustas valdymo jungiklis ir maždaug 5 sekundes po jo paleidimo įkrovos lygio pasižiūrėti negalima.

Kai akumulatoriaus indikatorius šviesos diodai mirksi, laikykitės skyriuje „Pagalba sutrikus veikimui“ pateiktų nurodymų.

### 3.5 Tiekiamas komplektas

Tiesinis pjūklas, naudojimo instrukcija.

Daugiau Jūsų turimam gaminiui skirtų sisteminių reikmenų rasite vietinėje **Hilti Store** arba tinklalapyje [www.hilti.group](http://www.hilti.group).

## 4 Techniniai duomenys

	SR 30-A36
Nominalioji maitinimo įtampa	36 V
Svoris pagal EPTA-Procedure 01	5,2 kg
Eigų dažnis (1 padėtis)	2 000 aps./min.
Eigų dažnis (2 padėtis)	2 800 aps./min.
Eigos ilgis	32 mm
Įrankio griebtuvus	0,5 in
Darbinė aplinkos temperatūra	-17 °C ... 60 °C
Laikymo temperatūra	-20 °C ... 70 °C

### 4.1 Informacija apie triukšmą ir vibracijos reikšmės pagal EN 62841

Šiuose nurodymuose pateiktos garso slėgio ir vibracijos reikšmės yra išmatuotos taikant standartizuotą matavimo metodą ir gali būti naudojami elektriniams įrankiams palyginti tarpusavyje. Jos taip pat tinka šių veiksmų poveikiui iš anksto įvertinti.

Nurodytieji duomenys yra susieti su pagrindinėmis šio elektrinio įrankio naudojimo sritimis. Jeigu elektrinis įrankis bus naudojamas kitaip, su skirtingais keičiamaisiais įrankiais arba bus nepakankamai techniškai prižiūrimas, šie duomenys gali skirtis nuo nurodytųjų. Tai gali gerokai padidinti šių veiksmų poveikį per visą darbo laikotarpį.

Norint tiksliai įvertinti poveikį, reikėtų įvertinti ir laiką, kai prietaisas yra išjungtas, arba, nors ir įjungtas, juo faktiškai nedirbama. Toks įvertinimas gali smarkiai sumažinti poveikio per visą darbo laikotarpį reikšmę.

Įmkitės papildomų saugos priemonių, kad darbuotojas būtų apsaugotas nuo triukšmo ir / arba vibracijos poveikio, pavyzdžiui, reikalaukite tinkamos elektrinio įrankio ir keičiamųjų įrankių techninės priežiūros, pasirūpinkite, kad darbuotojų rankos visada būtų šiltos, užtikrinkite tinkamą darbo organizavimą.

#### Informacija apie triukšmą

	SR 30-A36
Garso stiprumo lygis ( $L_{WA}$ )	96 dB(A)
Garso stiprumo lygio paklaida ( $K_{WA}$ )	5 dB(A)
Garso slėgio lygis ( $L_{pA}$ )	85 dB(A)
Garso slėgio lygio paklaida ( $K_{pA}$ )	5 dB(A)



## Suminės vibracijų reikšmės

	SR 30-A36
Vibracijų emisijos reikšmė pjaunant medienos drožlių plokštes ( $a_{h,b}$ )	22,5 m/s <sup>2</sup>
Paklaida pjaunant medienos drožlių plokštes (K)	3,7 m/s <sup>2</sup>
Vibracijų emisijos reikšmė pjaunant medines sijas ( $a_{h,wb}$ )	20,5 m/s <sup>2</sup>
Paklaida pjaunant medines sijas (K)	3,3 m/s <sup>2</sup>

## 4.2 Akumulatorius

Akumulatoriaus darbinė įtampa	36 V
Darbinė aplinkos temperatūra	-17 °C ... 60 °C
Laikymo temperatūra	-20 °C ... 40 °C
Akumulatoriaus temperatūra, kai pradedama įkrauti	-10 °C ... 45 °C

## 5 Pasiruošimas darbui

### ATSAUGIAI

#### Sužalojimo pavojus dėl atsitiktinio paleidimo!

- ▶ Prieš įdėdami akumuliatorių, įsitikinkite, kad atitinkamas prietaisas yra išjungtas.
- ▶ Prieš nustatydami prietaisą ar keisdami reikmenis, išimkite akumuliatorių.

Laikykitės šioje instrukcijoje ir ant prietaiso pateiktų saugos nurodymų ir įspėjimų.

### 5.1 Akumulatoriaus įkrovimas

1. Prieš pradėdami krauti, perskaitykite kroviklio naudojimo instrukciją.
2. Atkreipkite dėmesį, kad akumulatoriaus ir kroviklio kontaktai turi būti švarūs ir sausi.
3. Akumuliatorių įkraukite leistinu krovikliu.

### 5.2 Akumulatoriaus įdėjimas

#### ATSAUGIAI

#### Sužalojimo pavojus dėl trumpojo jungimo arba krintančio akumulatoriaus!

- ▶ Prieš įdėdami akumuliatorių, įsitikinkite, kad jo ir prietaiso kontaktuose nėra pašalinių daiktų.
- ▶ Visada įsitikinkite, kad akumulatorius tinkamai užsifiksavo.

1. Prieš pirmąjį kartą naudodami, akumuliatorių pilnai įkraukite.
2. Akumuliatorių dėkite į prietaisą esantį laikiklį, kol girdimai užsifiksuos.
3. Patikrinkite, ar akumulatorius gerai užfiksuotas prietaise.

### 5.3 Akumulatoriaus išėmimas

1. Spauskite akumulatoriaus atfiksavimo mygtukus.
2. Akumuliatorių ištraukite iš prietaisą esančio laikiklio.

### 5.4 Pastolių kablo (reikmuo) montavimas

1. Suaktyvinkite transportinės apsaugos įtaisą.
2. Sumontuokite pastolių kablį.

### 5.5 Pjūklelio įdėjimas

Naudokite tik pjūklelius su 1/2" kotu.

1. Suaktyvinkite transportinės apsaugos įtaisą arba nuo prietaiso nuimkite akumuliatorių.
2. Patikrinkite, ar įrankio kotas yra švarus ir šiek tiek pateptas tepalu. Jei reikia, kotą nuvalykite ir patepkite tirštuoju tepalu.





3. Fiksavimo svirtį stumkite aukštyn, kol atsirems, ir laikykite šioje padėtyje.
4. Pjūklėlį iš priekio įstumkite į įrankio griebtuvą.
5. Leiskite fiksavimo svirčiai slysti atgal.
6. Pjūklėlį patraukite ir patikrinkite, ar užsifiksavo.

### 5.6 Nusiurbimo žarnos jungties montavimas (JAV: reikmuo) 4

1. Ištraukite prispaudimo trinkelę.
2. Nusiurbimo žarnos jungtį uždėkite ant prispaudimo trinkelės laikiklio.
3. Šiek tiek pateptą prispaudimo trinkelę iki galo įstumkite į kreipiančiąją.

## 6 Naudojimas

### **ATSARGIAI**

#### Sužalojimo pavojus dėl trumpojo jungimo arba krintančio akumulatoriaus!

- ▶ Prieš įdėdami akumuliatorių, įsitikinkite, kad jo ir prietaiso kontaktuose nėra pašalinių daiktų.
- ▶ Visada įsitikinkite, kad akumulatorius tinkamai užsifiksavo.

Laikykitės šioje instrukcijoje ir ant prietaiso pateiktų saugos nurodymų ir įspėjimų.

### 6.1 Pjūklų valdymas 5

1. Pjūklą laikykite paėmę už tam skirtų rankenų.
2. Pjūklą stumkite iki ruošinio.
3. Pjūklą stumkite pirmyn ir traukite atgal.
  - ↳ Jei pjūklą spausite prie ruošinio, pjūklelis gali lūžti ir sužaloti.

### 6.2 Pjovimas 6

### **ISPĖJIMAS**

#### Sužalojimo pavojus dėl sugedusio pastolių kablo! Krintantis prietaisas gali sužaloti Jus ir kitus žmones.

- ▶ Prieš pradėdami dirbti, tikrinkite, ar pastolių kablys yra patikimai pritvirtintas ir ar nėra pažeistas.

1. Išaktyvinkite transportinės apsaugos įtaisą ir spauskite valdymo jungiklį.
  - ↳ Paveikslėliuose rasite pavaizduotas įvairias galimybes, kaip efektyviai valdyti pjūklą.
2. Baigę pjovimo operaciją, valdymo jungiklį atleiskite.
3. Suaktyvinkite transportinės apsaugos įtaisą.

### 6.3 Pjūklelio išėmimas 7

### **ATSARGIAI**

#### Sužalojimo pavojus! Keičiamasis įrankis gali būti karštas ir / arba turėti aštrias briaunas.

- ▶ Keisdami keičiamąjį įrankį, mūvėkite apsaugines pirštines.
- ▶ Karšto keičiamojo įrankio niekada nedėkite ant degių paviršių.

1. Suaktyvinkite transportinės apsaugos įtaisą arba nuo prietaiso nuimkite akumuliatorių.
2. Fiksavimo svirtį stumkite aukštyn, kol atsirems, ir laikykite šioje padėtyje.
3. Traukdami pirmyn, išimkite pjūklėlį iš įrankio griebtuvo.
4. Leiskite fiksavimo svirčiai slysti atgal.

## 7 Prižiūra ir einamasis remontas

### **ISPĖJIMAS**

#### Sužalojimo pavojus kai įstatytas akumulatorius !

- ▶ Prieš pradėdami bet kokius techninės priežiūros ir einamojo remonto darbus, akumuliatorių iš prietaiso išimkite!



**Prietaiso priežiūra**

- Atsargiai pašalinti prilipusius nešvarumus.
- Vėdinimo plyšius atsargiai išvalyti sausu šepetėliu.
- Korpusą valyti tik šiek tiek sudrėkinta šluoste. Nenaudoti silikono turinčių priežiūros priemonių, nes jos gali pakenkti plastikinėms detalėms.
- Reguliariai valyti iš išorės ir sutepti įrankio griebtuvą. Tam naudokite **Hilti** puršką 314648.

**Ličio jonų akumuliatorių priežiūra**

- Akumuliatorių saugoti nuo alyvos ir tirštojo tepalo.
- Korpusą valyti tik šiek tiek sudrėkinta šluoste. Nenaudoti silikono turinčių priežiūros priemonių, nes jos gali pakenkti plastikinėms detalėms.
- Saugoti, kad į vidų neprasiskverbtų drėgmė.

**Einamasis remontas**

- Reguliariai tikrinti, ar matomos dalys nėra pažeistos ir ar valdymo elementai veikia nepriekaištingai.
- Pažeisto ir / arba turinčio veikimo sutrikimų prietaiso nenaudoti. Nedelsiant kreiptis į **Hilti** techninės priežiūros centrą dėl remonto.
- Baigus techninės priežiūros ir einamojo remonto darbus, sumontuoti visus apsauginius įtaisus ir patikrinti jų veikimą.



Kad eksploatacija būtų patikima, naudokite tik originalias atsargines dalis ir eksploatacines medžiagas. Mūsų apbruotus atsargines dalis, eksploatacines medžiagas ir reikmenis savo prietaisui rasite vietinėje **Hilti Store** arba tinklalapyje [www.hilti.group](http://www.hilti.group).

**7.1 Prispaudimo trinkelės keitimas**

Jeigu reikia, prispaudimo trinkelę galima pakeisti.

1. Akumuliatorių išimkite.
2. Išimkite pjūklelį. → psl. 99
3. Paspauskite apatinėje tiesinio pjūklo pusėje esantį raudonos spalvos prispaudimo trinkelės atblokavimo mygtuką.
4. Ištraukite prispaudimo trinkelę.
5. Paspauskite apatinėje tiesinio pjūklo pusėje esantį raudonos spalvos prispaudimo trinkelės atblokavimo mygtuką.
6. Šiek tiek pateptą prispaudimo trinkelę iki galo įstumkite į kreipiančiąją.
7. Patikrinkite, ar prispaudimo trinkelė užfiksuota.

**8 Akumuliatorinių prietaisų transportavimas ir sandėliavimas****Transportavimas****ATSARGIAI****Atsitiktinis įjungimas transportuojant !**

- ▶ Savo prietaisus visada transportuokite tik išėmę akumuliatorius!
- ▶ Išimti akumuliatorius.
- ▶ Akumuliatorių niekada netransportuoti sumetus į krūvą su kitais daiktais.
- ▶ Prieš naudojant po ilgesnio transportavimo, patikrinti, ar prietaisas ir akumuliatoriai nėra pažeisti.

**Sandėliavimas****ATSARGIAI****Atsitiktinis pažeidimas dėl sugedusių ar išsiliejusių akumuliatorių !**

- ▶ Savo prietaisus visada laikykite tik išėmę akumuliatorius!
- ▶ Prietaisą ir akumuliatorių pagal galimybes laikyti sausoje ir vėsioje vietoje.
- ▶ Akumuliatorių jokiū būdu nelaikyti saulės atokaitoje, ant šildymo prietaisų ar už automobilio lango stiklo.
- ▶ Prietaisą ir akumuliatorių laikyti vaikams bei neįgaliesiems asmenims neprieinamoje vietoje.
- ▶ Prieš naudojant po ilgesnio sandėliavimo, patikrinti, ar prietaisas ir akumuliatoriai nėra pažeisti.



## 9 Pagalba sutrikus veikimui

Pasitaikius sutrikimų, kurie nėra aprašyti šioje lentelėje arba kurių negalite pašalinti patys, kreipkitės į **Hilti** techninės priežiūros centrą.

### 9.1 Tiesinis pjūklas nėra parengtas veikti

Sutrikimas	Galima priežastis	Sprendimas
Prietaisas neįsijungia.	Akumulatorius netinkamai įstatytas.	▶ Užfiksuokite akumuliatorių – turi pasigirsti spragtelėjimas.
	Akumulatorius išsekęs.	▶ Akumuliatorių įkraukite.
	Nepaspaustas transportinės apsaugos įtaisas.	▶ Paspauskite transportinės apsaugos įtaisą.
Pjūklelio negalima išimti iš įrankio griebtuvo.	Fiksavimo svirtis paspausta ne iki atramos.	▶ Fiksavimo svirtį spauskite, kol atsirems, ir pjūklelį išimkite.
	Įrankio griebtuvą pripildytas pjovimo liekanų.	▶ Pašalinkite pjovimo liekanas ir reguliariai valykite įrankio griebtuvą iš išorės. Prietaiso priežiūra. → psl. 99

### 9.2 Tiesinis pjūklas yra parengtas veikti

Sutrikimas	Galima priežastis	Sprendimas
Prietaisas veikia ne visa galia.	Valdymo jungiklis nuspaustas ne iki galo	▶ Valdymo jungiklį spauskite iki galo.
	Akumulatorius išsekęs	▶ Akumuliatorių pakeiskite, o išsekusį įkraukite.
Pjūklelio negalima išimti iš įrankio griebtuvo.	Fiksavimo svirtis paspausta ne iki atramos.	▶ Fiksavimo svirtį spauskite, kol atsirems, ir pjūklelį išimkite.

## 10 Utilizavimas

**Hilti** prietaisai yra pagaminti iš medžiagų, kurias galima naudoti antrą kartą. Būtina antrinio perdirdavimo sąlyga yra tinkamas medžiagų išrūšiavimas. Daugelyje šalių **Hilti** priims Jūsų nebenaudojamą prietaisą perdirdinti. Apie tai galite pasiteirauti artimiausiam **Hilti** techninės priežiūros centre arba savo prekybos konsultantui.

### Akumuliatorių utilizavimas

Dėl netinkamo akumuliatorių utilizavimo į aplinką pasklidusios dujos ar ištekėję skysčiai gali kelti grėsmę sveikatai.

- ▶ Pažeistų akumuliatorių nesiųskite paštu ir nepervežkite!
- ▶ Kad būtų išvengta trumpojo jungimo, jungtis uždenkite elektrai nelaidžia medžiaga.
- ▶ Akumuliatorius utilizuokite taip, kad jie negalėtų patekti į vaikų rankas.
- ▶ Akumuliatorių pristatykite utilizuoti į savo **Hilti Store** arba kreipkitės į vietinę kompetentingą utilizavimo įmonę.



- ▶ Elektrinių įrankių, elektroninių prietaisų ir akumuliatorių neišmeskite į buitinius šiukšlynus!

## 11 RoHS (direktyva dėl pavojingų medžiagų naudojimo ribojimo)

Pavojingų medžiagų lentelę rasite spausdami šią nuorodą: [qr.hilti.com/r5962277](http://qr.hilti.com/r5962277).

Nuorodą į RoHS lentelę rasite kaip QR kodą šios instrukcijos gale.

## 12 Gamintojo teikiama garantija

- ▶ Kilus klausimų dėl garantijos sąlygų, kreipkitės į vietinį **Hilti** partnerį.



## 1 Указания к документации

### 1.1 Об этом документе



#### Импортер и уполномоченная изготовителем организация

- (RU) Российская Федерация  
АО "Хилти Дистрибьюшн ЛТД", 141402, Московская область, г. Химки, ул. Ленинградская, стр. 25
- (BY) Республика Беларусь  
222750, Минская область, Дзержинский район, Р-1, 18-й км, 2 (около д. Слободка), помещение 1-34
- (KZ) Республика Казахстан  
Республика Казахстан, индекс 050011, г. Алматы, ул. Пугачева 4
- (KG) Киргизская Республика  
ОсОО "Т AND Т", 720021, Кыргызстан, Бишкек, ул. Ибраимова 29 А
- (AM) Республика Армения  
ООО Эйч-Кон, Республика Армения, г. Ереван, ул. Бабаяна 10/1

Страна производства: см. маркировочную табличку на оборудовании.

Дата производства: см. маркировочную табличку на оборудовании.

Соответствующий сертификат можно найти по адресу: [www.hilti.ru](http://www.hilti.ru)

Специальных требований к условиям хранения, транспортировки и использования, кроме указанных в руководстве по эксплуатации, нет.

Срок службы изделия составляет 5 лет.

- Ознакомьтесь с этим документом перед началом работы. Это является залогом безопасной работы и бесперебойной эксплуатации.
- Соблюдайте указания по технике безопасности и предупреждающие указания, приводимые в данном документе и на изделии.
- Храните руководство по эксплуатации всегда рядом с электроинструментом и передавайте электроинструмент будущим владельцам только вместе с этим руководством.

### 1.2 Пояснение к знакам (условным обозначениям)

#### 1.2.1 Предупреждающие указания

Предупреждающие указания служат для предупреждения об опасностях при обращении с машиной. Используются следующие сигнальные слова:

#### ОПАСНО

##### ОПАСНО !

- ▶ Общее обозначение непосредственной опасной ситуации, которая влечет за собой тяжелые травмы или смертельный исход.

#### ПРЕДУПРЕЖДЕНИЕ

##### ПРЕДУПРЕЖДЕНИЕ !

- ▶ Общее обозначение потенциально опасной ситуации, которая может повлечь за собой тяжелые травмы или смертельный исход.

#### ОСТОРОЖНО

##### ОСТОРОЖНО !

- ▶ Общее обозначение потенциально опасной ситуации, которая может повлечь за собой легкие травмы или повреждение оборудования.

#### 1.2.2 Символы, используемые в руководстве

В этом руководстве используются следующие символы:



Перед использованием прочтите руководство по эксплуатации.



	Указания по эксплуатации и другая полезная информация
	Обращение с материалами, пригодными для вторичной переработки
	Не выбрасывайте электроустройства и аккумуляторы вместе с обычным мусором!

### 1.2.3 Символы на изображениях

На изображениях используются следующие символы:

	Эти цифры указывают на соответствующее изображение в начале данного руководства.
	Нумерация на изображениях отображает порядок выполнения рабочих операций и может отличаться от нумерации, используемой в тексте.
	Номера позиций используются в <b>обзорном</b> изображении. В <b>обзоре изделия</b> они указывают на номера в экспликации.
	Этот знак должен привлечь особое внимание пользователя при обращении с изделием.

## 1.3 Символы в зависимости от изделия

### 1.3.1 Символы на изделии

На изделии могут использоваться следующие символы:

	Постоянный ток
$n_0$	Частота ходов в холостом режиме
	Устройство поддерживает технологию NFC, совместимую с платформами iOS и Android.
Li-Ion	Литий-ионный аккумулятор
	Серия используемых литий-ионных аккумуляторов <b>Hilti</b> . Соблюдайте указания, приведенные в главе <b>Использование по назначению</b> .

## 1.4 Информация об изделии

Изделия предназначены для профессионального использования, поэтому они должны обслуживаться и ремонтироваться только уполномоченным и обученным персоналом. Этот персонал должен пройти специальный инструктаж по технике безопасности. Использование изделия и его оснастки не по назначению или его эксплуатация необученным персоналом могут представлять опасность.

Типовое обозначение и серийный номер указаны на заводской табличке.

- ▶ Перепишите серийный номер в нижеприведенную табличную форму. Данные изделия необходимы при обращении в наше представительство или сервисный центр.

#### Указания к изделию

Сабельная пила	SR 30-A36
Поколение	01
Серийный №	

## 1.5 Декларация соответствия нормам

Настоящим мы с полной ответственностью заявляем, что данное изделие соответствует действующим директивам и нормам. Копию декларации соответствия нормам см. в конце этого документа.

Техническая документация (оригиналы) хранится здесь:

**Hilti** Entwicklungsgesellschaft mbH | Zulassung Geräte | Hiltistraße 6 | 86916 Kaufering, Германия



**2.1 Общие указания по технике безопасности для электроинструментов**

**⚠ ПРЕДУПРЕЖДЕНИЕ** Изучите все указания по технике безопасности, инструкции, иллюстрации и технические данные, которые прилагаются к данному электроинструменту. Несоблюдение приводимых ниже указаний может привести к поражению электрическим током, пожару и/или тяжелым травмам.

**Сохраните все указания по технике безопасности и инструкции для следующего пользователя.**

Используемый далее термин «электроинструмент» относится к электроинструменту, работающему от электрической сети (с кабелем электропитания) и от аккумулятора (без кабеля электропитания).

**Безопасность рабочего места**

- ▶ Следите за чистотой и хорошей освещенностью на рабочем месте. Беспорядок на рабочем месте или плохое освещение могут привести к несчастным случаям.
- ▶ Не используйте электроинструмент в взрывоопасной зоне, где имеются горючие жидкости, газы или пыль. При работе электроинструмент искрит, и искры могут воспламенить пыль или пары/газы.
- ▶ Не разрешайте детям и посторонним приближаться к работающему электроинструменту. Отвлекаясь от работы, можно потерять контроль над электроинструментом.

**Электрическая безопасность**

- ▶ Соединительная вилка электроинструмента должна соответствовать розетке электросети. Не изменяйте конструкцию вилки! Не используйте переходные вилки с электроинструментами с защитным заземлением. Использование оригинальных вилок и соответствующих им розеток снижает риск поражения электрическим током.
- ▶ Избегайте непосредственного контакта с заземленными поверхностями, например с трубами, отопительными приборами, газо-/электропластинами и холодильниками. При контакте с заземленными предметами возникает повышенный риск поражения электрическим током.
- ▶ Предохраняйте электроинструменты от дождя или воздействия влаги. В результате попадания воды в электроинструмент возрастает риск поражения электрическим током.
- ▶ Не используйте кабель электропитания не по назначению, например для переноски электроинструмента, его подвешивания или для выдергивания вилки из розетки электросети. Защищайте кабель электропитания от воздействий высоких температур, масла, острых кромок или вращающихся деталей/узлов. В результате повреждения или схлестывания кабелей электропитания повышается риск поражения электрическим током.
- ▶ Если работы с электроинструментом выполняются на открытом воздухе, применяйте только удлинительные кабели, которые разрешено использовать вне помещений. Использование удлинительного кабеля, пригодного для использования вне помещений, снижает риск поражения электрическим током.
- ▶ Если избежать работы с электроинструментом в условиях влажности не представляется возможным, используйте автомат защиты от тока утечки. Использование автомата защиты от тока утечки снижает риск поражения электрическим током.

**Безопасность персонала**

- ▶ Будьте внимательны, следите за своими действиями и серьезно относитесь к работе с электроинструментом. Не пользуйтесь электроинструментом, если вы устали или находитесь под действием наркотиков, алкоголя или медикаментов. Незначительная ошибка при невнимательной работе с электроинструментом может стать причиной серьезного травмирования.
- ▶ Используйте средства индивидуальной защиты и всегда надевайте защитные очки. Использование средств индивидуальной защиты, например респиратора, защитной обуви на нескользящей подошве, защитной каски или защитных наушников, в зависимости от вида и условий эксплуатации электроинструмента, снижает риск травмирования.
- ▶ Избегайте непреднамеренного включения электроинструмента. Убедитесь в том, что электроинструмент выключен, прежде чем подключить его к электропитанию и/или вставить аккумулятор, поднимать или переносить электроинструмент. Ситуации, когда при переноске электроинструмента палец находится на выключателе или когда включенный электроинструмент подключается к электросети, могут привести к несчастным случаям.
- ▶ Перед включением электроинструмента удалите регулировочные приспособления или гаечные ключи. Рабочий инструмент или гаечный ключ, находящийся во вращающейся части электроинструмента, может стать причиной получения травм.



- ▶ **Старайтесь избегать неестественных поз при работе. Постоянно сохраняйте устойчивое положение и равновесие.** Это позволит лучше контролировать электроинструмент в непредвиденных ситуациях.
- ▶ **Носите спецодежду. Не надевайте очень свободную одежду или украшения. Оберегайте волосы, одежду и защитные перчатки от вращающихся узлов электроинструмента.** Свободная одежда, украшения и длинные волосы могут быть захвачены ими.
- ▶ **Если предусмотрено подсоединение устройств для удаления и сбора пыли, убедитесь в том, что они подсоединены и используются по назначению.** Использование пылеудаляющего аппарата снижает вредное воздействие пыли.
- ▶ **Не пребывайте в ложной уверенности в собственной безопасности и не пренебрегайте правилами техники безопасности для электроинструментов, даже если вы являетесь опытным пользователем электроинструмента.** Неосторожное обращение может в течение долей секунды стать причиной получения тяжелых травм.

#### Использование и обслуживание электроинструмента

- ▶ **Не допускайте перегрузки электроинструмента. Используйте электроинструмент, предназначенный именно для данной работы.** Соблюдение этого правила обеспечит более высокое качество и безопасность работы в указанном диапазоне мощности.
- ▶ **Не используйте электроинструмент с неисправным выключателем.** Электроинструмент, включение или выключение которого затруднено, представляет опасность и должен быть отремонтирован.
- ▶ **Прежде чем приступить к регулировке электроинструмента, замене принадлежностей или перед перерывом в работе выньте вилку из розетки и/или аккумулятор из электроинструмента.** Данная мера предосторожности позволит предотвратить непреднамеренное включение электроинструмента.
- ▶ **Храните неиспользуемые электроинструменты в местах, недоступных для детей. Не позволяйте использовать электроинструмент лицам, которые не ознакомлены с ним или не читали эти инструкции.** Электроинструменты представляют собой опасность в руках неопытных пользователей.
- ▶ **Бережно обращайтесь с электроинструментами и принадлежностями. Проверяйте безупречное функционирование подвижных частей, легкость их хода, целостность и отсутствие повреждений, которые могли бы отрицательно повлиять на работу электроинструмента. Сдавайте поврежденные части электроинструмента в ремонт до его использования.** Причиной многих несчастных случаев является несоблюдение правил технического обслуживания электроинструментов.
- ▶ **Необходимо следить за тем, чтобы режущие инструменты были острыми и чистыми.** Заклинивание содержащихся в надлежащем состоянии режущих инструментов происходит реже, ими легче управлять.
- ▶ **Применяйте электроинструмент, принадлежности (оснастку), рабочие инструменты и т. д. согласно данным указаниям. Учитывайте при этом рабочие условия и характер выполняемой работы.** Использование электроинструментов не по назначению может привести к опасным ситуациям.
- ▶ **Замасленные рукоятки и поверхности для хвата немедленно очищайте — они должны быть сухими и чистыми.** Скользкие рукоятки и поверхности для хвата не обеспечивают безопасное управление и контроль электроинструмента в непредвиденных ситуациях.

#### Использование и обслуживание аккумуляторного инструмента

- ▶ **Заряжайте аккумуляторы только с помощью зарядных устройств, рекомендованных изготовителем.** При использовании зарядного устройства для зарядки несоответствующих ему типов аккумуляторов существует опасность возгорания.
- ▶ **Используйте только оригинальные аккумуляторы, рекомендованные специально для этого электроинструмента.** Использование других аккумуляторов может привести к травмам и опасности возгорания.
- ▶ **Неиспользуемые аккумуляторы храните вдали от скрепок, монет, ключей, гвоздей, шурупов или других мелких металлических предметов, которые могут стать причиной замыкания контактов.** Замыкание контактов аккумулятора может привести к ожогам или возгоранию.
- ▶ **При неверном обращении с аккумулятором из него может вытечь электролит. Избегайте контакта с ним. При случайном контакте смойте водой. При попадании электролита в глаза немедленно обратитесь за помощью к врачу.** Вытекший из аккумулятора электролит может привести к раздражению кожи или ожогам.
- ▶ **Не используйте поврежденный или измененный аккумулятор.** Поврежденные или измененные аккумуляторы могут функционировать непредсказуемо и стать причиной возгорания, взрыва или травмирования.



- ▶ **Не подвергайте аккумулятор воздействию огня или слишком высоких температур.** Огонь или температура свыше 130 °C могут спровоцировать взрыв аккумулятора.
- ▶ **Соблюдайте все указания по зарядке и никогда не заряжайте аккумулятор или аккумуляторный инструмент вне температурного диапазона, указанного в руководстве по эксплуатации.** Неправильная зарядка/зарядка вне указанного в руководстве по эксплуатации температурного диапазона могут привести к разрушению аккумулятора и повышают опасность возгорания.

#### Сервис

- ▶ **Доверяйте ремонт своего электроинструмента только квалифицированному персоналу, использующему только оригинальные запчасти.** Этим обеспечивается поддержание электроинструмента в безопасном состоянии.
- ▶ **Категорически запрещается выполнять обслуживание поврежденных аккумуляторов.** Все технические работы с аккумуляторами должны выполняться только производителем или авторизованными сервисными мастерскими.

### 2.2 Дополнительные указания по технике безопасности для пил с подвижным пыльным полотном

- ▶ **При опасности повреждения рабочим инструментом скрытой электропроводки держите электроинструмент за изолированные поверхности рукояток или для хвата.** При контакте с токопроводящей линией металлические части электроинструмента также находятся под напряжением, что может привести к поражению электрическим током.
- ▶ **Закрепляйте и фиксируйте заготовку с помощью струбцин или иным надежным способом на прочном основании.** Если удерживать заготовку только рукой или прижимать к туловищу, она остается подвижной, что может привести к потере контроля.

### 2.3 Дополнительные указания по технике безопасности при пилении

#### Безопасность персонала

- ▶ Не приближайте руки к рабочей зоне пилы и пыльного полотна. Во время работы придерживайте другой рукой дополнительную рукоятку или корпус электродвигателя. При удержании пилы обеими руками риск их травмирования пыльным полотном исключается.
- ▶ Используйте электроинструмент только в технически исправном состоянии.
- ▶ Внесение изменений в конструкцию электроинструмента или его модификация категорически запрещаются.
- ▶ При замене рабочего инструмента надевайте защитные перчатки. Соблюдайте осторожность при замене рабочего инструмента — контакт с ним может привести к порезам и ожогам.
- ▶ Перед началом работы выясните по материалу заготовки класс опасности возникающей пыли. Для работы с электроинструментом используйте строительный (промышленный) пылесос, степень защиты которого соответствует нормам пылезащиты, действующим в месте эксплуатации. Пыль, возникающая при обработке лакокрасочных покрытий, содержащих свинец, некоторых видов древесины, бетона/кирпичной и каменной кладки с частицами кварца, минералов, а также металла может представлять опасность для здоровья.
- ▶ Обеспечьте оптимальную вентиляцию рабочей зоны и при необходимости надевайте респиратор, который подходит для защиты от конкретного вида пыли. Вдыхание частиц такой пыли или контакт с ней может стать причиной появления аллергических реакций и/или заболеваний дыхательных путей как у пользователя, так и находящихся вблизи лиц. Работы с асбестосодержащим материалом должны выполняться только специалистами.
- ▶ Не беритесь руками за нижнюю часть заготовки.
- ▶ Не держите разрезаемую заготовку в руке и не поддерживайте ее ногой. Закрепляйте заготовку в надежном зажимном устройстве.
- ▶ Надежно держите пилу обеими руками, приняв такое положение, при котором вы сможете амортизировать отдачу электроинструмента.
- ▶ Следите за тем, чтобы рукоятки были сухими и чистыми.
- ▶ Держитесь всегда сбоку от пыльного полотна, избегайте рабочего положения на одной линии с ним. При обратной отдаче возможен отскок пыли!
- ▶ В случае защемления пыльного полотна или во время перерывов в работе выключайте пилу и не вынимайте ее из заготовки, пока пыльное полотно не остановится. Никогда не пытайтесь вынуть пилу из заготовки или оттянуть ее назад, пока пыльное полотно находится в движении — опасность появления отдачи!
- ▶ При повторном включении пилы, которая находится в заготовке, отцентрируйте пыльное полотно в резе и проверьте, не заклинило ли пыльные зубья в заготовке.





- ▶ Будьте особенно осторожны при пилении в стенах или в других непросматриваемых зонах. Погружаемое пыльное полотно может заклинить при контакте со скрытыми помехами, вследствие чего возникнет отдача.

#### **Электрическая безопасность**

- ▶ Перед началом работы проверяйте рабочее место на наличие скрытой электропроводки, газо- и водопроводных труб. Открытые металлические части электроинструмента могут стать проводниками электрического тока, если случайно задеть (повредить) электропроводку.
- ▶ При опасности повреждения рабочим инструментом скрытой электропроводки держите электроинструмент за изолированные поверхности рукояток/поверхности для хвата. При контакте с токопроводящей линией металлические части электроинструмента также находятся под напряжением, что может привести к поражению электрическим током.

#### **Бережное обращение с электроинструментами и их правильная эксплуатация**

- ▶ Не используйте тупые или поврежденные пыльные полотна. Их использование сопряжено с повышенным трением, заклиниванием или появлением отдачи.
- ▶ Соблюдайте указания изготовителя по обращению и хранению пыльных полотен.
- ▶ Электроинструмент следует плотно прижимать к заготовке с помощью упора. Это необходимо для эффективной и безопасной работы.
- ▶ Используйте подходящую защитную одежду для защиты от горячих опилок.

### **2.4 Дополнительные указания по технике безопасности**

- ▶ Используйте электроинструмент только в технически исправном состоянии.
- ▶ Внесение изменений в конструкцию электроинструмента или его модификация категорически запрещаются.
- ▶ Не используйте тупые или поврежденные пыльные полотна. Их использование сопряжено с повышенным трением, заклиниванием или появлением отдачи.
- ▶ Перед началом работы проверяйте рабочее место на наличие скрытой электропроводки, газо- и водопроводных труб. Открытые металлические части электроинструмента могут стать проводниками электрического тока, если случайно задеть (повредить) электропроводку.
- ▶ Закрепляйте заготовку в надежном зажимном устройстве. Не держите разрезаемую заготовку в руке и не поддерживайте ее ногой.
- ▶ Включайте электроинструмент только в рабочем положении.
- ▶ При резке всегда ведите электроинструмент только от себя.
- ▶ Работайте с умеренным нажимом и с соответствующей скоростью резания, особенно при резке труб большого диаметра. Это необходимо во избежание перегрева электроинструмента.
- ▶ При разрезании трубопроводов убедитесь в том, что они не заполнены жидкой средой. При необходимости предварительно опорожните трубопроводы.
- ▶ При резке трубопроводов держите электроинструмент выше зоны резания.
  - ↳ Защита электроинструмента от попадания влаги не предусмотрена. Вытекающая жидкость может вызвать короткое замыкание в электроинструменте.
- ▶ При резке никогда не погружайте полотно в непроверенные основания. Убедитесь в отсутствии помех над заготовкой и под ней по всей длине реза.
  - ↳ При попадании (нахождении) пыльного полотна на какой-либо предмет возможна отдача электроинструмента.
- ▶ При замене рабочего инструмента надевайте защитные перчатки. Соблюдайте осторожность при замене рабочего инструмента — контакт с ним может привести к порезам и ожогам.
- ▶ При неиспользовании электроинструмента, перед его техническим обслуживанием, заменой рабочих инструментов и на время транспортировки всегда извлекайте аккумулятор.
- ▶ При хранении и транспортировке электроинструмента активируйте его блокировку.
- ▶ Соблюдайте указания изготовителя по обращению и хранению пыльных полотен.
- ▶ Работающий с электроинструментом и находящийся в непосредственной близости лица должны надевать защитные очки, защитную каску, защитные наушники, защитные перчатки и легкий респиратор.
- ▶ Всегда используйте пыльное полотно подходящей длины. При выполнении полного хода пыльное полотно должно выступать из заготовки.
- ▶ Чтобы во время работы не затекали руки, время от времени делайте упражнения для расслабления и разминки пальцев.
- ▶ Запрещается прямой визуальный контакт со светодиодной подсветкой электроинструмента! Не светите в лицо другим людям — опасность временного ослепления!



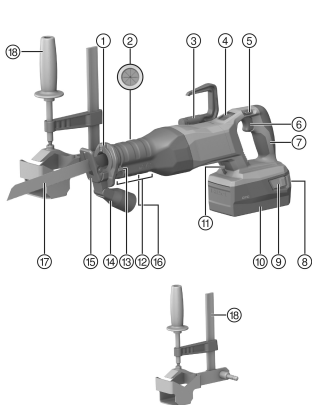
- ▶ Осколки материала могут травмировать тело и глаза. Используйте средства индивидуальной защиты и всегда надевайте защитные очки и защитные перчатки.
- ▶ При изготовлении проемов ограждайте опасную зону с противоположной стороны стены.

## 2.5 Аккуратное обращение с аккумуляторами и их правильное использование

- ▶ Соблюдайте специальные предписания по транспортировке, хранению и эксплуатации литий-ионных аккумуляторов.
- ▶ Храните аккумуляторы на безопасном расстоянии от источников высокой температуры/огня и не подвергайте их прямому воздействию солнечного излучения.
- ▶ Запрещается разбирать, сдавливать, нагревать до температуры свыше 80 °С или сжигать аккумуляторы.
- ▶ Не используйте или не заряжайте аккумуляторы, которые подвергались ударам, падали с высоты более одного метра или получали какие-либо иные повреждения. При возникновении такой ситуации всегда обращайтесь в ближайший **сервисный центр Hilti**.
- ▶ Слишком сильный нагрев аккумулятора (такой, что до него невозможно дотронуться) указывает на его возможный дефект. Поместите изделие в пожаробезопасное место на достаточном расстоянии от воспламеняющихся материалов, где вы сможете контролировать ситуацию, и дайте ему остыть. При возникновении такой ситуации всегда обращайтесь в ближайший **сервисный центр Hilti**.

## 3 Описание

### 3.1 Обзор изделия 1



- ① Зажимной патрон
- ② Крепление под адаптер для резки
- ③ Складной крючок для подвеса
- ④ Предварительный выбор частоты вращения (регулятор)
- ⑤ Кнопка блокировки при транспортировке
- ⑥ Выключатель
- ⑦ Задняя рукоятка
- ⑧ Индикатор уровня заряда аккумулятора
- ⑨ Кнопка деблокировки аккумулятора
- ⑩ Аккумулятор
- ⑪ Проушина
- ⑫ Передняя рукоятка
- ⑬ Рычаг разблокировки полотна
- ⑭ Соединительная муфта всасывающего шланга (США: принадлежность)
- ⑮ Упор
- ⑯ Кнопка фиксации упора
- ⑰ Пильное полотно
- ⑱ Адаптер для резки (принадлежность)

### 3.2 Использование по назначению

Данное изделие представляет собой аккумуляторную сабельную пилу, предназначенную для резки древесных, металлических и полимерных материалов.

Во время работы электроинструмент следует удерживать двумя руками.

- ▶ Для этого изделия используйте только литий-ионные аккумуляторы фирмы **Hilti** серии В 36.
- ▶ Для зарядки этих аккумуляторов используйте только зарядные устройства **Hilti** серии С4/36.

### 3.3 Возможное использование не по назначению

- ▶ Не используйте этот электроинструмент для резки кирпича, бетона, газобетона, натурального камня или керамической плитки.
- ▶ Не используйте этот электроинструмент для резки трубопроводов, заполненных жидкой средой.
- ▶ Не выполняйте резку в непроверенных основаниях.



### 3.4 Индикатор состояния литий-ионного аккумулятора

Уровень заряда литий-ионного аккумулятора и сбой в работе электроинструмента сигнализируются посредством индикатора состояния литий-ионного аккумулятора. Уровень заряда литий-ионного аккумулятора отображается после нажатия одной из двух кнопок (де)блокировки аккумулятора.

Состояние	Значение
Горят четыре светодиода.	Уровень заряда: от 75 % до 100 %
Горят три светодиода.	Уровень заряда: от 50 % до 75 %
Горят два светодиода.	Уровень заряда: от 25 % до 50 %
Горит один светодиод.	Уровень заряда: от 10 % до 25 %
Мигает один светодиод.	Уровень заряда: < 10 %
1 светодиод мигает, электроинструмент не готов к работе.	Аккумулятор перегрет или полностью разряжен.
4 светодиода мигают, электроинструмент не готов к работе.	Электроинструмент перегрет или перегружен.

При нажатом выключателе и в течение макс. 5 с после его отпускания запрос уровня заряда невозможен.

При мигании светодиодов индикатора состояния аккумулятора следуйте указаниям из главы «Помощь при неисправностях».

### 3.5 Комплект поставки

Сабельная пила, руководство по эксплуатации.

Другие системные принадлежности, допущенные для использования с этим изделием, вы можете найти в **Hilti Store** или на сайте [www.hilti.group](http://www.hilti.group).

## 4 Технические данные

	SR 30-A36
Номинальное напряжение	36 В
Масса согласно методу ЕРТА 01	5,2 кг
Частота ходов (Ступень 1)	2 000 об/мин
Частота ходов (Ступень 2)	2 800 об/мин
Длина хода	32 мм
Зажимной патрон	0,5 дюйм
Температура окружающей среды при эксплуатации	-17 °C ... 60 °C
Температура хранения	-20 °C ... 70 °C

### 4.1 Данные по шуму и вибрациям согласно EN 62841

Приводимые здесь значения уровня звукового давления и вибрации были измерены согласно стандартизированной процедуре измерения и могут использоваться для сравнения электроинструментов между собой. Они также подходят для предварительной оценки вредных воздействий.

Указанные данные применимы к основным областям применения электроинструмента. Однако, если электроинструмент используется для других целей, с другими рабочими (сменными) инструментами или в случае его неудовлетворительного технического обслуживания, данные могут быть иными. Вследствие этого в течение всего периода работы электроинструмента возможно значительное увеличение вредных воздействий.

Для точного определения вредных воздействий следует также учитывать промежутки времени, в течение которых электроинструмент находится в выключенном состоянии или работает вхолостую. Вследствие этого в течение всего периода работы электроинструмента возможно заметное уменьшение вредных воздействий.

Примите дополнительные меры безопасности для защиты пользователя от воздействия возникающего шума и/или вибраций, например: техническое обслуживание электроинструмента и рабочих (сменных) инструментов, сохранение тепла рук, правильная организация рабочих процессов.



## Данные о шуме

	SR 30-A36
Уровень звуковой мощности ( $L_{WA}$ )	96 дБ(A)
Погрешность уровня звуковой мощности ( $K_{WA}$ )	5 дБ(A)
Уровень звукового давления ( $L_{pA}$ )	85 дБ(A)
Погрешность уровня звукового давления ( $K_{pA}$ )	5 дБ(A)

## Общие значения вибрации

	SR 30-A36
Значение вибрации при резке ДСП ( $a_{h,B}$ )	22,5 м/с <sup>2</sup>
Погрешность при резке ДСП (К)	3,7 м/с <sup>2</sup>
Значение вибрации при резке деревянных балок ( $a_{h,WB}$ )	20,5 м/с <sup>2</sup>
Погрешность при пилении деревянных балок (К)	3,3 м/с <sup>2</sup>

## 4.2 Аккумулятор

Рабочее напряжение аккумулятора	36 В
Температура окружающей среды при эксплуатации	-17 °C ... 60 °C
Температура хранения	-20 °C ... 40 °C
Температура аккумулятора в начале зарядки	-10 °C ... 45 °C

## 5 Подготовка к работе

### ОСТОРОЖНО

**Опасность травмирования вследствие непреднамеренного пуска!**

- ▶ Перед установкой аккумулятора убедитесь в том, что соответствующий электроинструмент выключен.
- ▶ Прежде чем приступить к регулировке электроинструмента или замене принадлежностей выньте аккумулятор из электроинструмента.

Соблюдайте указания по технике безопасности и предупреждающие указания, приводимые в данном документе и на изделии.

### 5.1 Зарядка аккумулятора

1. Перед зарядкой изучите руководство по эксплуатации зарядного устройства.
2. Убедитесь в том, что контакты аккумулятора и зарядного устройства чистые и сухие.
3. Заряжайте аккумулятор только в допущенном к эксплуатации зарядном устройстве.

### 5.2 Установка аккумулятора

#### ОСТОРОЖНО

**Опасность травмирования вследствие короткого замыкания или падения аккумулятора!**

- ▶ Перед установкой аккумулятора убедитесь в чистоте его контактов и контактов электроинструмента.
  - ▶ Всегда проверяйте, правильно ли зафиксирован аккумулятор.
1. Перед первым вводом в эксплуатацию полностью зарядите аккумулятор.
  2. Установите и зафиксируйте аккумулятор в креплении на электроинструменте (при правильной фиксации слышен характерный щелчок).
  3. Проверьте надежность фиксации аккумулятора.

### 5.3 Извлечение аккумулятора

1. Нажмите кнопки деблокировки аккумулятора.
2. Извлеките аккумулятор из крепления на электроинструменте.



#### 5.4 Монтаж крючка для подвеса (принадлежность) 2

1. Активируйте блокировку при транспортировке.
2. Смонтируйте крючок для подвеса.

#### 5.5 Установка пыльного полотна 3



Используйте только пыльные полотна с хвостовиком 1/2".

1. Активируйте функцию блокировки при транспортировке или отсоедините аккумулятор от электроинструмента.
2. Убедитесь, что хвостовик рабочего инструмента чист и слегка смазан. В случае необходимости очистите и смажьте его.
3. Сдвиньте рычаг блокировки до упора вверх и удерживайте его в этом положении.
4. Вставьте пыльное полотно в зажимной патрон спереди.
5. Отпустите рычаг блокировки для его возврата в исходное положение.
6. Проверьте надежность фиксации пыльного полотна, потянув за него.

#### 5.6 Монтаж соединительной муфты всасывающего шланга (США: принадлежность) 4

1. Вытяните упор.
2. Установите соединительную муфту всасывающего шланга на крепление упора.
3. Полностью вставьте слегка смазанный упор в направляющую.

### 6 Управление



#### ОСТОРОЖНО

**Опасность травмирования вследствие короткого замыкания или падения аккумулятора!**

- ▶ Перед установкой аккумулятора убедитесь в чистоте его контактов и контактов электроинструмента.
- ▶ Всегда проверяйте, правильно ли зафиксирован аккумулятор.

Соблюдайте указания по технике безопасности и предупреждающие указания, приводимые в данном документе и на изделии.

#### 6.1 Ведение пилы 5

1. Удерживайте пилу за предусмотренные для этого рукоятки.
2. Подведите пилу вплотную к заготовке.
3. При пилении ведите пилу вперед и назад.
  - ↳ В случае прижима пилы к заготовке возможна поломка пыльного полотна и получение травм.

#### 6.2 Резка 6



#### ПРЕДУПРЕЖДЕНИЕ

**Опасность травмирования вследствие неисправного крючка для подвеса!** Падение электроинструмента может стать причиной вашего травмирования и травмирования окружающих.

- ▶ Перед началом работ убедитесь в том, что крючок для подвеса надежно закреплен и не имеет повреждений.

1. Деактивируйте блокировку при транспортировке и нажмите выключатель.
  - ↳ На изображениях показаны различные возможности эффективного ведения пилы.
2. После завершения резки отпустите выключатель.
3. Активируйте блокировку при транспортировке.



## 6.3 Извлечение пыльного полотна 7

### ОСТОРОЖНО

**Опасность травмирования!** Рабочий инструмент может нагреваться и/или иметь острые кромки.

- ▶ При смене рабочего инструмента пользуйтесь защитными перчатками.
  - ▶ Категорически запрещается укладывать нагретый рабочий инструмент на воспламеняющиеся основания.
1. Активируйте функцию блокировки при транспортировке или отсоедините аккумулятор от электроинструмента.
  2. Сдвиньте рычаг блокировки до упора вверх и удерживайте его в этом положении.
  3. Извлеките пыльное полотно из зажимного патрона движением вперед.
  4. Отпустите рычаг блокировки для его возврата в исходное положение.

## 7 Уход и техническое обслуживание

### ПРЕДУПРЕЖДЕНИЕ

**Опасность травмирования при установленном аккумуляторе !**

- ▶ Перед проведением любых работ по уходу и обслуживанию всегда извлекайте аккумулятор!

#### Уход за электроинструментом

- Осторожно удаляйте налипшую грязь.
- Осторожно очищайте вентиляционные прорези сухой щеткой.
- Очищайте корпус только с помощью слегка увлажненной ткани. Не используйте средства по уходу с содержанием силикона, так как они могут повредить пластмассовые детали.
- Регулярно очищайте зажимной патрон снаружи и смазывайте его. Используйте для этого аэрозольную смазку **Hilti** 314648.

#### Уход за литий-ионными аккумуляторами

- Аккумулятор должен быть чистым, без следов масла и смазки.
- Очищайте корпус только с помощью слегка увлажненной ткани. Не используйте средства по уходу с содержанием силикона, так как они могут повредить пластмассовые детали.
- Не допускайте попадания влаги внутрь электроинструмента.

#### Техническое обслуживание

- Регулярно проверяйте все видимые части электроинструмента на отсутствие повреждений, а элементы управления — на исправное функционирование.
- При повреждениях и/или функциональных сбоях не используйте электроинструмент. Сразу сдавайте его в сервисный центр **Hilti** для ремонта.
- После ухода за электроинструментом и его технического обслуживания установите все защитные приспособления на место и проверьте их исправное функционирование.



Для обеспечения безопасной эксплуатации используйте только оригинальные запасные части и расходные материалы. Допущенные нами запасные части, расходные материалы и принадлежности для данного изделия вы можете найти в **Hilti Store** или смотрите на [www.hilti.group](http://www.hilti.group).

## 7.1 Замена упора 3



При необходимости упор можно заменить.

1. Извлеките аккумулятор.
2. Извлеките пыльное полотно. → страница 112
3. Нажмите красную кнопку фиксации упора на нижней стороне сабельной пилы.
4. Вытяните упор.
5. Нажмите красную кнопку фиксации упора на нижней стороне сабельной пилы.
6. Полностью вставьте слегка смазанный упор в направляющую.
7. Убедитесь в надежной фиксации упора.



## 8 Транспортировка и хранение аккумуляторных электроинструментов

### Транспортировка

#### ОСТОРОЖНО

#### Непреднамеренное включение в ходе транспортировки !

- ▶ При транспортировке своих электроинструментов всегда отсоединяйте от них аккумуляторы!
- ▶ Извлеките аккумуляторы.
- ▶ Категорически запрещается транспортировать аккумуляторы без упаковки (бестарным способом).
- ▶ После продолжительной транспортировки проверяйте электроинструмент и аккумуляторы перед использованием на отсутствие повреждений.

### Хранение

#### ОСТОРОЖНО

#### Непреднамеренное повреждение вследствие неисправных или протекающих аккумуляторов !

- ▶ При хранении своих электроинструментов всегда отсоединяйте от них аккумуляторы!
- ▶ По возможности храните электроинструмент и аккумуляторы в сухом и прохладном месте.
- ▶ Никогда не оставляйте аккумуляторы на солнце, на нагревательных/отопительных элементах или за стеклом.
- ▶ Храните электроинструмент и аккумуляторы в сухом виде в недоступном для детей и других лиц, не допущенных к работе с электроинструментом, месте.
- ▶ После длительного хранения перед использованием проверяйте электроинструмент и аккумуляторы на отсутствие повреждений.

## 9 Помощь при неисправностях

В случае неисправностей, которые не указаны в этой таблице или которые вы не можете устранить самостоятельно, обращайтесь в ближайший сервисный центр Hilti.

### 9.1 Сабельная пила не работает

Неисправность	Возможная причина	Решение
Электроинструмент не включается.	Аккумулятор вставлен не полностью.	▶ Зафиксируйте аккумулятор с характерным щелчком.
	Аккумулятор разряжен.	▶ Зарядите аккумулятор.
	Кнопка блокировки при транспортировке не нажата.	▶ Нажмите кнопку блокировки при транспортировке.
Пильное полотно не вынимается из зажимного патрона.	Рычаг блокировки не нажат до упора.	▶ Нажмите рычаг блокировки до упора и извлеките пильное полотно.
	Зажимной патрон засорен опилками.	▶ Удалите опилки и регулярно очищайте зажимной патрон снаружи. Уход за электроинструментом. → страница 112


### 9.2 Сабельная пила исправно работает

Неисправность	Возможная причина	Решение
Электроинструмент работает не на полную мощность.	Не полностью нажат выключатель	▶ Нажмите выключатель до упора.
	Аккумулятор разряжен	▶ Замените аккумулятор и зарядите разряженный аккумулятор.
Пильное полотно не вынимается из зажимного патрона.	Рычаг блокировки не нажат до упора.	▶ Нажмите рычаг блокировки до упора и извлеките пильное полотно.



## 10 Утилизация

---

 Большинство материалов, из которых изготовлены изделия **Hilti**, подлежит вторичной переработке. Перед утилизацией следует тщательно рассортировать материалы (для удобства их последующей переработки). Во многих странах фирма **Hilti** уже организовала прием бывших в использовании электрических и электронных устройств для утилизации. Дополнительную информацию по этому вопросу можно получить в отделе по обслуживанию клиентов или у консультантов по продажам фирмы **Hilti**.

### Утилизация аккумуляторов

Вследствие выхода газов или жидкостей при неправильной утилизации аккумуляторов возможна угроза для здоровья.

- ▶ Не пересылайте поврежденные аккумуляторы!
- ▶ Закрывайте аккумуляторные контакты не проводящим ток материалом, чтобы избежать коротких замыканий.
- ▶ Утилизируйте аккумуляторы так, чтобы исключить их попадание в руки детей.
- ▶ Утилизируйте аккумулятор через ближайший **Hilti Store** или обратитесь в специализированную фирму по утилизации.



- ▶ Не выбрасывайте электрические инструменты, электронные устройства/приборы и аккумуляторы вместе с обычным мусором!
- 

## 11 RoHS (Директива об ограничении применения опасных веществ)

---

По этой ссылке доступна таблица опасных веществ: [qr.hilti.com/r5962277](http://qr.hilti.com/r5962277).

Ссылку в виде QR-кода на таблицу опасных веществ согласно директиве RoHS см. в конце этого документа.

## 12 Гарантия производителя

---

- ▶ С вопросами относительно гарантийных условий обращайтесь в ближайшее представительство **Hilti**.





# 1 Інформація про документацію

## 1.1 Інформація про цей документ

- Перш ніж розпочинати роботу з інструментом, прочитайте цей документ. Це є передумовою безпечної роботи та відсутності несправностей під час застосування інструмента.
- Дотримуйтеся попереджувальних вказівок та вказівок з техніки безпеки, наведених у цьому документі та на корпусі інструмента.
- Завжди зберігайте інструкцію з експлуатації поблизу інструмента та передавайте інструмент іншим особам лише разом з інструкцією.

## 1.2 Пояснення символів

### 1.2.1 Попереджувальні вказівки

Попереджувальні вказівки інформують користувача про фактори небезпеки, пов'язані із застосуванням інструмента. Використовуються такі сигнальні слова:

#### НЕБЕЗПЕКА

#### НЕБЕЗПЕКА !

- ▶ Указує на безпосередню небезпеку, що може призвести до отримання тяжких тілесних ушкоджень або навіть до смерті.

#### ПОПЕРЕДЖЕННЯ

#### ПОПЕРЕДЖЕННЯ !

- ▶ Указує на потенційно небезпечну ситуацію, яка може призвести до отримання тяжких тілесних ушкоджень або навіть смерті.





#### ОБЕРЕЖНО

#### ОБЕРЕЖНО !

- ▶ Указує на потенційно небезпечну ситуацію, яка може призвести до отримання легких тілесних ушкоджень та до матеріальних збитків.


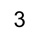


### 1.2.2 Символи у документі

У цьому документі використовуються такі символи:

	Перед використанням прочитайте інструкцію з експлуатації
	Указівки щодо експлуатації та інша корисна інформація
	Поводження з матеріалами, придатними для вторинної переробки
	Не викидайте електроінструменти і акумуляторні батареї у баки для побутового сміття

### 1.2.3 Символи на ілюстраціях

На ілюстраціях використовуються такі символи:

	Цифрами позначаються відповідні ілюстрації, наведені на початку цієї інструкції
	Нумерація відображає послідовність робочих кроків на ілюстраціях та може відрізнятися від нумерації у тексті
	Номера позицій, наведені <b>на оглядовій ілюстрації</b> , відповідають номерам у легенді, що представлена у розділі « <b>Огляд продукту</b> »
	Цей символ позначає аспекти, на які слід звернути особливу увагу під час застосування інструмента.



### 1.3 Символи, що обумовлені типом інструмента

#### 1.3.1 Символи на інструменті

На інструменті можуть бути наведені такі символи:

	Постійний струм
$n_0$	Кількість робочих ходів у холостому режимі
	Бездротова передача даних
Li-Ion	Літій-іонна акумуляторна батарея
	Використовуваний тип літій-іонної акумуляторної батареї Hilti. Дотримуйтеся вказівок, наведених у розділі «Використання за призначенням».

### 1.4 Інформація про інструмент

Інструменти призначені для професійного використання, а тому їхню експлуатацію, технічне обслуговування та ремонт слід доручати лише авторизованому персоналу зі спеціальною підготовкою. Цей персонал повинен бути спеціально проінструктований про можливі ризики. Інструмент та допоміжне приладдя можуть стати джерелом небезпеки у разі їхнього неправильного застосування некваліфікованим персоналом або у разі використання не за призначенням.

Тип та серійний номер зазначені на заводській табличці.

- ▶ Перепишіть серійний номер у наведену нижче таблицю. При оформленні запитів до нашого представництва та до сервісної служби вказуйте інформацію про інструмент.

#### Інформація про інструмент

Шабельна пилка	SR 30-A36
Версія	01
Серійний номер	

### 1.5 Сертифікат відповідності

Зі всією належною відповідальністю заявляємо, що описаний у цьому документі інструмент відповідає діючим директивам і стандартам. Копія сертифіката відповідності наведена у кінці цього документа.

Технічна документація зазначена нижче:

Hilti Entwicklungsgesellschaft mbH | Zulassung Geräte | Hiltistraße 6 | 86916 Kaufering, DE

## 2 Безпека

### 2.1 Загальні вказівки з техніки безпеки при роботі з електроінструментами

**⚠ ПОПЕРЕДЖЕННЯ! Уважно прочитайте усі вказівки та інструкції з техніки безпеки, ознайомтеся з малюнками та технічними даними цього електроінструмента.** Щонайменше недотримання наведених нижче вказівок може призвести до ураження електричним струмом, займання та/або отримання тяжких травм.

**Збережіть всі інструкції та вказівки з техніки безпеки – вони можуть знадобитися Вам у майбутньому.**

Термін «електроінструмент», який використовується у вказівках з техніки безпеки, позначає як електроінструменти, що працюють від електричної мережі (із кабелем живлення), так і електроінструменти, що працюють від акумуляторної батареї (без кабелю живлення).

#### Безпека на робочому місці

- ▶ **Дбайте про чистоту та достатнє освітлення робочого місця.** Безлад на робочому місці та недостатнє освітлення можуть стати причиною нещасних випадків.
- ▶ **Не працюйте з електроінструментом у вибухонебезпечному середовищі, що містить легкозаймисті рідини, гази або пил.** Під час роботи електроінструментів утворюються іскри, від яких можуть зайнятися легкозаймисті випари або пил.
- ▶ **Подбайте про те, щоб під час використання електроінструмента поблизу не було дітей та сторонніх осіб.** Щонайменше відволікання може призвести до втрати контролю над інструментом.



## Електрична безпека

- ▶ **Штепсельна вилка електроінструмента повинна підходити до розетки живлення. Забороняється вносити зміни до конструкції штепсельної вилки. Не дозволяється застосовувати переносні штепсельні вилки в електроінструментах із захисним заземленням.** У разі використання оригінальних штепсельних вилок і відповідних розеток знижується ризик ураження електричним струмом.
- ▶ **Під час роботи намагайтеся не торкатися заземлених поверхонь, наприклад труб, радіаторів опалення, печей та холодильників.** Якщо Ваше тіло перебуває в контакті із системою заземлення, існує підвищений ризик ураження електричним струмом.
- ▶ **Захищайте електроінструменти від дощу та вологи.** У разі проникнення води в електроінструмент підвищується ризик ураження електричним струмом.
- ▶ **Використовуйте з'єднувальний кабель тільки за призначенням, не переносьте за нього електроінструмент, не користуйтеся ним для підвішування інструмента та не тримайтеся за нього, дістаючи штепсельну вилку з розетки. Оберегайте з'єднувальний кабель від впливу високих температур, від дії мастил та контакту з гострими кромками або рухомими частинами інструмента.** Пошкоджені або заплутані з'єднувальні кабелі підвищують ризик ураження електричним струмом.
- ▶ **Працюючи з електроінструментом під відкритим небом, використовуйте лише подовжувальний кабель, придатний для зовнішнього застосування.** Використання подовжувального кабелю, призначеного для зовнішнього застосування, зменшує ризик ураження електричним струмом.
- ▶ **Якщо неможливо уникнути експлуатації електроінструмента за умов підвищеної вологості, використовуйте автомат захисту від струму витoku.** Використання автомата захисту від струму витoku зменшує ризик ураження електричним струмом.

## Безпека персоналу

- ▶ **Будьте уважними, зосередьтеся на виконуваній операції, до роботи з електроінструментом ставтеся серйозно. Не користуйтеся електроінструментом, якщо Ви втомлені або перебуваєте під дією наркотичних речовин, алкоголю або лікарських засобів.** Під час роботи з електроінструментом не відволікайтеся ні на мить, оскільки це може призвести до отримання серйозних травм.
- ▶ **Використовуйте засоби індивідуального захисту і завжди надягайте захисні окуляри.** Використання засобів індивідуального захисту, наприклад респіратор, захисного взуття на нековзній підшві, захисного шолома або шумозахисних навушників – залежно від різновиду електроінструмента та особливостей його застосування – зменшує ризик травмування.
- ▶ **Уникайте випадкового вмикання електроінструмента. Переконайтеся в тому, що електроінструмент вимкнений, перш ніж вставляти штепсельну вилку в розетку живлення та/або приєднувати акумулятор, піднімати електроінструмент або переносити його.** Якщо під час перенесення електроінструмента тримати палець на вимикачі або приєднувати інструмент до джерела живлення увімкненим, це може призвести до нещасного випадку.
- ▶ **Перш ніж вмикати електроінструмент, від'єднайте від нього все налагоджувальне приладдя або гайкові ключі.** Приладдя або ключ, що знаходяться в обертовому вузлі інструмента, можуть стати причиною отримання травм.
- ▶ **Уникайте виконання роботи в незручній позі. Під час виконання робіт ставайте в стійку позу і намагайтеся повсякчас утримувати рівновагу.** Це дозволить Вам більш упевнено контролювати електроінструмент у разі виникнення несподіваних обставин.
- ▶ **Надягайте відповідний робочий одяг. Не надягайте для роботи занадто просторий одяг та прикраси. Слідкуйте за тим, щоб волосся, одяг та робочі рукавиці знаходилися подалі від обертових частин інструмента.** Просторий одяг, прикраси або довге волосся можуть бути захоплені рухомими частинами інструмента.
- ▶ **Якщо передбачена можливість установа системи пиловидалення та пилозбірників, обов'язково переконайтеся в тому, що вони правильно приєднані й використовуються належним чином.** Застосування системи видалення пилу дозволяє зменшити негативний вплив пилу на персонал.
- ▶ **Не можна нехтувати правилами безпеки під час роботи з електроінструментами навіть у тому випадку, коди Ви добре знайомі з тим чи іншим електроінструментом.** Якщо користуватися інструментом необережно, лише малої частки секунди може бути достатньо для отримання тяжких травм.

## Використання електроінструмента та належний догляд за ним

- ▶ **Не допускайте перенавантаження інструмента. Завжди використовуйте електроінструмент, призначений для виконання відповідної роботи.** При використанні належного електроінструмента забезпечуються більш висока якість та безпека виконання робіт у вказаному діапазоні продуктивності.



- ▶ **Не використовуйте електроінструмент із пошкодженим вимикачем.** Електроінструмент, який неможливо вмикати або вимикати, є небезпечним і підлягає ремонту.
- ▶ **Перш ніж розпочинати налаштування інструмента, виконувати заміну приладдя або робити перерву в роботі, не забудьте вийняти штепсельну вилку з розетки та/або вийняти з інструмента змінну акумуляторну батарею.** Такий запобіжний захід допоможе уникнути випадкового вмикання електроінструмента.
- ▶ **Електроінструменти, що не використовуються, зберігайте в недоступному для дітей місці. Не дозволяйте користуватися інструментом особам, які не ознайомлені з ним або не прочитали ці вказівки.** У руках недосвідчених людей електроінструменти являють собою серйозну небезпеку.
- ▶ **Електроінструменти та їх приладдя потребують дбайливого догляду. Ретельно перевіряйте, чи бездоганно працюють та чи не заклинюють рухомі частини, чи не зламалися або не зазнали інших пошкоджень деталі, від яких залежить справна робота електроінструмента. Перед початком роботи з інструментом пошкоджені деталі слід відремонтувати.** Багатьох нещасних випадків можна уникнути за умови належного технічного обслуговування електроінструментів.
- ▶ **Слідкуйте за тим, щоб ріжучі інструменти завжди залишалися чистими та належним чином заточеними.** Дбайливо доглянутий ріжучий інструмент із гострими різальними кромками не так часто заклинюється, і з ним легше працювати.
- ▶ **Під час експлуатації електроінструмента, приладдя до нього, робочих інструментів тощо дотримуйтеся наведених у цьому документі вказівок.** При цьому завжди враховуйте умови в місці виконання робіт та дії, яких вимагає поставлене завдання. Використання електроінструментів не за призначенням може призвести до виникнення небезпечних ситуацій.
- ▶ **Слідкуйте за тим, щоб поверхні рукояток були чистими та сухими, та не допускайте їхнього забруднення мастилом.** Якщо поверхні рукояток слизькі, це унеможливило впевнене контролювання електроінструмента у непередбачених ситуаціях.

#### **Використання акумуляторного інструмента та належний догляд за ним**

- ▶ **Для заряджання акумуляторних батарей застосовуйте лише зарядні пристрої, рекомендовані виробником.** Зарядний пристрій, придатний для заряджання акумуляторних батарей певного типу, може спричинити пожежу, якщо його застосовувати для заряджання акумуляторних батарей інших типів.
- ▶ **Для живлення електроінструментів застосовуйте лише спеціально призначені для цього акумуляторні батареї.** Застосування інших акумуляторних батарей може призвести до отримання травм і виникнення пожежі.
- ▶ **Акумуляторну батарею, яка не використовується, тримайте подалі від канцелярських скріпок, монет, ключів, цвяхів, гвинтів та інших дрібних металевих предметів, які могли б спричинити коротке замикання її контактів.** Коротке замикання контактів акумуляторної батареї може призвести до отримання опіків або до виникнення пожежі.
- ▶ **У разі неправильного застосування з акумуляторної батареї може пролитися рідина. Уникайте контакту з нею. У разі випадкового контакту цієї рідини зі шкірою негайно промийте уражене місце достатньою кількістю води. Якщо рідина потрапила в очі, рекомендується додатково звернутися по лікарську допомогу.** Пролита з акумуляторної батареї рідина може призвести до подразнення шкіри або отримання опіків.
- ▶ **Не використовуйте акумуляторну батарею, якщо вона пошкоджена або якщо її конструкція була змінена.** Пошкоджені або модифіковані акумуляторні батареї вкрай ненадійні та становлять небезпеку пожежі, вибуху або травмування.
- ▶ **Не піддавайте акумуляторну батарею впливу вогню або високих температур.** Вогонь або температури понад 130 °C (265 °F) можуть спричинити вибух.
- ▶ **Дотримуйтеся вказівок щодо заряджання. Ніколи не заряджайте акумуляторну батарею або акумуляторний інструмент в умовах, що виходять за межі температурного діапазону, зазначеного в інструкції з експлуатації.** Неналежне заряджання або заряджання за межами зазначеного температурного діапазону може призвести до руйнування акумуляторної батареї та підвищує ризик займання.

#### **Сервісне обслуговування**

- ▶ **Доручайте ремонт електроінструмента лише кваліфікованому персоналу зі спеціальною підготовкою за умови використання тільки оригінальних запасних частин.** Це забезпечить функціональність інструмента.
- ▶ **Забороняється здійснювати технічне обслуговування пошкоджених акумуляторних батарей. У будь-яких випадках технічне обслуговування акумуляторних батарей повинен здійснювати виробник або уповноважена служба технічного обслуговування.**



## 2.2 Додаткові вказівки з техніки безпеки під час використання пилок із маятниковим ходом пиляльного полотна

- ▶ Якщо під час виконання робіт змінний робочий інструмент може натрапити на приховану електропроводку, утримуйте інструмент за ізольовані поверхні рукояток. У разі контакту з електричним дротом, який знаходиться під напругою, металеві деталі інструмента також потраплять під напругу, а це може призвести до ураження електричним струмом.
- ▶ Закріпіть оброблюваний об'єкт на стійкій поверхні за допомогою лещат або іншим надійним способом. Якщо утримувати оброблюваний об'єкт рукою або притискати його до тіла, це не гарантує надійного закріплення та може призвести до втрати контролю.

## 2.3 Додаткові вказівки з техніки безпеки під час пиляння

### Безпека персоналу

- ▶ Не наближайте руки до робочої зони та до пиляльного полотна. Утримуйте інструмент другою рукою за додаткову рукоятку або за корпус двигуна. Якщо тримати інструмент обома руками, виключається ризик їх травмування пиляльним полотном.
- ▶ Користуйтеся лише повністю справним інструментом.
- ▶ Вносити будь-які зміни до конструкції інструмента заборонено.
- ▶ Під час заміни змінного робочого інструмента також користуйтеся захисними рукавицями. Контакт зі змінним робочим інструментом може призвести до отримання порізів або опіків.
- ▶ Перш ніж розпочинати роботу, з'ясуйте клас небезпеки пилу, що при цьому буде утворюватися. Використовуйте будівельний пиросос затвердженого класу захисту, що відповідає місцевим вимогам щодо захисту від пилу. Пил, що містить такі матеріали, як фарби із вмістом свинцю, тирсу деяких порід деревини, бетон, цеглу, кварцові гірські породи і мінерали, а також метал, може бути шкідливим для здоров'я.
- ▶ Подбайте про належну вентиляцію робочого місця та користуйтеся респіратором, який підходить до матеріалу, що обробляється. Контакт із таким пилом або його вдихання може викликати алергічні реакції та/або захворювання дихальних шляхів у користувача інструмента та у людей, які знаходяться поруч. До обробки матеріалів, що містять азбест, допускаються лише фахівці зі спеціальною підготовкою.
- ▶ Не беріться за нижню частину оброблюваної деталі.
- ▶ Не утримуйте розпилювану деталь у руці та не підпірайте її ногою. Закріпіть оброблювану деталь на стійкій основі.
- ▶ Завжди надійно тримайте інструмент обома руками за передбачені для цього рукоятки, вибравши таке положення тіла і рук, у якому Ви зможете амортизувати можливу віддачу.
- ▶ Слідкуйте за тим, щоб рукоятки були сухими та чистими.
- ▶ Завжди перебувайте збоку від пиляльного полотна – ніколи не розміщуйте його безпосередньо перед собою. У разі виникнення віддачі пилку може з силою відкинути назад!
- ▶ Якщо пиляльне полотно защемлене або якщо Ви перериваєте роботу, вимкніть пилку та надійно утримуйте її, доки пиляльне полотно не зупиниться повністю. Поки пиляльне полотно продовжує рухатись, не тягніть пилку до себе та не намагайтеся дістати її з оброблюваної деталі – інакше це може призвести до віддачі.
- ▶ Перед повторним вмиканням пилки, яка залишилася в оброблюваній деталі, відцентруйте пиляльне полотно у пропили та перевірте, чи не застрягли зубці пиляльного полотна в деталі.
- ▶ Будьте надзвичайно обережні під час пиляння стін або інших об'єктів, протилежну сторону яких Ви не можете бачити. Під час урізного пиляння може виникнути віддача через блокування пиляльного полотна прихованими у матеріалі об'єктами.

### Електрична безпека

- ▶ Перед початком роботи перевіряйте робоче місце на наявність прихованих електричних кабелів, газових та водопровідних труб. Якщо Ви під час роботи випадково пошкодите електричні кабелі, контакт з відкритими металевими деталями інструмента може спричинити ураження електричним струмом.
- ▶ Якщо під час виконання робіт змінний робочий інструмент може натрапити на приховану електропроводку, утримуйте інструмент за ізольовані поверхні рукояток. У разі контакту з електричним дротом, який знаходиться під напругою, металеві деталі інструмента також потраплять під напругу, а це може призвести до ураження електричним струмом.

### Належне використання електроінструментів та дбайливий догляд за ними

- ▶ Не використовуйте затуплене або пошкоджене пиляльне полотно. Це призводить до сильного тертя, защемлення пиляльного полотна або до віддачі.
- ▶ Дотримуйтеся вказівок виробника щодо застосування та зберігання пиляльного полотна.



- ▶ Інструмент слід притискати до оброблюваної деталі за допомогою притискного башмака. Завдяки цьому умови роботи будуть оптимальними та безпечними.
- ▶ Носіть відповідний захисний одяг, щоб захистити себе від гарячої стружки.

## 2.4 Додаткові вказівки з техніки безпеки

- ▶ Користуйтеся лише повністю справним інструментом.
- ▶ Вносити будь-які зміни до конструкції інструмента заборонено.
- ▶ Не використовуйте затуплене або пошкоджене пиляльне полотно. Це призводить до сильного тертя, заземлення пиляльного полотна або до віддачі.
- ▶ Перед початком роботи перевіряйте робоче місце на наявність прихованих електричних кабелів, газових та водопровідних труб. Якщо Ви під час роботи випадково пошкодите електричні кабелі, контакт з відкритими металевими деталями інструмента може спричинити ураження електричним струмом.
- ▶ Закріпіть оброблювану деталь на стійкій основі. Не утримуйте розпилювану деталь у руці та не підпирайте її ногою.
- ▶ Умкніть інструмент лише після того, як Ви встановили його у робоче положення.
- ▶ Під час роботи завжди працюйте інструментом «від себе».
- ▶ Виконуйте роботу із помірним натисканням та відповідною швидкістю різання; особливо це стосується труб великого діаметра. Це допоможе уникнути перегрівання інструмента.
- ▶ Під час наскрізного пиляння трубопроводів переконайтеся, що у трубопроводі відсутня рідина. У разі наявності рідини її слід видалити.
- ▶ Під час наскрізного пиляння трубопроводів тримайте інструмент над трубопроводом, який Ви пиляєте.
  - ↳ Інструмент не захищений від потрапляння вологи всередину. Рідина, що витікає, може спричинити коротке замикання в електричній системі інструмента.
- ▶ Ніколи не здійснюйте різання незнайомих матеріалів; крім того, на траєкторії пиляння під інструментом та над ним не повинно бути жодних перешкод.
  - ↳ Якщо пиляльне полотно натрапить на сторонній предмет, може виникнути віддача.
- ▶ Під час заміни змінного робочого інструмента також користуйтеся захисними рукавицями. Контакт зі змінним робочим інструментом може призвести до отримання порізів або опіків.
- ▶ Завжди діставайте з інструмента акумуляторну батарею під час перерв у роботі, перед початком технічного обслуговування, під час заміни робочих інструментів або під час перевезення.
- ▶ На час транспортування або зберігання інструмента слід активувати транспортний фіксатор.
- ▶ Дотримуйтеся вказівок виробника щодо застосування та зберігання пиляльного полотна.
- ▶ Під час роботи з інструментом сам користувач, а також особи, що перебувають безпосередньо в місці проведення робіт, повинні використовувати відповідні захисні окуляри, шолом, навушники, робочі рукавиці та легкий респіратор.
- ▶ Завжди використовуйте пиляльне полотно належної довжини. Пиляльне полотно повинне виступати з протилежного боку оброблюваної деталі протягом усього робочого ходу.
- ▶ Щоб під час роботи у Вас не затерпали руки, робіть перерви та виконуйте вправи на розслаблення і розминання пальців з метою покращення в них кровообігу.
- ▶ Не дивіться безпосередньо на світлодіодне підсвічування та не направляйте його в обличчя іншим особам. Існує небезпека засліплення.
- ▶ Уламки матеріалу можуть завдати поранень або пошкодити очі. Використовуйте засоби індивідуального захисту і завжди надягайте захисні окуляри та захисні рукавиці.
- ▶ Під час наскрізної обробки укріпіть відповідну ділянку поверхні з протилежного боку деталі.

## 2.5 Застосування акумуляторних батарей та дбайливий догляд за ними

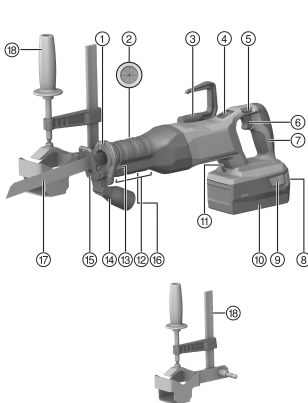
- ▶ Дотримуйтеся також особливих вказівок щодо транспортування, складського зберігання та застосування літій-іонних акумуляторних батарей.
- ▶ Не піддавайте акумуляторні батареї впливу високих температур, прямих сонячних променів та відкритого вогню.
- ▶ Акумуляторні батареї забороняється розбирати, роздавлювати, нагрівати до температури понад 80 °C або спалювати.
- ▶ Не використовуйте та не заряджайте акумуляторні батареї, які зазнали впливу ударного навантаження, впали з висоти більше одного метра або були пошкоджені іншим чином. У разі виникнення такої ситуації завжди звертайтеся до **сервісної служби** компанії **Hilti**.



- ▶ Якщо акумуляторна батарея гаряча на дотик, вона може бути пошкоджена. Залиште інструмент у захищеному від вогню місці на достатній відстані від горючих матеріалів, де за ним можна спостерігати, і дайте йому охолонути. У разі виникнення такої ситуації завжди звертайтеся до **сервісної служби** компанії **Hilti**.

### 3 Опис

#### 3.1 Огляд продукту



- ① Затискний патрон
- ② Кріплення для адаптера різання
- ③ Відкидний гачок для кріплення
- ④ Попереднє налаштування частоти обертання
- ⑤ Транспортний фіксатор
- ⑥ Вимикач
- ⑦ Задня рукоятка
- ⑧ Індикатор стану заряду акумуляторної батареї
- ⑨ Деблокувальна кнопка акумуляторної батареї
- ⑩ Акумуляторна батарея
- ⑪ Вушко для захисного кріплення
- ⑫ Область передньої ручки
- ⑬ Важіль для деблокування пиляльного полотна
- ⑭ З'єднувальна муфта (США: приладдя)
- ⑮ Притискний башмак
- ⑯ Кнопка розблокування притискного башмака
- ⑰ Пиляльне полотно
- ⑱ Адаптер різання (приладдя)

#### 3.2 Використання за призначенням

Описаний у цьому документі інструмент являє собою акумуляторну шабельну пилку. Інструмент призначений для розпилювання деревини та подібних до неї матеріалів, а також металу та пластику. Під час використання інструмент слід утримувати обома руками.

- ▶ Застосовуйте із цим інструментом лише літій-іонні акумуляторні батареї **Hilti** типу В 36.
- ▶ Для заряджання цих акумуляторних батарей використовуйте тільки зарядні пристрої **Hilti** типу С4/36.

#### 3.3 Можливі варіанти неналежного використання

- ▶ Забороняється здійснювати різання цегли, бетону, газобетону, природного каменю або кахлі.
- ▶ Не використовуйте інструмент для пиляння трубопроводів, які містять рідину.
- ▶ Не пиляйте незнайомі матеріали.

#### 3.4 Індикатор літій-іонної акумуляторної батареї

Стан заряду літій-іонної акумуляторної батареї та несправності інструмента позначаються за допомогою індикатора літій-іонної акумуляторної батареї. Щоб відобразити стан заряду літій-іонної акумуляторної батареї, слід злегка натиснути на одну з деблокувальних кнопок акумуляторної батареї.

Стан	Значення
Горять 4 світлодіоди.	Стан заряду: від 75 % до 100 %
Горять 3 світлодіоди.	Стан заряду: від 50 % до 75 %
Горять 2 світлодіоди.	Стан заряду: від 25 % до 50 %
Горить 1 світлодіод.	Стан заряду: від 10 % до 25 %
Мигає 1 світлодіод.	Стан заряду: < 10 %



Стан	Значення
1 світлодіод мигає, інструмент не готовий до роботи.	Акумуляторна батарея перегрілася або повністю розряджена.
4 світлодіоди мигають, інструмент не готовий до роботи.	Інструмент перенавантажений або перегрітий.

**i** При натиснутому вимикачі та протягом 5 секунд після його відпускання перевірка стану заряду неможлива.

Якщо світлодіодні індикатори акумуляторної батареї мигають, будь ласка, виконайте вказівки, наведені в розділі «Допомога у разі виникнення несправностей».

### 3.5 Комплект постачання

Шабельна пилка, інструкція з експлуатації.

Інше приладдя, допущене до експлуатації з Вашим інструментом, Ви можете придбати у **Hilti Store** або на веб-сайті **www.hilti.group**.

## 4 Технічні дані

	SR 30-A36
Номінальна напруга	36 В
Маса згідно з процедурою ЕРТА 01	5,2 кг
Кількість робочих ходів (Ступінь 1)	2 000 об/хв
Кількість робочих ходів (Ступінь 2)	2 800 об/хв
Довжина робочого ходу	32 мм
Затискний патрон	0,5 дюйм
Температура навколишнього середовища під час роботи	-17 °C ... 60 °C
Температура зберігання	-20 °C ... 70 °C

### 4.1 Дані про шум та значення вібрації, виміряні згідно зі стандартом EN 62841

Наведені у цих рекомендаціях значення звукового тиску та вібрації були виміряні згідно з установленою процедурою вимірювання та можуть використовуватися для порівняння електроінструментів. Вони також придатні для попереднього оцінювання шумового та вібраційного навантаження.

Наведені дані обумовлюють переважні сфери застосування електроінструмента. Однак якщо Ви використовуєте його не за призначенням, застосовуєте нестандартне приладдя або неналежним чином здійснюєте догляд за інструментом, ці дані можуть відрізнятися від вказаних значень. Це може призвести до помітного збільшення шумового та вібраційного навантаження протягом усього робочого часу.

Для більш точної оцінки шумового та вібраційного навантаження необхідно враховувати також проміжний час, протягом яких інструмент залишається вимкненим або працює на холостому ходу. Це може значно зменшити вібраційне та шумове навантаження протягом усього робочого часу.

Необхідно також вживати додаткових заходів безпеки з метою захисту працівників від дії шуму та/або вібрації, зокрема: проводити своєчасне технічне обслуговування електроінструмента та змінних робочих інструментів до нього, утримувати руки у теплі, належним чином організувати робочий процес.

#### Дані про шум

	SR 30-A36
Рівень шумової потужності ( $L_{WA}$ )	96 дБ(A)
Похибка для рівня шумової потужності ( $K_{WA}$ )	5 дБ(A)
Рівень звукового тиску ( $L_{pA}$ )	85 дБ(A)
Похибка для рівня звукового тиску ( $K_{pA}$ )	5 дБ(A)





## Сумарне значення вібрації

	SR 30-A36
Рівень вібрації, що створюється під час пиляння ДСП ( $a_{h, v}$ )	22,5 м/с <sup>2</sup>
Похибка у разі пиляння ДСП (К)	3,7 м/с <sup>2</sup>
Рівень вібрації, що створюється під час пиляння дерев'яних балок ( $a_{h, wv}$ )	20,5 м/с <sup>2</sup>
Похибка у разі пиляння дерев'яних балок (К)	3,3 м/с <sup>2</sup>

## 4.2 Акумуляторна батарея

Робоча напруга акумуляторної батареї	36 В
Температура навколишнього середовища під час роботи	-17 °C ... 60 °C
Температура зберігання	-20 °C ... 40 °C
Температура акумуляторної батареї на початку процесу заряджання	-10 °C ... 45 °C

## 5 Підготовка до роботи

### ОБЕРЕЖНО

**Ризик отримання травм внаслідок непередбаченого увімкнення інструмента!**

- ▶ Перш ніж установлювати акумуляторну батарею, переконайтеся, що відповідний інструмент вимкнений.
- ▶ Від'єднайте акумуляторну батарею, перш ніж задавати налаштування інструмента або заміняти приладдя.

Дотримуйтеся попереджувальних вказівок та вказівок з техніки безпеки, наведених у цьому документі та на корпусі інструмента.

### 5.1 Заряджання акумуляторної батареї

1. Перед заряджанням акумуляторної батареї прочитайте інструкцію з експлуатації зарядного пристрою.
2. Контакти акумуляторної батареї та зарядного пристрою повинні бути чистими та сухими.
3. Заряджайте акумуляторну батарею тільки за допомогою тих зарядних пристроїв, які допущені до застосування з нею.

### 5.2 Установлення акумуляторної батареї

#### ОБЕРЕЖНО

**Ризик отримання травм внаслідок короткого замикання або падіння акумуляторної батареї!**

- ▶ Перш ніж установлювати акумуляторну батарею, переконайтеся, що на контактах батареї та інструмента немає сторонніх предметів.
- ▶ Завжди перевіряйте, щоб акумуляторна батарея була правильно зафіксована.

1. Перед першим використанням акумуляторну батарею слід повністю зарядити.
2. Уставте акумуляторну батарею у тримач на інструменті таким чином, щоб вона зафіксувалася із чітким характерним звуком.
3. Переконайтеся, що акумуляторна батарея надійно зафіксована в інструменті.

### 5.3 Виймання акумуляторної батареї

1. Натисніть на деблокувальні кнопки акумуляторної батареї.
2. Дістаньте акумуляторну батарею із тримача на інструменті.

### 5.4 Установлення гачка для кріплення (приладдя) 2

1. Активуйте транспортний фіксатор.
2. Установіть гачок для кріплення.



## 5.5 Установлення пиляльного полотна 3



Використовуйте тільки ті пиляльні полотна, які оснащені хвостовиком довжиною 1/2".

1. Активуйте транспортний фіксатор або від'єднайте акумуляторну батарею від інструмента.
2. Перевірте, щоб хвостовик змінного робочого інструмента був чистий та злегка змащений мастилом. У разі необхідності очистіть його та нанесіть на нього тонким шаром мастило.
3. Переведіть блокувальний важіль до упору вгору та утримуйте його у такому положенні.
4. Проштовхніть пиляльне полотно уперед та вставте його у затискний патрон.
5. Відпустіть блокувальний важіль та дайте йому повернутися у вихідне положення.
6. Перевірте, чи зафіксоване пиляльне полотно, потягнувши за нього.

## 5.6 Установлення з'єднувальної муфти (США: приладдя) 4

1. Вийміть притискний башмак.
2. Установіть з'єднувальну муфту у затискний патрон, розташований на притискному башмаку.
3. Повністю вставте злегка змащений притискний башмак у напрямку.

## 6 Експлуатація



### ОБЕРЕЖНО

**Ризик отримання травм внаслідок короткого замикання або падіння акумуляторної батареї!**

- ▶ Перш ніж установлювати акумуляторну батарею, переконайтеся, що на контактах батареї та інструмента немає сторонніх предметів.
- ▶ Завжди перевіряйте, щоб акумуляторна батарея була правильно зафіксована.

Дотримуйтеся попереджувальних вказівок та вказівок з техніки безпеки, наведених у цьому документі та на корпусі інструмента.

## 6.1 Переміщення пилки 5

1. Утримуйте пилку за передбачені для цього рукоятки.
2. Підведіть пилку до оброблюваної заготовки.
3. Переміщуйте пилку вперед і назад.
  - ↳ Якщо притиснути пилку до оброблюваної заготовки, це може призвести до руйнування пиляльного полотна та, як наслідок, до отримання травм.

## 6.2 Пиляння 6



### ПОПЕРЕДЖЕННЯ

**Ризик отримання травм внаслідок використання пошкодженого гачка для кріплення на риштуванні! Падіння інструмента може становити небезпеку для Вас та інших осіб.**

- ▶ Перш ніж розпочинати роботу, перевірте, щоб гачок для кріплення на риштуванні був надійно закріплений і не був пошкоджений.

1. Деактивуйте транспортний фіксатор та натисніть на вимикач інструмента.
  - ↳ На рисунку наведені декілька способів ефективно переміщувати пилку.
2. Після закінчення пиляння відпустіть вимикач інструмента.
3. Активуйте транспортний фіксатор.

## 6.3 Змінення пиляльного полотна 7



### ОБЕРЕЖНО

**Ризик отримання травм!** Змінний робочий інструмент може бути гарячим та/або його кромки – гострими.

- ▶ Під час заміни робочого інструмента використовуйте захисні рукавиці.
- ▶ Ніколи не кладіть гарячий змінний робочий інструмент на легкозаймисті матеріали.



1. Активуйте транспортний фіксатор або від'єднайте акумуляторну батарею від інструмента.
2. Переведіть блокувальний важіль до упору вгору та утримуйте його у такому положенні.
3. Потягніть пиляльне полотно уперед та дістаньте його із затискного патрона.
4. Відпустіть блокувальний важіль та дайте йому повернутися у вихідне положення.

## 7 Догляд і технічне обслуговування

### ПОПЕРЕДЖЕННЯ

**Небезпека травмування під час виконання робіт на інструменті з установленою акумуляторною батареєю!**

- ▶ Завжди діставайте з інструмента акумуляторну батарею, перш ніж розпочинати будь-які роботи з догляду та технічного обслуговування!

#### Догляд за інструментом

- Обережно видаляйте накопичення бруду.
- Обережно прочищайте вентиляційні прорізи сухою щіткою.
- Протирайте корпус вологою тканиною. Забороняється використовувати миючі засоби, що містять силікон, оскільки вони можуть пошкодити пластмасові деталі.
- Регулярно чистьте і змащуйте затискний патрон. Для цього використовуйте аерозольне мастило **Hilti** 314648.

#### Догляд за літій-іонними акумуляторними батареями

- Тримайте акумуляторну батарею у чистоті, не допускайте її забруднення мастильними матеріалами.
- Протирайте корпус вологою тканиною. Забороняється використовувати миючі засоби, що містять силікон, оскільки вони можуть пошкодити пластмасові деталі.
- Уникайте потрапляння вологи всередину інструмента.

#### Технічне обслуговування

- Регулярно перевіряйте усі зовнішні частини на наявність пошкоджень, а органи керування інструмента – на предмет справної роботи.
- Якщо Ви виявили пошкодження та/або порушення функціональності інструмента, припиніть його використання. Негайно зверніться до сервісної служби компанії **Hilti** для здійснення ремонту.
- Після проведення догляду і технічного обслуговування встановіть усі захисні пристрої та перевірте їхню роботу.



Щоб гарантувати належну роботу інструмента, використовуйте тільки оригінальні запасні частини та видаткові матеріали. Рекомендовані запасні частини, видаткові матеріали та приладдя для Вашого інструмента Ви можете придбати у найближчому магазині **Hilti Store** або на веб-сайті [www.hilti.group](http://www.hilti.group).

### 7.1 Заміна притискного башмака



За необхідності притискний башмак можна замінити.

1. Вийміть акумуляторну батарею.
2. Зніміть пиляльне полотно. → стор. 124
3. Натисніть червону кнопку розблокування притискного башмака у нижній частини шабельної пилки.
4. Вийміть притискний башмак.
5. Натисніть червону кнопку розблокування притискного башмака у нижній частини шабельної пилки.
6. Повністю вставте злегка змщений притискний башмак у напрямку.
7. Переконайтеся, що притискний башмак зафіксувався.

## 8 Транспортування і зберігання акумуляторних інструментів

### Транспортування



#### ОБЕРЕЖНО

**Непередбачене увімкнення інструмента під час транспортування!**

- ▶ На час транспортування завжди діставайте з інструмента акумуляторну батарею!



- ▶ Вийміть акумуляторні батареї.
- ▶ Не слід перевозити акумуляторні батареї у незапакованому вигляді.
- ▶ Перш ніж використовувати інструмент та акумуляторні батареї після дальніх перевезень, їх слід перевірити на наявність пошкоджень.

### Зберігання

#### **ОБЕРЕЖНО**

**Непередбачене пошкодження інструмента через несправність акумуляторної батареї або через виток електроліту з акумуляторної батареї !**

- ▶ На час зберігання завжди діставайте з інструмента акумуляторну батарею!
- ▶ Зберігайте інструмент та акумуляторні батареї у якомога більш прохолодному та сухому місці.
- ▶ Забороняється зберігати акумуляторні батареї на сонці, на опалювальних приладах або на підвіконні.
- ▶ Зберігайте інструмент та акумуляторні батареї у сухому місці, недоступному для дітей та сторонніх осіб.
- ▶ Перш ніж використовувати інструмент та акумуляторні батареї після довгого зберігання, їх слід перевірити на наявність пошкоджень.

## 9 Допомога у разі виникнення несправностей

У разі виникнення несправностей, які не зазначені у цій таблиці або які Ви не можете полагодити самостійно, зверніться до сервісної служби компанії **Hilti**.

### 9.1 Шабельна пила не готова до роботи

Несправність	Можлива причина	Рішення
Інструмент не вмикається.	Акумуляторна батарея встановлена в інструмент не до кінця.	▶ Зафіксуйте акумуляторну батарею з відчутним клацанням.
	Акумуляторна батарея розряджена.	▶ Зарядіть акумуляторну батарею.
	Транспортний фіксатор не активований.	▶ Активуйте транспортний фіксатор.
Не вдається зняти пиляльне полотно із затискного патрона.	Блокувальний важіль натиснуто не до упору.	▶ Натисніть на блокувальний важіль до упору та дістаньте пиляльне полотно.
	Затискний патрон засмічений залишками оброблюваного матеріалу.	▶ Видаліть залишки оброблюваного матеріалу та регулярно чистьте затискний патрон ззовні. Догляд за інструментом. → стор. 125

### 9.2 Шабельна пила готова до роботи

Несправність	Можлива причина	Рішення
Інструмент працює не на повну потужність.	Вимикач неповністю натиснуто.	▶ Натисніть на вимикач інструмента до упору.
	Акумуляторна батарея розрядилась.	▶ Замініть акумуляторну батарею та зарядіть розряджену акумуляторну батарею.
Не вдається зняти пиляльне полотно із затискного патрона.	Блокувальний важіль натиснуто не до упору.	▶ Натисніть на блокувальний важіль до упору та дістаньте пиляльне полотно.

## 10 Утилізація

Більшість матеріалів, з яких виготовлено інструменти компанії **Hilti**, придатні для вторинної переробки. Передумовою для їхньої вторинної переробки є належне сортування відходів за типом матеріалу. У багатьох країнах світу компанія **Hilti** приймає старі інструменти для їхньої утилізації. Щоб



отримати додаткову інформацію з цього питання, звертайтеся до сервісної служби компанії **Hilti** або до свого торгового консультанта.

### **Утилізація акумуляторних батарей**

У разі неналежної утилізації акумуляторних батарей з них можуть виходити небезпечні для здоров'я газу або рідини.

- ▶ Пошкоджені акумуляторні батареї забороняється пересилати поштою або кур'єрською службою!
- ▶ Закрийте контакти акумуляторних батарей електронепровідним матеріалом, щоб запобігти короткому замиканню.
- ▶ Утилізуйте акумуляторні батареї таким чином, щоб вони не потрапили до рук дітей.
- ▶ Щоб утилізувати акумуляторну батарею, передайте її до найближчого магазину **Hilti Store** або зверніться до представника відповідної компанії з утилізації відходів.



- ▶ Не викидайте електроінструменти, електронні пристрої та акумуляторні батареї у баки для побутового сміття!

## **11 RoHS (директива КНП про обмеження використання небезпечних речовин)**

Щоб переглянути таблицю з інформацією про небезпечні речовини, будь ласка, перейдіть за таким посиланням: [qr.hilti.com/r5962277](http://qr.hilti.com/r5962277).

Посилання на таблицю з інформацією про речовини, включені до директиви RoHS, наведено наприкінці цього документа у вигляді QR-коду.

## **12 Гарантійні зобов'язання виробника**

- ▶ Із питань гарантії, будь ласка, звертайтеся до Вашого місцевого партнера компанії **Hilti**.



**1 Құжаттама бойынша деректер****1.1 Бұл құжаттама туралы****Импорттауыш және өндірушінің өкілетті ұйымы**

- (RU) Ресей Федерациясы  
"Хилти Дистрибьюшн ЛТД" АҚ, 141402, Мәскеу облысы, Химки қ., Ленинградская көш., ғим. 25
- (BY) Беларусь Республикасы  
222750, Минск облысы, Дзержинский ауданы, Р-1, 18-ші км, 2 (Слободка ауылының жанында), 1-34 бөлімі
- (KZ) Қазақстан Республикасы  
Қазақстан Республикасы, индекс 050011, Алматы қ., Пугачев көш., 4-үй
- (KG) Қырғыз Республикасы  
"Т AND Т" ЖШҚ, 720021, Қырғызстан, Бішкек қ., Ибраимов көш., 29 А үйі
- (AM) Армения Республикасы  
Эйч-Кон ЖШҚ, Армения Республикасы, Ереван қ., Бабаян көш., 10/1 үйі

Өндірілген елі: жабдықтағы белгілеу тақтайшасын қараңыз.

Өндірілген күні: жабдықтағы белгілеу тақтайшасын қараңыз.

Тиісті сертификатты мына мекенжай бойынша табуға болады: [www.hilti.ru](http://www.hilti.ru)

Сақтау, тасымалдау және пайдалану шарттарына пайдалану бойынша нұсқаулықта белгіленгеннен басқа арнайы талаптар қойылмайды.

Өнімнің қызмет ету мерзімі 5 жыл.

- Іске қосу алдында осы құжаттаманы оқып шығыңыз. Бұл қауіпсіз жұмыс пен ақаусыз басқару үшін алғышарт болып табылады.
- Осы құжаттамадағы және өнімдегі қауіпсіздік және ескерту нұсқауларын орындаңыз.
- Пайдалану бойынша нұсқаулықты әрдайым өнімде сақтаңыз және оны басқа тұлғаларға тек осы нұсқаулықпен бірге тапсырыңыз.

**1.2 Шартты белгілердің анықтамасы****1.2.1 Ескерту**

Ескертулер өнімді қолдану барысындағы қауіптер туралы ескертеді. Төмендегі сигналдық сөздер пайдаланылады:

**ҚАУІПТІ****ҚАУІПТІ !**

- ▶ Ауыр жарақаттарға әкелетін немесе өмірге қауіп төндіретін тікелей қауіпті жағдайдың жалпы белгіленуі.

**ЕСКЕРТУ****ЕСКЕРТУ !**

- ▶ Ауыр жарақаттарға әкелуі немесе өмірге қауіп төндіруі мүмкін ықтимал қауіпті жағдайдың жалпы белгіленуі.

**АБАЙЛАҢЫЗ****АБАЙЛАҢЫЗ !**

- ▶ Жеңіл жарақаттарға немесе аспаптың зақымдалуына әкелуі мүмкін ықтимал қауіпті жағдайдың жалпы белгіленуі.

**1.2.2 Құжаттамадағы белгілер**

Бұл құжаттамада төмендегі белгілер пайдаланылады:



Пайдалану алдында пайдалану бойынша нұсқаулықты оқу қажет



	Аспапты пайдалану бойынша нұсқаулар және басқа пайдалы ақпарат
	Қайта пайдалануға болатын материалдармен жұмыс істеу
	Электр аспаптарды және аккумуляторларды тұрмыстық қоқысқа тастамаңыз

### 1.2.3 Суреттердегі белгілер

Суреттерде төмендегі белгілер қолданылады:

	Бұл сандар осы нұсқаулықтың басындағы әр суретке сәйкес келеді
3	Нөмірлеу суреттегі жұмыс қадамдарының реттілігін білдіреді және мәтіндегі жұмыс қадамдарынан өзгешеленуі мүмкін
	Позиция нөмірлері <b>Шолу</b> суретінде қолданылады және <b>Өнімге шолу</b> мақаласындағы шартты белгілердің нөмірлеріне сілтейді
	Аталмыш белгілер өнімді қолдану барысында айрықша назарыңызды аудартады.

## 1.3 Өнімге қатысты белгілер

### 1.3.1 Өнімдегі белгілер

Өнімде төмендегі белгілер пайдаланылуы мүмкін:

	Тұрақты ток
$n_0$	Бос жүрістегі жиілік
	Құрылғы iOS және Android платформаларымен үйлесімді NFC технологиясын қолдайды.
Li-Ion	Литий-иондық аккумулятор
	Пайдаланылған Hilti литий-ион аккумуляторларының сериясы. <b>Қолдану мақсаты</b> бөліміндегі нұсқауларды орындаңыз.

## 1.4 Өнім туралы ақпарат

өнімдері кәсіби пайдаланушыларға арналған және оларды тек қана өкілетті, білікті қызметкерлер пайдалануы, күтім және техникалық қызмет көрсетуі тиіс. Қызметкерлер қауіпсіздік техникасы бойынша арнайы нұсқау алуы керек. Өнім мен оның қосалқы құралдарын басқа мақсатта қолдану немесе олардың оқытылмаған қызметкерлердің тарапынан пайдаланылуы қауіпті.

Түр сипаттамасы мен сериялық нөмір фирмалық тақтайшада берілген.

- ▶ Сериялық нөмірді төмендегі кестеге көшіріп қойыңыз. Өнім туралы мәліметтерді өкілдігімізге немесе қызмет көрсету бөлімімізге сұрау беру арқылы алуға болады.

#### Өнім туралы мәліметтер

Қылыштық ара	SR 30-A36
Буын	01
Сериялық нөмір	

## 1.5 Сәйкестілік декларациясы

Біз осы нұсқаулықта сипатталған өнімнің қолданыстағы директивалар мен нормативтерге сәйкес келетінін толық жауапкершілікпен жариялаймыз. Сәйкестілік декларациясының суреті осы құжаттаманың соңында орналасқан.

Техникалық құжаттама мына жерде сақталған:

Hilti Entwicklungsgesellschaft mbH | Zulassung Geräte | Hiltistraße 6 | 86916 Kaufering, DE



**2.1 Электр құралдары үшін қауіпсіздік техникасы бойынша жалпы нұсқаулар**

**⚠ ЕСКЕРТУ** Бұл электр құралына арналған барлық қауіпсіздік нұсқауларын, нұсқауларды, суреттерді және техникалық деректерді оқып шығыңыз. Төменде берілген нұсқауларды орындамау электр тогының соғуына, өртке әкелуі мүмкін және/немесе ауыр жарақаттарды тудыруы мүмкін.

**Қауіпсіздік техникасы бойынша барлық нұсқауларды және нұсқауларды келесі пайдаланушы үшін сақтаңыз.**

Қауіпсіздік нұсқауларында қолданылатын «электр құралы» термині электр желісінен (желілік кабельмен) және аккумулятордан (желілік кабельсіз) жұмыс істейтін электр құралын білдіреді.

**Жұмыс орны**

- ▶ **Жұмыс орнындағы тазалықты және тәртіпті қадағалаңыз.** Жұмыс орнындағы ретсіздік және нашар жарық сәтсіз жағдайларға әкелуі мүмкін.
- ▶ **Жанғыш сұйықтықтар, газдар немесе шаң бар жарылыс қаупі бар аймақта электр құралын қолданбаңыз.** Жұмыс кезінде электр құралдары ұшқындар шығады және ұшқындар шаңды немесе буларды тұтандыруы мүмкін.
- ▶ **Балалардың және бөгде адамдардың жұмыс істеп тұрған электр құралына жақындауына рұқсат етпеңіз.** Жұмысқа көңіл бөлмегенде, электр құралын бақылау жоғалуы мүмкін.

**Электр қауіпсіздігі**

- ▶ **Электр құралдың байланыс ашасы электр желісінің розеткасына сай болуы керек.** Айырдың конструкциясын өзгертпеңіз. Қорғауыш жерге қосуы бар электр құралдарымен бірге өтпелі айырларды қолданбаңыз. Түпнұсқа айырлар және оларға сай розеткалар электр тогының соғу қаупін азайтады.
- ▶ **Жерге қосылған беттерге, мысалы, құбырларға, жылыту құралдарына, пештерге (плиталарға) және тоңазытқыштарға тікелей тиюді болдырмаңыз.** Жерге қосылған заттарға тигенде электр тогының соғуының үлкен қаупі туындайды.
- ▶ **Электр құралдарды жаңбырдан немесе ылғал әсерінен сақтаңыз.** Электр құралға су тиюі нәтижесінде электр тогының соғу қаупі артады.
- ▶ **Байланыс сымын басқа мақсатта қолданбаңыз, мысалы, электр құралды тасымалдау, оны іліп қою немесе электр желісінің розеткасынан айырды шығару үшін.** Байланыс сымын жылу, май, өткір жиектер немесе жылжымалы бөліктерден алшақ ұстаңыз. Байланыс сымының зақымдалуы немесе қабаттасуы нәтижесінде электр тогының соғу қаупі артады.
- ▶ **Егер жұмыстар ашық ауада орындалса, тек бөлмелерден тыс қолдануға рұқсат етілген ұзартқыш сымдарды пайдаланыңыз.** Бөлмелерден тыс қолдануға жарамды ұзартқыш сымды пайдалану электр тогының соғу қаупін азайтады.
- ▶ **Егер электр құралмен ылғалдылық жағдайларында жұмыс істеуді болдырмау мүмкін емес болса, шығып кететін токтан қорғау автоматын қолданыңыз.** Шығып кететін токтан қорғау автоматын қолдану электр тогының соғу қаупін азайтады.

**Адамдардың қауіпсіздігі**

- ▶ **Ұқыпты болыңыз, әрекеттеріңізге көңіл бөліңіз және электр құралымен жұмыс істеуге дұрыс қараңыз.** Шаршаған кезде немесе есірткі, алкоголь не дәрі қабылдаған соң электр құралын қолданбаңыз. Электр құралын қолданған кездегі зейінсіздік ауыр жарақаттарға апарып соғуы мүмкін.
- ▶ **Жеке қорғану құралдарын пайдаланыңыз және әрқашан міндетті түрде қорғауыш көзілдірікті киіңіз.** Электр құралының түріне және пайдалану жағдайларына байланысты жеке қорғану құралдарын, мысалы, шаңнан қорғайтын респираторды, сығармайтын аяқ киімді, қорғауыш шлемді, естуді қорғау құралдарын қолдану жарақаттану қаупін азайтады.
- ▶ **Электр құралының кездейсоқ қосылуын болдырмаңыз.** Электр қуатына қосу және/немесе аккумуляторды қою, көтеру немесе тасымалдау алдында электр құралы өшірілгеніне көз жеткізіңіз. Электр құралын тасымалдағанда саусақтар сөндіргіште болатын немесе қосылған электр құралы желіге қосылатын жағдайлар сәтсіз жағдайларға әкелуі мүмкін.
- ▶ **Электр құралын қосу алдында реттеуші құрылғыларды және гайка кілтін алыңыз.** Электр құралының айналатын бөлігіндегі аспап немесе кілт жарақаттарға әкелуі мүмкін.
- ▶ **Жұмыс кезінде ыңғайсыз қалыптарға тұрмауға тырысыңыз. Үнемі тұрақты күйді және тепе-теңдікті сақтаңыз.** Бұл күтпеген жағдайларда электр құралын жақсырақ басқаруға мүмкіндік береді.
- ▶ **Арнайы киімді киіңіз. Өте бос киімді немесе әшекейлерді кимеңіз. Шашты, киімді және қолғапты электр құралының айналатын түйіндерінен сақтаңыз.** Бос киім, әшекейлер және ұзын шаш оларға ілінуі мүмкін.





- ▶ Егер шаңды жинау және кетіруге арналған құрылғыларды қосу қарастырылған болса, олар қосылғанына және мақсаты бойынша қолданылып жатқанына көз жеткізіңіз. Шаңды кетіру модулін пайдалану шаңның зиянды әсерін азайтады.
- ▶ Озу мойныңызға қате қауіпсіздік сезімін алмаңыз және электр құралына арналған қауіпсіздік ережелерін бұзбаңыз, тіпті электр құралын жиі қолданатын тәжірибелі пайдаланушы болсаңыз. Мұқиятсыз қолдану бірнеше секундта ауыр жарақаттануға апарып соғуы мүмкін.

#### Электр құралын қолдану және оған қызмет көрсету

- ▶ Аспапқа шамадан тыс жүктеме түсуін болдырмаңыз. Нақ осы жұмысқа арналған электр құралын қолданыңыз. Бұл ережені сақтау көрсетілген қуат диапазонында жоғарырақ жұмыс сапасын және қауіпсіздігін қамтамасыз етеді.
- ▶ Сөндіргіші бұзылған электр құралын қолданбаңыз. Қосу немесе өшіру қиын электр құралы қауіпті және оны жөндеу керек.
- ▶ Электр құралын реттеуге, саймандарды ауыстыруға кірісу алдында немесе жұмыстағы үзіліс алдында розеткадан ашаны және/немесе электр құралынан алмалы-салмалы аккумуляторды шығарыңыз. Бұл сақтық шарасы электр құралының кездейсоқ қосылуын болдырмайды.
- ▶ Қолданылмайтын электр құралдарын балалар жетпейтін жерде сақтаңыз. Аспаптан таныс емес немесе осы нұсқауларды оқып шықпаған адамдарға аспапты пайдалануға рұқсат бермеңіз. Электр құралдары тәжірибесі жоқ пайдаланушылардың қолында қауіпті болады.
- ▶ Электр құралдары мен керек-жарақтарға ұқыпты қараңыз. Айналымды бөліктердің мүлтіксіз қызмет ететінін, олардың жүрісінің жеңілдігін, барлық бөліктердің тұтастығын және электр құралының жұмысына теріс әсер етуі мүмкін зақымдардың жоқтығын тексеріңіз. Аспаптың зақымдалған бөліктерін оны қолдану алдында жөндеуге өткізіңіз. Электр құралына техникалық қызмет көрсету ережелерін сақтамау көп сәтсіз жағдайлардың себебі болып табылады.
- ▶ Кескіш аспаптардың үшкір және таза болуын қадағалау керек. Жұмыс күйінде сақталатын кескіш аспаптардың сыналануы сиректеу болады, оларды басқару жеңілдеу.
- ▶ Электр құралын, саймандарды, көмекші құрылғыларды және т.б. нұсқауларға сай пайдаланыңыз. Бұл кезде жұмыс жағдайларын және орындалатын жұмыстың сипатын ескеріңіз. Электр құралдарын басқа мақсаттарда қолдану қауіпті жағдайларға әкелуі мүмкін.
- ▶ Тұтқыштар мен тұтқыш беттерін таза, құрғақ, май іздерінсіз ұстаңыз. Сырғанақ тұтқыштар мен олардың беттері белгілі бір жағдайларда электр құралының қауіпсіз қолданылуы мен басқарылуына жол бермейді.

#### Аккумуляторлық аспапты пайдалану және оған қарау

- ▶ Аккумуляторды тек өндіруші ұсынған зарядтағыш құрылғылардың көмегімен зарядтаңыз. Зарядтағыш құрылғыны тиісті емес аккумулятор түрлерін зарядтау үшін қолданғанда өрт туындауы мүмкін.
- ▶ Аспаптан жұмыс істеу үшін тек тиісті аккумуляторларды қолданыңыз. Басқа аккумуляторларды пайдалану жарақаттарға әкелуі және өрт тудыруы мүмкін.
- ▶ Пайдаланылмайтын аккумуляторларды контакттардың тұйықталуының себебі болуы мүмкін скрепалардан, тындардан, кілттерден, инелерден, винттерден және басқа металл заттардан ары сақтаңыз. Аккумулятор контактарының тұйықталуы күйіктерге немесе тұтануға әкелуі мүмкін.
- ▶ Аккумулятормен тиісті емес түрде жұмыс істегенде одан электролит ағып шығуы мүмкін. Оған тиюді болдырмаңыз. Кездейсоқ тигенде сумен шайыңыз. Электролит көзге тигенде дәрігер көмегіне жүгініңіз. Аккумулятордан ағып шыққан электролит тері тітіркенуін немесе күйіктерді тудыруы мүмкін.
- ▶ Зақымдалған не пішіні өзгертілген аккумуляторларды қолданбаңыз. Зақымдалған не пішіні өзгертілген аккумуляторларды болжауға болмайды және олар өрт, жарылыс не жарақаттану қаупін тудырады.
- ▶ Аккумуляторды өрт не жоғары температуралы аймақтардан алшақ ұстаңыз. Өрт немесе 130 °C (265 °F) жоғары температуралар жарылыс тудыруы мүмкін.
- ▶ Зарядтау үшін барлық нұсқауларды орындаңыз және аккумулятор не аккумуляторлық құралды ешқашан пайдалану бойынша нұсқаулықта берілген температура ауқымдарынан тыс зарядтамаңыз. Қате зарядтау немесе рұқсатты температура ауқымдарынан тыс зарядтау аккумуляторды бұзуы және өрт қаупін арттыруы мүмкін.

#### Қызмет

- ▶ Электр құралын жөндеуді тек түпнұсқа қосалқы бөлшектерді қолданатын білікті қызметкерлерге сеніп тапсырыңыз. Бұл электр құралын қауіпсіз күйде сақтауды қамтамасыз етеді.
- ▶ Зақымдалған аккумуляторларға ешқашан қызмет көрсетпеңіз. Аккумулятордың толық күтімін тек өндіруші немесе өкілетті қызмет көрсету орталықтары орындауы тиіс.



**2.2 Поршеньді кескіш дискісі бар араға арналған қосымша қауіпсіздік нұсқаулары**

- ▶ Пайдаланатын аспабыңыз көзден таса электр желісіне тиіп кетуі мүмкін болса, аспаптың арнайы жеке бөлінген жерінен ұстаңыз. Электр сымдарына тигенде аспаптың қорғалмаған металл бөліктері кернеу астында болады. Бұл электр тогының соғуына әкелуі мүмкін.
- ▶ Дайындаманы қысқыш немесе басқа құралдың көмегімен тұрақты астыңғы бетке бекітіп тіркеңіз. Дайындаманы тек қана қолмен немесе денеңізге қысып ұстаған кезде, бақылау мүмкіндігінен айырылуыңыз мүмкін.

**2.3 Аралау кезіндегі қауіпсіздік бойынша қосымша нұсқаулар****Адамдардың қауіпсіздігі**

- ▶ Қолыңызды аралау орнынан және ара төсемінен ары ұстаңыз. Араны екінші қолмен қосымша тұтқышынан немесе мотор корпусынан ұстаңыз. Араны екі қолмен ұстасаңыз, аралау кезінде қолыңызды жарақаттамайсыз.
- ▶ Өнімді тек техникалық мінсіз күйінде қолданыңыз.
- ▶ Аспапты бейімдеуге немесе өзгертуге тыйым салынады.
- ▶ Құралды алмастырған кезде қорғаныс қолғаптарын да киіңіз. Алмалы-салмалы аспапқа тию кесіктерге және күйіктерге апарып соғуы мүмкін.
- ▶ Жұмысты бастау алдында дайындама материалы бойынша пайда болатын шаңның қауіп класын анықтаңыз. Аспаппен жұмыс істеу үшін қорғаныс дәрежесі қолданыстағы шаңнан қорғау нормаларына сай құрылыс шаңсорғышын қолданыңыз. Құрамында қорғасын бар бояулар, ағаштың кейбір түрлері, бетон/кірпіш қалауы/кварц қамтитын жыныстар және минералдар мен металл сияқты материалдардан пайда болатын шаң денсаулық үшін зиянды болуы мүмкін.
- ▶ Жұмыс орнындағы ауа алмасуды жақсарту үшін әрекет етіңіз және қажетінше тиісті шаңға арналған респираторды тағыңыз. Мұндай шаңның бөлшектерімен дем алу немесе оған тию пайдаланушыларда немесе жанындағы адамдарда аллергиялық реакциялардың және/немесе дем алу жолдары ауруларының пайда болуына әкелуі мүмкін. Құрамында асбест бар материалдарды тек мамандар өңдеуі керек.
- ▶ Өңделетін бұйымды астынан ұстап алмаңыз.
- ▶ Аралап жатқан дайындаманы ешқашан қолда немесе аяқ үстінде ұстамаңыз. Дайындаманы тұрақты тірекке бекітіңіз.
- ▶ Аспапты әрдайым екі қолмен арнайы тұтқыштарынан берік ұстаңыз және бұл кезде қолды кері соққы күшіне қарсы тұра алатындай орналастырыңыз.
- ▶ Тұтқышты құрғақ әрі таза күйінде ұстаңыз.
- ▶ Әрқашан ара төсемінен ары тұрыңыз, ешқашан ара төсемін денеңіздің осі бойынша жүргізбеңіз. Кері соққы араны артқа секірітіп алуы мүмкін!
- ▶ Ара төсемі сыналанғанда немесе жұмыс басқа себеппен үзілсе, араны өшіріңіз және оны ара төсемі толық тоқтағанша ұстаңыз. Айналып жатқанда немесе кері соққы пайда болуы мүмкін болса, ешқашан ара төсемін дайындамадан шығаруға, артқа жіберуге тырыспаңыз.
- ▶ Дайындамада тұрып қалған араны қайта қосқыңыз келсе, алдымен аралау орнында ара төсемін ортаға келтіріңіз және төсем тістерінің еркіндігін тексеріңіз.
- ▶ Қабырғаларда немесе басқа көру мүмкін емес аймақтарда аралауды орындау кезінде әсіресе сақ болыңыз. Бататын ара төсемі аралау кезінде жасырын нысанда бұғатталуы және кері соққы тудыруы мүмкін.

**Электр қауіпсіздігі**

- ▶ Жұмысты бастамас бұрын, жұмыс аймағындағы электрлік сымдар, газ бен су құбырлары жабық екендігіне көз жеткізіңіз. Ток сымна байқамастан зақым келтірген жағдайда, аспаптағы сыртта орналасқан металл бөлшектер ток соғу қаупін тудыруы мүмкін.
- ▶ Пайдаланатын аспабыңыз көзден таса электр желісіне тиіп кетуі мүмкін болса, аспаптың арнайы жеке бөлінген жерінен ұстаңыз. Электр сымдарына тигенде аспаптың қорғалмаған металл бөліктері кернеу астында болады. Бұл электр тогының соғуына әкелуі мүмкін.

**Электр құралдарымен дұрыс жұмыс істеу және дұрыс пайдалану**

- ▶ Өтпес немесе зақымдалған ара төсемдерін пайдаланбаңыз. Бұл ара төсемінің қатты тозуын, қысылуын немесе кері соққысын болдырмайды.
- ▶ Ара төсемдерін қолдану және оларға қызмет көрсету бойынша өндірушінің нұсқауларын орындаңыз.
- ▶ Өнімді басқыш табанымен өңделетін дайындамаға басып тұру керек. Бұл оңайлы және қауіпсіз жұмыс үшін керек.
- ▶ Тиісті қорғаныш киім киіп, өзіңізді ыстық жоңқадан қорғаңыз.



## 2.4 Қауіпсіздік техникасы бойынша қосымша нұсқаулар

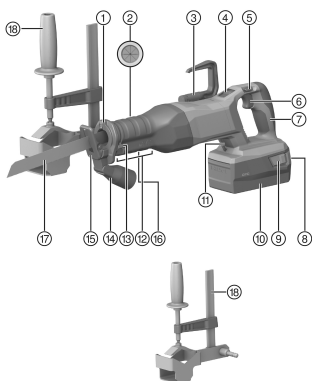
- ▶ Өнімді тек техникалық мінсіз күйінде қолданыңыз.
- ▶ Аспапты бейімдеуге немесе өзгертуге тыйым салынады.
- ▶ Өтпес немесе зақымдалған ара төсемдерін пайдаланбаңыз. Бұл ара төсемінің қатты тозуын, қысылуын немесе кері соққысын болдырмайды.
- ▶ Жұмысты бастамас бұрын, жұмыс аймағындағы электрлік сымдар, газ бен су құбырлары жабық екендігіне көз жеткізіңіз. Ток сымна байқамастан зақым келтірген жағдайда, аспаптағы сыртта орналасқан металл бөлшектер ток соғу қаупін тудыруы мүмкін.
- ▶ Дайындаманы тұрақты тірекке бекітіңіз. Аралап жатқан дайындаманы ешқашан қолда немесе аяқ үстінде ұстамаңыз.
- ▶ Өнімді тек жұмыс күйінде қосыңыз.
- ▶ Жұмыс кезінде аспапты өзіңізден ары бағыттаңыз.
- ▶ Біркелкі қысым мен үлесімді кесу жылдамдығын пайдаланып жұмыс істегіңіз, әсіресе диаметрі үлкен құбырларды кескенде. Бұл аспаптың қызып кетуін болдырмау үшін қажет.
- ▶ Құбырларды кескен кезде, құбырлардың ішінде ешқандай сұйықтықтың жоқтығына көз жеткізіңіз. Қажет болса, оларды босатыңыз.
- ▶ Құбырларды кескенде аспапты аралау сызығынан жоғарырақ ұстаңыз.
  - ↳ Аспапты ылғал кіруден қорғау қарастырылмаған. Ағып шығатын сұйықтық аспапта қысқа тұйықталуға апарып соғуы мүмкін.
- ▶ Кесу кезінде төсемді тексерілмеген жасырын қуыстарға салмаңыз.
  - ↳ Кескіш диск нысанға тиген кезде, аспаптың кері серпілуіне алып келуі мүмкін.
- ▶ Құралды алмастырған кезде қорғаныс қолғаптарын да киіңіз. Алмалы-салмалы аспапқа тию кесіктерге және күйіктерге апарып соғуы мүмкін.
- ▶ Құралдарға техникалық қызмет көрсету, ауыстыру және тасымалдау алдында және құрал қолданылмай тұрғанда, батареясын алып қойыңыз.
- ▶ Аспапты сақтау немесе тасымалдау алдында әрқашан бұғаттау түймесін белсендіріңіз.
- ▶ Ара төсемдерін қолдану және оларға қызмет көрсету бойынша өндірушінің нұсқауларын орындаңыз.
- ▶ Аспаппен жұмыс істегенде жұмыс істейтін адам және оның жанындағы тұлғалар тиісті қорғауыш көзілдірікті, қорғауыш шлемді, қорғауыш құлаққапты, қорғауыш қолғаптарды және жеңіл респираторды қолдануы керек.
- ▶ Әрдайым өлшенген ұзын ара төсемін пайдаланыңыз. Ара төсемі бүкіл жұмыс барысында дайындаманың үстінен шығып тұруы керек.
- ▶ Жұмыс уақытында қолдар терлемейі үшін саусақтарды босату және жаттықтыру үшін үзілістер жасаңыз.
- ▶ Жарыққа (жарық диоды) тікелей қарамаңыз және жарықты басқа адамдардың көзіне тікелей бағыттамаңыз. Соқырлық қаупі бар.
- ▶ Материалдың сынықтары денені және көзді жарақаттауы мүмкін. Жеке қорғану құралдарын пайдаланыңыз және әрқашан қорғауыш көзілдірік пен қорғауыш қолғап киіңіз.
- ▶ Тесіп өтетін бұрғылау кезінде қауіпті аймақты қабырғаның қарама-қарсы жағынан қоршаңыз.

## 2.5 Аккумулятормен дұрыс жұмыс істеу және оны дұрыс пайдалану

- ▶ Li-Ion аккумуляторын тасымалдау, сақтау және пайдалану бойынша арнайы нұсқаулардың талаптарын орындаңыз.
- ▶ Аккумуляторларды жоғары температуралар, тікелей күн сәулесі мен өрттен алшақ ұстаңыз.
- ▶ Аккумуляторларды бөлшектеуге, қысуға, 80°C-тан жоғары температураға дейін қыздыруға және жағуға тыйым салынады.
- ▶ Соққы тиген, бір метрден жоғары биіктіктен құлаған немесе басқа жолмен зақымдалған аккумуляторларды пайдалануға немесе зарядтауға болмайды. Мұндай жағдайда әрдайым **Hilti сервистік қызметіңізге** хабарласыңыз.
- ▶ Егер тиген кезде аккумулятор тым ыстық болса, ол ақаулы болуы мүмкін. Аспапты тұтану қаупі жоқ орынға, тұтанғыш материалдардан алыс, оны бақылауға болатындай қойыңыз және суытып қойыңыз. Мұндай жағдайда әрдайым **Hilti сервистік қызметіңізге** хабарласыңыз.



#### 3.1 Өнімге шолу



- ① Құрал бекіткіші
- ② Кескіш адаптерге арналған ұстағыш
- ③ Жиналмалы жақтау ілмегі
- ④ Айналу жиілігін алдын ала таңдау
- ⑤ Тасымалдау кезінде бұғаттау түймесі
- ⑥ Негізгі сөндіргіш
- ⑦ Артқы тұтқа
- ⑧ Аккумулятор заряды деңгейінің индикаторы
- ⑨ Аккумуляторды босату түймесі
- ⑩ Аккумулятор
- ⑪ Бекіткіш көз
- ⑫ Алдыңғы қол жеткізу аймағы
- ⑬ Ара төсемдерін құлыптан босату иінірегі
- ⑭ Сорғыш келте құбыр (АҚШ: керек-жарақ)
- ⑮ Қысқыш тірек
- ⑯ Қысқыш тіректі босату түймесі
- ⑰ Ара төсемі
- ⑱ Кескіш адаптер (керек-жарақ)

#### 3.2 Мақсатына сай қолдану

Сипатталған өнім аккумуляторлық қылыштық ара болып табылады. Ол ағашты, ағаш пен металл тәріздес материалдарды және пластиктерді кесуге арналған.

Өнім екі қолмен жұмыс істеуге арналған.

- ▶ Бұл өнім үшін тек В 36 қатарындағы **Hilti** Li-Ion аккумуляторларын ғана пайдаланыңыз.
- ▶ Бұл аккумуляторлар үшін тек C4/36 сериялы **Hilti** зарядтағыш құрылғысын пайдаланыңыз.

#### 3.3 Ықтимал қате қолдану

- ▶ Аспапты кірпішті, бетонды, газобетонды, тасты немесе керамикалық плитканы кесу үшін пайдаланбаңыз.
- ▶ Өнімді сұйықтықпен толтырылған құбырларды кесу үшін пайдаланбаңыз.
- ▶ Кесу кезінде төсемді тексерілмеген жасырын қуыстарға батырмаңыз.

#### 3.4 Литий-иондық аккумулятор зарядының индикаторы

Li-Ion аккумуляторының зарядтау күйі және аспаптағы ақаулықтар Li-Ion аккумуляторының индикаторында көрсетіледі. Li-Ion аккумуляторы зарядының индикаторы екі аккумуляторды босату түймесін басу арқылы көрсетіледі.

Құралдың бөлшектері	Сипаттамасы
4 жарық диоды жанады.	Зарядтау күйі: 75 % - 100 %
3 жарық диоды жанады.	Зарядтау күйі: 50 % - 75 %
2 жарық диоды жанады.	Зарядтау күйі: 25 % - 50 %
1 жарық диоды жанады.	Зарядтау күйі: 10 % - 25 %
1 жарық диоды жыпылықтайды.	Зарядтау күйі: < 10 %
1 жарық диоды жыпылықтайды, аспап жұмысқа дайын емес.	Аккумулятор қызып кетті немесе заряды толығымен бітті.
4 жарық диоды жыпылықтайды, аспап жұмысқа дайын емес.	Аспап қызып кетті немесе оған шамадан тыс жүктеме түсті.



**i** Негізгі сөндіргіш басылып тұрғанда және негізгі сөндіргішті жібергеннен 5 секундтан кейін зарядтау күйіне сұрау салу мүмкін болмайды.

Аккумулятор индикаторының жарық диодтары жыпылықтаған жағдайда «Ақаулықтардағы көмек» бөліміндегі нұсқауларға назар аударыңыз.

### 3.5 Жеткізілім жинағы

Қылышты ара, пайдалану бойынша нұсқаулық.

Оған қоса, өніміңіз үшін рұқсат етілген жүйелік өнімді **Hilti Store** дүкенінде немесе келесі веб-сайтта табуға болады: [www.hilti.group](http://www.hilti.group).

## 4 Техникалық сипаттамалар

	SR 30-A36
Номиналды кернеу	36 В
ЕРТА 01 процедурасы бойынша салмағы	5,2 кг
Жүрістер жиілігі (1-қадам)	2000 А/мин
Жүрістер жиілігі (2-қадам)	2800 А/мин
Жүріс ұзындығы	32 мм
Құрал бекіткіші	0,5 дюйм
Жұмыс кезіндегі қоршаған орта температурасы	-17 °C ... 60 °C
Сақтау температурасы	-20 °C ... 70 °C

### 4.1 EN 62841 стандарты бойынша шуыл туралы ақпарат және діріл мәні

Осы нұсқауларда көрсетілген дыбыс қысымы мен діріл деңгейі стандартты өлшеу әдісімен өлшенген және оны басқа электр құралдарымен салыстыру үшін пайдалануға болады. Сонымен бірге, ол экспозицияны алдын ала бағалау үшін жарайды.

Берілген деректер электр құралының негізгі жұмысын көрсетеді. Алайда, егер электр құралы басқа мақсаттарда, басқа жұмыс аспаптарымен қолданылса немесе оған қанағаттандырмайтын техникалық қызмет көрсетілсе, деректер өзгеше болуы мүмкін. Осының салдарынан аспаптың бүкіл жұмыс істеу кезеңінде экспозиция айтарлықтай артуы мүмкін.

Экспозицияны дәл анықтау үшін аспап сөндірілген күйде немесе бос жұмыс істейтін уақыт аралықтарын да ескеру керек. Осының салдарынан аспаптың бүкіл жұмыс істеу кезеңінде экспозиция айтарлықтай азаюы мүмкін.

Пайдаланушыны пайда болатын шуылдан және/немесе дірілден қорғау үшін қосымша сақтық шараларын қолданыңыз, мысалы: электр аспабына және жұмыс аспаптарына техникалық қызмет көрсету, қолдардың жылуын сақтау, жұмыс процестерін дұрыс ұйымдастыру.

#### Шуыл туралы ақпарат

	SR 30-A36
Дыбыс күшінің деңгейі ( $L_{WA}$ )	96 дБ(А)
Дыбыс күшінің деңгейі бойынша дәлсіздік ( $K_{WA}$ )	5 дБ(А)
Дыбыс қысымының деңгейі ( $L_{pA}$ )	85 дБ(А)
Дыбыс қысымының деңгейі бойынша дәлсіздік ( $K_{pA}$ )	5 дБ(А)

#### Дірілдің жалпы көрсеткіші

	SR 30-A36
Дірілдің эмиссиялық көрсеткіші, ағаш жоңқалы тақталарды аралау ( $a_n, v$ )	22,5 м/с <sup>2</sup>
Ағаш жоңқалы тақталарды аралау кезіндегі дәлсіздік (К)	3,7 м/с <sup>2</sup>
Дірілдің эмиссиялық көрсеткіші, ағаш бөренелерді аралау ( $a_n, wB$ )	20,5 м/с <sup>2</sup>
Ағаш бөренелерді аралау кезіндегі дәлсіздік (К)	3,3 м/с <sup>2</sup>



## 4.2 Аккумулятор

Аккумулятордың жұмыс кернеуі	36 В
Жұмыс кезіндегі қоршаған орта температурасы	-17 °C ... 60 °C
Сақтау температурасы	-20 °C ... 40 °C
Зарядтаудың басындағы аккумулятор температурасы	-10 °C ... 45 °C

## 5 Жұмысқа дайындық

### АБАЙЛАҢЫЗ

**Жарақат алу қаупі абайсыздан қосылу себебінен!**

- ▶ Аккумуляторды орнату алдында оған қатысты өнімнің өшірілгеніне көз жеткізіңіз.
- ▶ Аспап реттеулерін орындау немесе қосалқы бөлшектерді алмастыру алдында аккумуляторды шығарыңыз.

Осы құжаттамадағы және өнімдегі қауіпсіздік және ескерту нұсқауларын орындаңыз.

### 5.1 Аккумуляторды зарядтау

1. Зарядтау алдында зарядтағыш құрылғының пайдалану бойынша нұсқаулығын оқып шығыңыз.
2. Аккумулятордағы және зарядтағыш құрылғыдағы контактілердің таза әрі құрғақ екендігіне көз жеткізіңіз.
3. Аккумуляторды рұқсат етілген зарядтағыш құрылғы ішінде зарядтаңыз.

### 5.2 Аккумуляторды орнату

#### АБАЙЛАҢЫЗ

**Жарақат алу қаупі қысқа тұйықталудан немесе аккумулятордың құлауынан!**

- ▶ Аккумуляторды орнату алдында аккумулятор контактілерінде және өнімдегі контактілерде бөгде заттардың жоқтығына көз жеткізіңіз.
- ▶ Аккумулятордың еркез дұрыс орнатылғанына көз жеткізіңіз.

1. Аккумуляторды алғаш рет іске қоспас бұрын зарядтаңыз.
2. Аккумуляторды аспап ұстағышына шерту дыбысы шыққанша мұқият салыңыз.
3. Аккумулятордың аспапқа берік бекітілгенін тексеріңіз.

### 5.3 Аккумуляторды шығару

1. Аккумулятордағы құлыптан босату түймелерін басыңыз.
2. Аккумуляторды аспап ұстағышынан шығарып алыңыз.

### 5.4 Асуға арналған ілмекті орнату (керек-жарақ)

1. Тасымалдау кезінде бұғаттау түймесін белсендіріңіз.
2. Асуға арналған ілмекті орнатыңыз.

### 5.5 Ара төсемін орнату

1/2" енгізілетін ұштарымен ара төсемдерін ғана пайдаланыңыз.

1. Тасымалдау кезінде бұғаттау түймесін белсендіріп, аккумуляторды аспаптан суырып шығарыңыз.
2. Құралдың енгізілетін ұшы таза және майланған екеніне көз жеткізіңіз. Қажет болса, оны тазалаңыз және майлаңыз.
3. Құлыптау иінірегін тоқтағанша жоғары жылжытып, сол күйде ұстап тұрыңыз.
4. Ара төсемін құрал бекіткішіне алдыңғы жағынан салыңыз.
5. Құлыптау иінірегін босатыңыз.
6. Тартып, төсемнің берік бекітілгенін тексеріңіз.



## 5.6 Сорғыш келте құбырды монтаждау (АҚШ: керек-жарақ) 4

1. Қысқыш тіректі шығарыңыз.
2. Сорғыш келте құбырды қысқыш тіректің саңылауына енгізіңіз.
3. Кішкене майланған қысқыш тіректі қондырғыға толық орнатыңыз.

## 6 Қызмет көрсету

### АБАЙЛАҢЫЗ

**Жарақат алу қаупі қысқа тұйықталудан немесе аккумулятордың құлауынан!**

- ▶ Аккумуляторды орнату алдында аккумулятор контактілерінде және өнімдегі контактілерде бөгде заттардың жоқтығына көз жеткізіңіз.
- ▶ Аккумулятордың әркез дұрыс орнатылғанына көз жеткізіңіз.

Осы құжаттамадағы және өнімдегі қауіпсіздік және ескерту нұсқауларын орындаңыз.

### 6.1 Араны басқару 5

1. Араны арнайы тұтқаларынан ұстаңыз.
2. Араны дайындамаға бағыттаңыз.
3. Араны алға-артқа жылжытыңыз.
  - ↳ Арамен дайындаманы басқан жағдайда ара төсемі сынып, жарақат тигізуі мүмкін.

### 6.2 Аралау 6

#### ЕСКЕРТУ

**Ақаулы монтаждық ілмектен жарақат алу қаупі бар!** Аспаптың құлауы сіз және басқа тұлғалар үшін қауіпті жағдайлар тудыруы мүмкін.

- ▶ Жұмысты бастамастан бұрын монтаждық ілмектің берік бекітілгеніне және зақымдалмағанына көз жеткізіңіз.
1. Тасымалдау кезінде бұғаттау түймесін ажыратып, содан кейін сәндіргішті басыңыз.
    - ↳ Сурет бөлігінде араны тиімді басқару үшін әртүрлі мүмкіндіктер берілген.
  2. Аралау процесін аяқтағаннан кейін, сәндіргішті босатыңыз.
  3. Тасымалдау кезінде бұғаттау түймесін белсендіріңіз.

### 6.3 Ара төсемін алып тастау 7

#### АБАЙЛАҢЫЗ

**Жарақат алу қаупі бар!** Алмалы-салмалы аспап ыстық және/немесе өткір болуы мүмкін.

- ▶ Алмалы-салмалы аспапты ауыстырған кезде қорғауыш қаптаманы тіреңіз.
  - ▶ Ыстық алмалы-салмалы аспапты тұтанғыш беттерге ешқашан қоймаңыз.
1. Тасымалдау кезінде бұғаттау түймесін белсендіріп, аккумуляторды аспаптан суырып шығарыңыз.
  2. Құлыптау иінірегін тоқтағанша жоғары жылжытып, сол күйде ұстап тұрыңыз.
  3. Ара төсемін құрал бекіткішінен шығарыңыз.
  4. Құлыптау иінірегін босатыңыз.

## 7 Күтім және техникалық қызмет көрсету

#### ЕСКЕРТУ

**Аккумулятор енгізілген кезде жарақат алу қаупі бар !**

- ▶ Күтім және техникалық қызмет көрсету бойынша кез келген жұмыстарды орындамас бұрын әрдайым аккумуляторды шығарыңыз!

#### Аспапқа күтім көрсету

- Қатты жабысқан кірді мұқият кетіріңіз.
- Желдету ойықтарын құрғақ қылшақпен жайлап тазалаңыз.



- Корпусты тек сәл суланған шүберекпен тазалаңыз. Ешқандай силикон қамтитын күтім құралдарын пайдаланбаңыз, өйткені олар пластмасса бөлшектерін зақымдауы мүмкін.
- Құрал бекіткішінің сыртын жүйелі түрде тазалап және майлап тұрыңыз. Ол үшін **Hilti** ұсынған 314648 спрейін қолданыңыз.

#### **Литий-иондық аккумуляторға қызмет көрсету**

- Аккумуляторды май мен майлағыштан таза күйінде ұстаңыз.
- Корпусты тек сәл суланған шүберекпен тазалаңыз. Ешқандай силикон қамтитын күтім құралдарын пайдаланбаңыз, өйткені олар пластмасса бөлшектерін зақымдауы мүмкін.
- Ылғалдың кіруін болдырмаңыз.

#### **Техникалық қызмет көрсету**

- Барлық көзге көрінетін бөлшектерде зақымдардың бар-жоғын және басқару элементтерінің ақаусын жұмысын жиі тексеріп тұрыңыз.
- Өнім зақымдалған және/немесе ақаулы болған жағдайда оны пайдаланушы болмаңыз. Бірден **Hilti** қызмет көрсету орталығына жөндетіңіз.
- Күтім және техникалық қызмет көрсету жұмыстарынан кейін барлық қорғауыш құрылғыларды орнатып, жұмысын тексеріңіз.



Қауіпсіз қолдану үшін тек түпнұсқа қосалқы бөлшектер мен жұмсалатын материалдарды қолданыңыз. Біз рұқсат еткен қосалқы бөлшектер, шығын материалдары мен өнімге арналған керек-жарақтар **Hilti Store** дүкенінде немесе келесі веб-сайтта қолжетімді: [www.hilti.group](http://www.hilti.group).

### **7.1 Қысқыш тіректі ауыстыру**



Қажет болса, қысқыш тіректі ауыстыруға болады.

1. Аккумуляторды аспаптан шығарыңыз.
2. Ара төсемін алып тастаңыз. → Бет 137
3. Қылышты араның астыңғы жағындағы қысқыш тірекке арналған қызыл түсті босату түймесін басыңыз.
4. Қысқыш тіректі шығарыңыз.
5. Қылышты араның астыңғы жағындағы қысқыш тірекке арналған қызыл түсті босату түймесін басыңыз.
6. Кішкене майланған қысқыш тіректі қондырғыға толық орнатыңыз.
7. Қысқыш тіректің бекітілгеніне көз жеткізіңіз.

## **8 Аккумуляторлық аспаптарды тасымалдау және сақтау**

### **Тасымалдау**



#### **АБАЙЛАҢЫЗ**

#### **Тасымалдау кезіндегі кенет іске қосылу !**

- ▶ Өніміңізді әрдайым аккумуляторын шығарып алып тасымалдаңыз!
- ▶ Аккумуляторларды шығарыңыз.
- ▶ Аккумуляторларды ешқашан үймеде тасымалдамаңыз.
- ▶ Аспапты немесе аккумуляторларды ұзақ уақыт тасымалдаған соң, оларды пайдалану алдында зақымдарының бар-жоғын тексеріңіз.

### **Сақтау**



#### **АБАЙЛАҢЫЗ**

#### **Бүлінген немесе заряды таусылған аккумуляторлардан күтілмеген зақымдалу !**

- ▶ Өніміңізді әрдайым аккумуляторын шығарып алып сақтаңыз!
- ▶ Аспап пен аккумуляторларды мүмкіндігінше салқын және құрғақ күйінде сақтаңыз.
- ▶ Аккумуляторларды ешқашан күн, жылу көздерінің астында немесе өйнек артында сақтамаңыз.
- ▶ Аспап пен аккумуляторларды балалар мен рұқсаты жоқ адамдардың қолы жетпейтін жерде сақтаңыз.
- ▶ Аспапты немесе аккумуляторларды ұзақ уақыт сақтаған соң, оларды пайдалану алдында зақымдарының бар-жоғын тексеріңіз.





## 9 Ақаулықтардағы көмек

Бұл кестеде келтірілмеген немесе өзіңіз түзете алмайтын ақаулықтар орын алғанда, **Hilti** қызмет көрсету орталығына хабарласыңыз.

### 9.1 Қылышты ара қолданылуға жарамды емес

Ақаулық	Ықтимал себеп	Шешім
Аспап жұмыс істемейді.	Аккумулятор толығымен салынбаған.	▶ Аккумуляторды шерту дыбысы естілгенше тіркөңіз.
	Аккумулятор заряды бос.	▶ Аккумуляторды зарядтаңыз.
	Тасымал сақтандырғышы іске қосылмаған.	▶ Тасымал сақтандырғышын іске қосыңыз.
Ара төсемі құрал бекіткішінен шығарылмайды.	Құлыптау иіңтірегін толық баспаңыз.	▶ Құлыптау иіңтірегі тіркелгенші басыңыз, содан кейін ара дискісін алыңыз.
	Құрал бекіткіші аралау қалдығымен қосылды.	▶ Аралау қалдығын шығарып, құрал бекіткішінің сыртын жүйелі түрде тазалап тұрыңыз. Аспапқа күтім көрсету. → Бет 137

### 9.2 Қылышты ара қолданылуға жарамды

Ақаулық	Ықтимал себеп	Шешім
Аспап толық қуатпен жұмыс істемейді.	Негізгі сөндіргіш толық басылмаған	▶ Негізгі сөндіргішті толық басыңыз.
	Аккумулятор зарядын босатыңыз	▶ Аккумуляторды алмастырып, бос аккумуляторды зарядтаңыз.
Ара төсемі құрал бекіткішінен шығарылмайды.	Құлыптау иіңтірегін толық баспаңыз.	▶ Құлыптау иіңтірегі тіркелгенші басыңыз, содан кейін ара дискісін алыңыз.

## 10 Көдеге жарату

**Hilti** аспаптары қайта өңдеу үшін жарамды көптеген материалдардың санын қамтиды. Көдеге жарату алдында материалдарды мұқият сұрыптау керек. Көптеген елдерде **Hilti** компаниясы ескі аспабыңызды қайта өңдеу үшін қайта қабылдайды. **Hilti** қызмет көрсету орталығынан немесе дилеріңізден сұраңыз.

### Аккумуляторды көдеге жарату

Аккумуляторларды нұсқаулардан тыс көдеге жарату нәтижесінде газ не сұйықтықтың шығуы денсаулыққа қауіп төндіруі мүмкін.

- ▶ Зақымдалған аккумуляторларды жіберуге немесе жөнелтуге болмайды!
- ▶ Қысқа тұйықталуға жол бермеу үшін, қосылымдарды ток өткізбейтін материалмен жауып қойыңыз.
- ▶ Аккумуляторларды балалардың қолына жетпейтіндей етіп көдеге жаратыңыз.
- ▶ Аккумуляторды **Hilti Store** дүкенінде көдеге жаратыңыз немесе жергілікті көдеге жарату кәсіпорнына хабарласыңыз.



- ▶ Электр құралдарды, электрондық құрылғылар мен аккумуляторларды тұрмыстық қоқыспен бірге тастамаңыз!

## 11 RoHS (зиянды заттектердің пайдаланылуын шектеу директивасы)

Төмендегі сілтеме бойынша зиянды заттектердің кестесі келтірілген: [qr.hilti.com/r5962277](http://qr.hilti.com/r5962277).

RoHS кестесінің сілтемесі осы құжаттаманың соңында QR коды ретінде берілген.



- ▶ Кепілдік шарттары туралы сұрақтарыңыз болса, жергілікті **Hilti** серіктесіне хабарласыңыз.



## 1 Dokümantasyon verileri

### 1.1 Bu doküman için

- Çalıştırmadan önce bu dokümanı okuyunuz. Bu, güvenli çalışma ve arızasız kullanım için ön koşuldur.
- Bu dokümanda ve ürün üzerinde bulunan güvenlik ve uyarı bilgilerine dikkat ediniz.
- Kullanım kılavuzunu her zaman ürün üzerinde bulundurunuz ve ürünü sadece bu kılavuz ile birlikte başka kişilere veriniz.

### 1.2 Resim açıklaması

#### 1.2.1 Uyarı bilgileri

Uyarı bilgileri, ürün ile çalışırken ortaya çıkabilecek tehlikelere karşı uyarır. Aşağıdaki uyarı metinleri kullanılır:

#### TEHLİKE

##### TEHLİKE !

- ▶ Ağır vücut yaralanmalarına veya doğrudan ölüme sebep olabilecek tehlikeler için.

#### İKAZ

##### İKAZ !

- ▶ Ağır yaralanmalara veya ölüme neden olabilecek tehlikeler için.





#### DİKKAT

##### DİKKAT !

- ▶ Hafif vücut yaralanmalarına veya maddi hasarlara yol açabilecek olası tehlikeli durumlar için.




#### 1.2.2 Dokümandaki semboller

Bu dokümanda aşağıdaki semboller kullanılmıştır:

	Kullanmadan önce kullanım kılavuzunu okuyunuz
	Kullanım uyarıları ve diğer gerekli bilgiler
	Geri dönüşümlü malzemeler ile çalışma
	Elektrikli aletleri ve aküleri evdeki çöplere atmayınız

#### 1.2.3 Resimlerdeki semboller

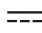
Resimlerde aşağıdaki semboller kullanılmıştır:

	Bu sayılar, kılavuzun başlangıcındaki ilgili resimlere atanmıştır
3	Numaralandırma, resimdeki çalışma adımlarının sırasını göstermektedir ve metindeki çalışma adımlarından farklı olabilir
	Pozisyon numaraları <b>Genel bakış</b> resminde kullanılır ve <b>Ürüne genel bakış</b> bölümündeki açıklama numaralarına referans niteliğindedir
	Bu işaret, ürün ile çalışırken dikkatinizi çekmek için koyulmuştur.



### 1.3 Ürüne bağlı semboller

#### 1.3.1 Üründeki semboller

Üründe aşağıdaki semboller kullanılabilir:

	Doğru akım
n <sub>0</sub>	Yüksüz strok sayısı



	Kablosuz veri aktarımı
Li-Ion	Lityum İyon akü
	Kullanılan <b>Hilti</b> Lityum İyon akü tip serisi. <b>Usulüne uygun kullanım</b> bölümündeki bilgileri dikkate alınız.

## 1.4 Ürün bilgileri

**HILTI** ürünleri profesyonel kullanıcıların kullanımı için öngörülmüştür ve sadece yetkili personel tarafından kullanılabilir ve bakımı yapılabilir. Bu personel, meydana gelebilecek tehlikeler hakkında özel olarak eğitim görmüş olmalıdır. Aletin ve ilgili yardımcı gereçlerin eğitimsiz personel tarafından usulüne uygun olmayan şekilde kullanılması ve amaçları dışında çalıştırılması sonucu tehlikeli durumlar söz konusu olabilir.

Tip tanımı ve seri numarası, tip plakası üzerinde belirtilmiştir.

- Seri numarasını aşağıdaki tabloya aktarınız. Ürün bilgileri acente veya servis merkezini aradığınızda sorulabilir.

### Ürün bilgileri

Panter testere	SR 30-A36
Nesil	01
Seri no.	

## 1.5 Uygunluk beyanı

Burada tanımlanan ürünün, geçerli yönetmeliklere ve normlara uygun olduğunu kendi sorumluluğumuzda beyan ederiz. Bu dokümantasyonun sonunda uygunluk beyanının bir kopyasını bulabilirsiniz.

Teknik dokümantasyonlar eklidir:

**Hilti** Entwicklungsgesellschaft mbH | Zulassung Geräte | Hiltistraße 6 | 86916 Kaufering, DE

## 2 Güvenlik

### 2.1 Elektrikli el aletleri için genel güvenlik uyarıları

**⚠ İKAZ** Bu elektrikli el aletine yönelik tüm güvenlik uyarılarını, talimatları, resimli açıklamaları ve teknik verileri dikkatlice okuyunuz. Aşağıdaki talimatlara uyulmaması durumunda elektrik çarpması, yangın ve/veya ağır yaralanmalar söz konusu olabilir.

**Tüm güvenlik uyarılarını ve kullanım talimatlarını muhafaza ediniz.**

Güvenlik uyarılarında kullanılan "Elektrikli el aleti terimi, şebeke işletimli elektrikli el aletleri (şebeke kablosu ile) veya akü işletimli elektrikli el aletleri (şebeke kablosu olmadan) ile ilgilidir.

#### İş yeri güvenliği

- **Çalışma alanınızı temiz ve aydınlık tutunuz.** Düzensiz veya aydınlatma olmayan çalışma alanları kazalara yol açabilir.
- **Yanıcı sıvıların, gazların veya tozların bulunduğu patlama tehlikesi olan yerlerde elektrikli el aleti ile çalışmayınız.** Elektrikli el aletleri, toz veya buharı yakabilecek kıvılcım oluşturur.
- **Elektrikli el aletini kullanırken çocukları ve diğer kişileri uzak tutunuz.** Dikkatiniz dağılırsa aletin kontrolünü kaybedebilirsiniz.

#### Elektrik güvenliği

- **Elektrikli el aletinin bağlantı fişi prize uygun olmalıdır. Fiş hiçbir şekilde değiştirilmemelidir. Adaptör fişini topraklama korumalı elektrikli el aletleri ile birlikte kullanmayınız.** Değiştirilmemiş fişler ve uygun prizler elektrik çarpması riskini azaltır.
- **Borular, radyatörler, fırınlar ve buzdolapları gibi toprağa temas eden üst yüzeylere vücudunuzla temas etmekten kaçınınız.** Vücudunuzun toprakla teması var ise yüksek bir elektrik çarpması riski söz konusudur.
- **Elektrikli el aletini yağmurdan veya ıslaklıktan uzak tutunuz.** Elektrikli el aletine su girmesi, elektrik çarpması riskini artırır.
- **Elektrikli el aletini taşımak, asmak veya fişi prizden çekmek için bağlantı kablosunu kullanım amacı dışında kullanmayınız. Bağlantı kablosunu sıcaktan, yağdan, keskin kenarlardan ve hareketli parçalardan uzak tutunuz.** Hasarlı veya dolanmış bağlantı kabloları elektrik çarpması riskini artırır.



- ▶ **Elektrikli bir el aleti ile açık alanda çalışacaksanız, sadece dışarıda kullanımına izin verilen uzatma kabloları kullanınız.** Dış mekanlar için uygun olan uzatma kablolarının kullanılması elektrik çarpması riskini azaltır.
- ▶ **Elektrikli el aleti işletiminin nemli ortamda yapılması kaçınılmaz ise bir kaçak akım koruma şalteri kullanınız.** Bir kaçak akım koruma şalterinin kullanımı elektrik çarpması riskini azaltır.

#### Kişilerin güvenliği

- ▶ **Dikkatli olunuz, ne yaptığınıza dikkat ediniz ve elektrikli el aleti ile mantıklı bir şekilde çalışınız.** Yorgunsanız veya uyuşturucu, alkol veya ilaç etkisi altında olduğunuzda elektrikli el aleti kullanmayınız. Elektrikli el aletini kullanırken bir anlık dikkatsizlik ciddi yaralanmalara neden olabilir.
- ▶ **Kişisel koruyucu donanım ve her zaman bir koruyucu gözlük takınız.** Elektrikli el aletinin türüne ve kullanımına göre toz maskesi, kaymayan güvenlik ayakkabısı, koruyucu kask veya kulaklık gibi kişisel koruyucu donanımların kullanılması yaralanma riskini azaltır.
- ▶ **İstem dışı çalışmayı önleyiniz. Güç kaynağına ve/veya aküyü bağlamadan, girişini yapmadan veya taşımadan önce elektrikli el aletinin kapalı olduğundan emin olunuz.** Elektrikli el aletini taşırken parmağınız şalterde ise veya alet açık konumda güç kaynağına takılırsa bu durum kazalara yol açabilir.
- ▶ **Elektrikli el aletini devreye almadan önce ayar aletlerini veya vidalama anahtarlarını çıkartınız.** Dönen bir alet parçasında bulunan bir alet veya anahtar yaralanmalara yol açabilir.
- ▶ **Aşırı bir vücut hareketinden sakınınız. Güvenli bir duruş sağlayınız ve her zaman dengeli tutunuz.** Böylece beklenmedik durumlarda elektrikli el aletini daha iyi kontrol edebilirsiniz.
- ▶ **Uygun kıyafetler giyiniz. Bol kıyafetler giymeyiniz veya takı takmayınız. Saçları, kıyafetleri ve eldivenleri hareket eden parçalardan uzak tutunuz.** Bol kıyafetler, takı veya uzun saçlar hareket eden parçalara takılabilir.
- ▶ **Toz emme ve tutma tertibatları monte edilebiliyorsa bunların bağlı olduğundan ve doğru kullanıldığında emin olunuz.** Bu toz emme tertibatının kullanımı tozdan kaynaklanabilecek tehlikeleri azaltabilir.
- ▶ **Kendi güvenliğinizi riske atmayınız ve elektrikli el aletleri kullanımında sone derece tecrübeli olsanız bile ilgili güvenlik kurallarını ihlal etmeyiniz.** Dikkatsiz kullanım saniyeler içerisinde ciddi yaralanmalara neden olabilir.

#### Elektrikli el aletinin kullanımı ve çalıştırılması

- ▶ **Aleti çok fazla zorlamayın. Çalışmanız için uygun olan elektrikli el aletini kullanın.** Uygun elektrikli el aleti ile bildirilen hizmet alanında daha iyi ve güvenli çalışırsınız.
- ▶ **Şalteri bozuk olan elektrikli el aletini kullanmayınız.** Açılıp kapatılmayan bir elektrikli el aleti tehlikelidir ve tamir edilmesi gerekir.
- ▶ **Alet ayarlarını yapmadan, aksesuar parçalarını değiştirmeden veya aleti bir yere koymadan önce fişi prizden ve/veya (çıkartılabilir) aküyü aletten çıkarınız.** Bu önlem, elektrikli el aletinin istem dışı çalışmasını engeller.
- ▶ **Kullanılmayan elektrikli el aletlerini çocukların erişemeyeceği yerde muhafaza edin. Aleti iyi tutanmayan veya bu talimatları okumamış kişilere aleti kullanılmayınız.** Elektrikli el aletleri bilgisiz kişiler tarafından kullanılırsa tehlikelidir.
- ▶ **Elektrikli el aletlerinin ve aksesuarlarının bakımını titizlikle yapınız. Hareketli parçaların kusursuz çalıştığı ve sıkışmadığı, parçaların kırılıp kırılmadığı veya hasar görüp görmediği, elektrikli el aleti fonksiyonlarının kısıtlanma durumlarını kontrol ediniz. Hasarlı parçaları aleti kullanmadan önce tamir ettiriniz.** Birçok kazanın nedeni bakımın kötü yapılan elektrikli el aletleridir.
- ▶ **Kesme aletlerini keskin ve temiz tutun.** Özenle bakımı yapılmış keskin bıçak kenarı olan kesme aletleri daha az sıkışır ve kullanımı daha rahattır.
- ▶ **Elektrikli el aletini, aksesuarları, ek aletleri vb. bu talimatlara göre kullanın. Çalışma şartlarını ve yapılacak işi de ayrıca göz önünde bulundurun.** Elektrikli el aletlerinin öngörülen kullanımı dışında kullanılması tehlikeli durumlara yol açabilir.
- ▶ **Tutamayı ve tutamak yüzeylerini daima temiz ve yağ ve gresten arındırılmış durumda tutunuz.** Kaygan tutamaklar ve tutamak yüzeyleri güvenli bir kullanımı ve öngörülemez durumlarda elektrikli el aletinin kontrolünü engeller.

#### Akülü el aletinin kullanımı ve çalıştırılması

- ▶ **Akülleri sadece üretici tarafından tavsiye edilen şarj cihazları ile şarj ediniz.** Belirli bir akü için uygun olan bir şarj cihazı, başka aküllerle kullanılırsa yanma tehlikesi vardır.
- ▶ **Elektrikli el aletlerinde sadece bunun için öngörülen aküler kullanılmalıdır.** Başka akülerin kullanılması yaralanmalara ve yanma tehlikelerine yol açabilir.
- ▶ **Kullanılmayan akülleri, kontakların köprülmesine sebep olabilecek ataçlar, madeni paralar, anahtarlar, çiviler, vidalar veya diğer küçük metal cisimlerden uzak tutunuz.** Akü kontakları arasındaki kısa devre yanmalara veya alev oluşumuna sebep olabilir.



- ▶ **Yanlış kullanımda aküden sıvı çıkabilir. Bunlar ile teması önleyiniz. Yanlışlıkla temasta su ile durulayınız. Sıvı gözlere temas ederse ayrıca doktor yardımı isteyiniz.** Dışarı akan akü sıvısı cilt tahrişine ve yanmalarına yol açabilir.
- ▶ **Hasarlı veya değiştirilmiş aküleri kullanmayınız.** Hasarlı veya değiştirilmiş aküler öngörülemeyen şekilde yangın, patlama veya yaralanma tehlikesi içeren tutumlara neden olabilir.
- ▶ **Aküleri açık ateş yakınına koymayınız veya yüksek sıcaklıklara maruz bırakmayınız.** Açık ateş veya 130°C'nin (265°F) üzerinde sıcaklıklar patlama tehlikesine neden olabilir.
- ▶ **Tüm şarj talimatlarına uyunuz ve aküyü veya akülü aleti kullanım kılavuzunda öngörülen sıcaklık aralığının dışında şarj etmeyiniz.** Hatalı şarj veya öngörülen sıcaklık aralığının dışındaki şarj işlemleri akünün zarar görmesine ve yangın tehlikesine neden olabilir.

### Servis

- ▶ **Elektrikli el aletinizi sadece kalifiye uzman personele ve sadece orijinal yedek parçalar ile tamir ettiriniz.** Böylece aletin güvenliğinin korunduğundan emin olunur.
- ▶ **Hasarlı akülere bakım yapmayınız.** Akülere yönelik tüm bakım çalışmaları sadece üretici veya yetkili müşteri hizmetleri tarafından yapılmalıdır.

## 2.2 İleri-geri hareket eden testere bıçağı ile testereleme için ek güvenlik uyarıları

- ▶ **Kullandığınız aletin gizli elektrik hatlarına temas edebileceği yerlerde çalışıyorsanız ek aleti izole edilmiş tutamaklardan tutunuz.** Elektrik ileten bir hat ile temasta metal parçalar da gerilim altında kalır ve elektrik çarpmasına neden olabilir.
- ▶ **Keseceğiniz parçayı kısırarak veya başka bir şekilde sabit bir zemine sabitleyip, emniyete alınız.** Keseceğiniz parçayı sadece elinizle veya vücudunuza dayayarak tutmanız halinde, parça sağlam durmaz ve kontrol kaybına yol açabilir.

## 2.3 Testere ile kesme için ek güvenlik uyarıları

### Kişilerin güvenliği

- ▶ Ellerinizi kesme alanı ve testere bıçağı bölümüne getirmeyiniz. Diğer elinizle ilave tutamağı veya motor gövdesini tutunuz. Testereyi her iki elinizle tutarsanız, testere ile kesme sırasında elleriniz yaralanmaz.
- ▶ Ürünü sadece teknik açıdan sorunsuz durumda kullanınız.
- ▶ Alette hiçbir zaman manipülasyonlar veya değişiklikler yapmayınız.
- ▶ Alet değişimi sırasında koruyucu eldiven takınız. Ek alete takılan uçlara dokunmak, kesik ve yanık türünde yaralanmalara yol açabilir.
- ▶ Çalışmaya başlamadan önce çalışma sırasında ortaya çıkan tozun tehlike sınıfını öğreniniz. Ülkemizdeki tozdan koruma yönergelerine uygun bir resmi koruma sınıfına sahip toz emme tertibatı kullanınız. Kurşun içeren boyalar gibi malzemelerin tozu, bazı ahşap türleri, kuvars içeren beton / duvar / taşlar, mineraller ve metaller sağlığa zarar verebilir.
- ▶ Çalışma yerinin iyi havalandırmasını sağlayınız ve gerektiği durumlarda ilgili toz için uygun olan bir maske kullanınız. Tozlara dokunulması veya tozların solunması, kullanıcıda veya yakınında bulunan kişilerde alerjik reaksiyonlara ve/veya solunum yolu hastalıklarına yol açabilir. Asbest içerikli malzemeler sadece uzman kişiler tarafından işlenmelidir.
- ▶ İşlenen parçanın altına elinizi sokmayınız.
- ▶ Kesilecek olan iş parçasını asla elinizde veya bacağınızın üstünde tutmayınız. İş parçasını sağlam bir yuvada emniyete alınız.
- ▶ Aleti her zaman her iki elinizle öngörülen tutamaklarından tutunuz ve kollarınızı geri tepmelere karşı koyabileceğiniz bir konuma getiriniz.
- ▶ Tutamakları kuru ve temiz tutunuz.
- ▶ Testere bıçağının yanında durunuz, testere bıçağını asla vücudunuz ile temas edecek yöne getirmeyiniz. Bir geri tepme durumunda testere geriye doğru fırlayabilir!
- ▶ Testere bıçağı sıkışır veya çalışmaya ara vermeniz gerekirse, testereyi kapatınız ve testere bıçağı hareketsiz duruma gelene kadar testereyi sabit tutunuz. Testere bıçağı hareket ettiği veya geri teptiği sürece testereyi hiçbir zaman iş parçasından çıkarmayı denemeyiniz veya geriye doğru çekmeyiniz.
- ▶ İşlenen parça içindeki testereyi tekrar çalıştırmak istiyorsanız, testere bıçağını testere boşluğunda merkezleyiniz ve testere bıçağı dişlerinin işlenen parçaya sıkışmamış olmasına dikkat ediniz.
- ▶ Kesme işlemi sırasında mevcut duvarlara veya diğer görülmeyen bölgelere karşı özellikle dikkat ediniz. Daldırılan testere bıçağı kesme sırasında gizli nesnelere bloke edebilir ve bir geri tepmeye neden olabilir.



## Elektrik güvenliği

- ▶ Çalışmaya başlamadan önce çalışma alanında üzeri kapatılmış elektrik kablosu, gaz ve su borusu bulunup bulunmadığını kontrol ediniz. Bir elektrik hattına yanlışlıkla zarar verilmesi halinde aletin dışındaki metal parçalar elektrik çarpmasına neden olabilir.
- ▶ Kullandığınız aletin gizli elektrik hatlarına temas edebileceği yerlerde çalışıyorsanız ek aleti izole edilmiş tutamaklardan tutunuz. Elektrik ileten bir hat ile temasta metal parçalar da gerilim altında kalır ve elektrik çarpmasına neden olabilir.

## Elektrikli el aletleri ile dikkatli çalışılması ve aletin doğru kullanılması

- ▶ Kör veya hasarlı testere bıçaklarını kullanmayınız. Bu, testere bıçağının fazla aşınmasına, sıkışmasına veya geri tepmesine neden olabilir.
- ▶ Kullanım ve depolama konusunda testere bıçağı üreticisinin talimatlarına dikkat ediniz.
- ▶ Alet, baskı pabucu ile işlem yapılacak iş parçasına doğru bastırılmalıdır. Bu işlem en uygun ve güvenli çalışmayı sağlar.
- ▶ Uygun bir koruyucu kıyafet sizi sıcak talaşlardan korur.

## 2.4 Ek güvenlik uyarıları

- ▶ Ürünü sadece teknik açıdan sorunsuz durumdayken kullanınız.
- ▶ Alette hiçbir zaman manipülasyonlar veya değişiklikler yapmayınız.
- ▶ Kör veya hasarlı testere bıçaklarını kullanmayınız. Bu, testere bıçağının fazla aşınmasına, sıkışmasına veya geri tepmesine neden olabilir.
- ▶ Çalışmaya başlamadan önce çalışma alanında üzeri kapatılmış elektrik kablosu, gaz ve su borusu bulunup bulunmadığını kontrol ediniz. Bir elektrik hattına yanlışlıkla zarar verilmesi halinde aletin dışındaki metal parçalar elektrik çarpmasına neden olabilir.
- ▶ İş parçasını sağlam bir yuvada emniyete alınız. Kesilecek olan iş parçasını asla elinizde veya bacağına üstünde tutmayınız.
- ▶ Ürünü çalışma pozisyonunda çalıştırmaya başlayınız.
- ▶ Çalışırken aleti daima vücudunuzdan uzakta tutunuz.
- ▶ Özellikle büyük çaplı borularda uygun kesme hızında, orta seviyede baskı uygulayarak çalışınız. Bu aletin aşırı ısınmasını engeller.
- ▶ Boru hatlarının kesilmesi sırasında, hattın içinde sıvı bulunmadığından emin olunuz. Gerekliyse bunu boşaltınız.
- ▶ Boru hatlarının kesilmesi sırasında aleti kesilecek hattan daha yüksek tutunuz.
  - ↳ Alet, nem girişine karşı bir korumaya sahip değildir. Taşan sıvı alette kısa devreye neden olabilir.
- ▶ Bilmediğiniz zeminleri kesinlikle kesmeyiniz ve kesme yolunun üstünü ve altını boş tutunuz.
  - ↳ Testere bıçağı bir nesneye rastladığında alette bir geri tepmeye neden olur.
- ▶ Alet değişimi sırasında koruyucu eldiven takınız. Ek alete takılan uçlara dokunmak, kesik ve yanık türünde yaralanmalara yol açabilir.
- ▶ Kullanımda olmadığı zamanlarda, bakım çalışmalarından, alet değişimlerinden önce ve nakliye esnasında aküyü daima çıkartınız.
- ▶ Aletin taşınması veya saklanması esnasında taşıma emniyetini devreye alınız.
- ▶ Kullanım ve depolama konusunda testere bıçağı üreticisinin talimatlarına dikkat ediniz.
- ▶ Aletin kullanımı esnasında kullanıcı ve çevresinde bulunan kişiler uygun bir koruyucu gözlük, koruyucu kask, kulaklık, koruyucu eldiven ve hafif solunum koruma maskesi kullanılmalıdır.
- ▶ Her zaman uygun uzunlukta bir testere bıçağı kullanınız. Testere bıçağı komple strok esnasında iş parçasının üzerine çıkmalıdır.
- ▶ Parmaklarınızdaki kan dolaşımının iyi olması için çalışma molaları veriniz ayrıca gevşetme ve parmak egzersizleri yapınız.
- ▶ Dekupaj teskeresinin ışığına (LED) doğrudan bakmayınız ve ışığı doğrudan başkalarının yüzüne doğru tutmayınız. "Kör olma tehlikesi" vardır.
- ▶ Etrafa sıçrayan malzeme vücudu ve gözleri yaralayabilir. Kişisel koruyucu donanım, koruyucu gözlük ve koruyucu eldiven takılmalıdır.
- ▶ Kıırma çalışmalarında, çalışılacak yerin karşı tarafında bulunan bölgeyi emniyete alınız.

## 2.5 Akülü aletlerin özenli çalıştırılması ve kullanımı

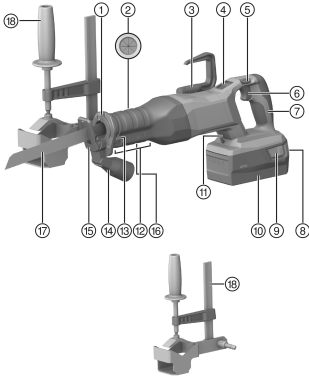
- ▶ Lityum İyon akülerin taşıma, depolama ve kullanımına yönelik özel talimatları dikkate alınız.
- ▶ Aküler, yüksek sıcaklıklarda, doğrudan güneş ışığından ve ateşten uzak tutulmalıdır.
- ▶ Aküler parçalarına ayrılmamalı, ezilmemeli, 80°C üzerine ısıtılmamalı veya yakılmamalıdır.



- ▶ Darbe almış, bir metreden daha yüksek bir yerden düşmüş veya başka bir şekilde hasar görmüş aküleri kullanmayınız veya şarj etmeyiniz. Bu durumda her zaman **Hilti servisi** ile irtibat kurunuz.
- ▶ Akü tutulamayacak kadar sıcaksa arızalı olabilir. Ürünü yanıcı malzemelerden yeterli bir uzaklıkta, gözlemleyebileceğiniz yanmaz bir zemin üzerine koyunuz ve soğuması için bırakınız. Bu durumda her zaman **Hilti servisi** ile irtibat kurunuz.

### 3 Tanımlama

#### 3.1 Ürüne genel bakış



- ① Alet bağlantı yeri
- ② Kesme adaptörü bağlantı yeri
- ③ Katlanır iskele kancası
- ④ Devir sayısı ön seçimi
- ⑤ taşıma emniyeti
- ⑥ Kumanda şalteri
- ⑦ Arka tutamak
- ⑧ akü şarj durumu göstergesi
- ⑨ Akü kilit açma tuşu
- ⑩ Akü
- ⑪ Emniyet deliği
- ⑫ Ön tutma alanı
- ⑬ Testere bıçağını serbest bırakma kolu
- ⑭ Emme bağlantısı (ABD: Aksesuar)
- ⑮ Baskı pabucu
- ⑯ Baskı pabucu serbest bırakma düğmesi
- ⑰ Testere bıçağı
- ⑱ Kesme adaptörü (aksesuar)

#### 3.2 Usulüne uygun kullanım

Tanımlanan ürün akülü bir panter testeredir. Bu testere özellikle ahşabın, ahşap benzeri ve metalik malzemelerin ve ayrıca plastiklerin kesilmesi için tasarlanmıştır.

Bu ürün, iki elle kullanım için tasarlanmıştır.

- ▶ Bu ürün için sadece B 36 tip serisi **Hilti** Lityum İyon aküler kullanılmalıdır.
- ▶ Bu aküler için sadece C4/36 serisi **Hilti** şarj cihazları kullanınız.

#### 3.3 Olası yanlış kullanım

- ▶ Tuğla, beton, gaz beton, taş veya fayans kesmeyiniz.
- ▶ Ürünü, içinde hala sıvı bulunan hatları kesmek için kullanmayınız.
- ▶ Bilmediğiniz zeminleri kesmeyiniz.

#### 3.4 Lityum İyon akü göstergesi

Lityum İyon akülerin şarj durumu ve aletin arızaları Lityum İyon akülerin göstergesiyle görüntülenir. Lityum İyon akülerin şarj durumu, her iki kilit açma tuşuna hafifçe basarak görüntülenebilir.

Durum	Anlamı
4 LED yanıyor.	Şarj durumu: %75 ile %100 arası
3 LED yanıyor.	Şarj durumu: %50 ile %75 arası
2 LED yanıyor.	Şarj durumu: %25 ile %50 arası
1 LED yanıyor.	Şarj durumu: %10 ile %25 arası
1 LED yanıp sönüyor.	Şarj durumu: < %10
1 LED yanıp sönüyor, alet çalışmaya hazır değil.	Akü aşırı ısınmış veya tamamen boşalmış.
4 LED yanıp sönüyor, alet çalışmaya hazır değil.	Alet aşırı yüklü veya aşırı ısınmış.







Kumanda şalterine basılıyken ve kumanda şalteri bırakıldıktan sonra 5 saniye içinde şarj durumu sorgusu yapmak mümkün değildir.

Akü göstergesinin LED'leri yanıp söndüğünde lütfen Arızalar bölümündeki uyarıları dikkate alınız.

### 3.5 Teslimat kapsamı

Panter Testere, Kullanım Kılavuzu.

Ürünleriniz için izin verilen diğer sistem ürünlerini **Hilti Store** veya şu adreste bulabilirsiniz: **www.hilti.group**.

## 4 Teknik veriler

	SR 30-A36
Nominal gerilim	36 V
EPTA prosedürü 01 uyarınca ağırlık	5,2 kg
Strok sayısı (Kademe 1)	2.000 dev/dak
Strok sayısı (Kademe 2)	2.800 dev/dak
Strok uzunluğu	32 mm
Alet bağlantı yeri	0,5 in
İşletim sırasındaki ortam sıcaklığı	-17 °C ... 60 °C
Depolama sıcaklığı	-20 °C ... 70 °C

### 4.1 EN 62841 uyarınca ses bilgisi ve titreşim değerleri

Bu talimatlarda belirtilen ses basıncı ve titreşim değerleri, ilgili normlara uygun bir ölçüm metodu ile ölçülmüştür ve elektrikli el aletlerinin birbirleri ile karşılaştırılması için kullanılabilir. Zorlanmaların geçici olarak değerlendirilmesine de uygundur.

Belirtilen değerler, elektrikli el aletinin ana kullanım alanlarını temsil eder. Elektrikli el aletinin, farklı ek aletlerle veya yetersiz bakım yapılmış şekilde kullanılması durumunda, veriler sapma gösterebilir. Bu durum, toplam çalışma süresi boyunca zorlanmayı belirgin şekilde yükseltebilir.

Doğru bir zorlanma değerlendirmesi için aletin kapatıldığı veya çalışır konumda olduğu ve ayrıca kullanım olmadığı zamanlar da dikkate alınmalıdır. Bu durum, toplam çalışma süresi boyunca zorlanmayı belirgin şekilde azaltabilir.

Kullanıcıyı ses ve/veya titreşimin etkilerinden koruyacak ek güvenlik önlemleri belirleyiniz, örneğin: Elektrikli el aletinin ve ek aletlerin bakımının yapılması, ellerin sıcak tutulması, iş akışlarının düzenlenmesi.

#### Gürültü bilgileri

	SR 30-A36
Ses gücü seviyesi ( $L_{WA}$ )	96 dB(A)
Ses gücü seviyesi için emniyetsizlik ( $K_{WA}$ )	5 dB(A)
Ses basıncı seviyesi ( $L_{pA}$ )	85 dB(A)
Ses basıncı seviyesi için emniyetsizlik ( $K_{pA}$ )	5 dB(A)

#### Toplam titreşim değerleri

	SR 30-A36
Sunta levhaların testerelemesi sonucu oluşan titreşim emisyon değeri ( $a_{n,B}$ )	22,5 m/sn <sup>2</sup>
Sunta levhalarının testerelemesi için emniyetsizlik (K)	3,7 m/sn <sup>2</sup>
Ahşap kirişlerinin testerelemesi sonucu oluşan titreşim emisyon değeri ( $a_{n,WB}$ )	20,5 m/sn <sup>2</sup>
Ahşap kirişlerin testerelemesi için emniyetsizlik (K)	3,3 m/sn <sup>2</sup>

### 4.2 Akü

Akü çalışma gerilimi	36 V
İşletim sırasındaki ortam sıcaklığı	-17 °C ... 60 °C



Depolama sıcaklığı	-20 °C ... 40 °C
Şarj başlangıcında akü sıcaklığı	-10 °C ... 45 °C

## 5 Çalışma hazırlığı

### DİKKAT

#### Yaralanma tehlikesi kazara çalışmaya başlama nedeniyle!

- ▶ Aküyü takmadan önce ilgili ürünün kapalı konumda olduğundan emin olunuz.
- ▶ Cihazın ayarlarını yapmadan veya aksesuarları değiştirmeden önce aküyü çıkartınız.

Bu dokümanda ve ürün üzerinde bulunan güvenlik ve uyarı bilgilerine dikkat ediniz.

### 5.1 Akünün şarj edilmesi

1. Şarj etmeden önce şarj cihazının kullanım kılavuzunu okuyunuz.
2. Akü ve şarj cihazının kontaklarının temiz ve kuru olmasına dikkat ediniz.
3. Aküyü izin verilen şarj cihazında şarj ediniz.

### 5.2 Akünün yerleştirilmesi

#### DİKKAT

#### Yaralanma tehlikesi kısa devre veya akünün düşmesi nedeniyle!

- ▶ Aküyü yerleştirmeden önce, akü kontaklarında ve ürün içindeki kontaklarda yabancı cisim bulunmadığından emin olunuz.
- ▶ Akünün her zaman tam oturduğundan emin olunuz.

1. İlk kullanım öncesinde akü tamamen şarj edilmelidir.
2. Aküyü, duyulur şekilde yerine oturana kadar cihaz tutucusuna bastırınız.
3. Akünün alette emniyetli bir şekilde yerleşip yerleşmediğini kontrol ediniz.


### 5.3 Akünün çıkartılması

1. Akünün kilit açma tuşlarına basınız.
2. Aküyü alet tutucudan çekiniz.

### 5.4 İskele kancasının monte edilmesi (Aksesuar)

1. Taşıma emniyetini devreye alınız.
2. İskele kancasını monte ediniz.

### 5.5 Testere bıçağının yerleştirilmesi

 Yalnızca 1/2"-uç girişli testere bıçaklarını kullanınız.

1. Taşıma emniyetini etkinleştiriniz veya aküyü aletten çıkarınız.
2. Aletin giriş ucunun temiz olup olmadığını ve hafif yağlanıp yağlanmadığını kontrol ediniz. Gerekirse giriş ucunu temizleyiniz ve yağlayınız.
3. Kilitleme kolunu dayanak noktasına kadar yukarı itiniz ve bu konumda tutunuz.
4. Testere bıçağını önden alet bağlantı yerine doğru bastırınız.
5. Kilitleme kolunu, geri kayması için bırakınız.
6. Testere bıçağını çekerek yerine oturup oturmadığını kontrol ediniz.

### 5.6 Emme bağlantısının monte edilmesi (ABD: Aksesuar)

1. Baskı pabucunu çekerek çıkarınız.
2. Emme bağlantısını baskı pabucu bağlantısına yerleştiriniz.
3. Hafifçe yağlanmış olan baskı pabucunu tamamen kılavuza yerleştiriniz.



## 6 Kullanım

### ⚠ DİKKAT

#### Yaralanma tehlikesi kısa devre veya akünün düşmesi nedeniyle!

- ▶ Aküyü yerleştirmeden önce, akü kontaklarında ve ürün içindeki kontaklarda yabancı cisim bulunmadığından emin olunuz.
- ▶ Akünün her zaman tam oturduğundan emin olunuz.

Bu dokümanda ve ürün üzerinde bulunan güvenlik ve uyarı bilgilerine dikkat ediniz.

### 6.1 Testerenin kullanılması 5

1. Testereyi öngörülen tutamaklardan tutunuz.
2. Testereyi iş parçasına kadar ilerletiniz.
3. Testereyi ileri ve geri sürünüz.
  - ↳ Testereyi iş parçasına bastırmak testere bıçağının kırılmasına ve yaralanmalara sebep olabilir.

### 6.2 Testereleme 6

#### ⚠ İKAZ

**Anızalı iskele kancası nedeniyle yaralanma tehlikesi!** Aletin düşmesi, size veya etrafınızdakilere zarar verebilir.

- ▶ Çalışmaya başlamadan önce iskele kancasının emniyetli bir şekilde sabitlenip sabitlenmediğini ve hasar görüp görmediğini kontrol ediniz.
1. Nakliye emniyetini devre dışı bırakınız ve kumanda şalterine basınız.
    - ↳ Görselede testereyi kullanmanın farklı ve etkili yollarını bulabilirsiniz.
  2. Kesme işlemini tamamladığınızda, kumanda şalterini bırakınız.
  3. Taşıma emniyetini devreye alınız.

### 6.3 Testere bıçağının çıkarılması 7

#### ⚠ DİKKAT

**Yaralanma tehlikesi!** Ek alet sıcak ve/veya keskin kenarlı olabilir.

- ▶ Ek aleti değiştirirken koruyucu eldiven takınız.
  - ▶ Sıcak ek aleti asla yanıcı zeminlere bırakmayınız.
1. Taşıma emniyetini etkinleştiriniz veya aküyü aletten çıkarınız.
  2. Kilitleme kolunu dayanak noktasına kadar yukarı itiniz ve bu konumda tutunuz.
  3. Testere bıçağını alet bağlantı yerinden öne doğru çekiniz.
  4. Kilitleme kolunu, geri kayması için bırakınız.

## 7 Bakım ve onarım

#### ⚠ İKAZ

**Takılı aküden dolayı yaralanma tehlikesi !**

- ▶ Tüm bakım ve onarım çalışmalarından önce her zaman aküyü çıkarınız!

#### Alet bakımı

- Yapışmış olan kir dikkatlice çıkarılmalıdır.
- Havalandırma deliklerini kuru bir fırça ile dikkatlice temizleyiniz.
- Gövde sadece hafif nemli bir bezle temizlenmelidir. Plastik parçalara yapışabileceğinden silikon içerikli bakım maddeleri kullanılmamalıdır.
- Alet bağlantı yerini düzenli olarak dıştan temizleyiniz ve yağlayınız. Bunun için lütfen **Hilti** spreyi 314648 kullanınız.

#### Lityum İyon akülerin bakımı

- Akü temiz ve yağ ve gresten uzak tutulmalıdır.



- Gövde sadece hafif nemli bir bezle temizlenmelidir. Plastik parçalara yapışabileceğinden silikon içerikli bakım maddeleri kullanılmamalıdır.
- Aletin içine nem girişi engellenmelidir.

### Bakım

- Görünür tüm parçalarda hasar olup olmadığı ve kumanda elemanlarının sorunsuz şekilde çalıştığı kontrol edilmelidir.
- Hasar ve/veya fonksiyon arızaları durumunda ürün çalıştırılmamalıdır. Derhal **Hilti** servisi tarafından onarılmalıdır.
- Bakım ve onarım çalışmalarından sonra tüm koruma tertibatları yerleştirilmeli ve fonksiyonları kontrol edilmelidir.

**i** Güvenli çalışma için sadece orijinal yedek parçalar ve sarf malzemeleri kullanınız. Tarafımızdan onaylanmış, yedek parçaları, aksesuarları ve sarf malzemelerini **Hilti Store** veya adresinde bulabilirsiniz. [www.hilti.group](http://www.hilti.group).

## 7.1 Baskı pabucu değişikliği

**i** Baskı pabucu ihtiyaç duyulması halinde değiştirilebilir.

1. Aküyü çıkarınız.
2. Testere bıçağını çıkarınız. → Sayfa 149
3. Panter testerenin alt tarafındaki kırmızı renkli baskı pabucu serbest bırakma düğmesine basınız.
4. Baskı pabucunu çekerek çıkarınız.
5. Panter testerenin alt tarafındaki kırmızı renkli baskı pabucu serbest bırakma düğmesine basınız.
6. Hafifçe yağlanmış olan baskı pabucunu tamamen kılavuza yerleştiriniz.
7. Baskı pabucunun yerine oturduğunu kontrol ediniz.

## 8 Akü aletlerinin taşınması ve depolanması

### Taşıma

#### DİKKAT

#### Taşıma sırasında aletin istem dışı çalışması !

- ▶ Ürünlerinizi her zaman aküler takılı olmadan taşıyınız!
- ▶ Akülerin çıkarılması.
- ▶ Aküler kesinlikle sıkıca bağlanmamış koruma ile taşınmamalıdır.
- ▶ Uzun süren depolama sonrası kullanmadan önce aletin ve akülerin hasar görmüş olup olmadığını kontrol ediniz.

### Depolama

#### DİKKAT

#### Arızalı veya akan aküler nedeniyle beklenmeyen hasar oluşumu !

- ▶ Ürünlerinizi her zaman aküleri yerleştirmeden depolayınız!
- ▶ Aleti ve aküleri mümkün olduğunca soğuk ve kuru yerde depolayınız.
- ▶ Aküleri kesinlikle güneşte, sıcakta veya cam levhaların arkasında depolamayınız.
- ▶ Aleti ve aküleri çocukların ve yetki verilmeyen kişilerin ulaşamayacağı yerlerde depolayınız.
- ▶ Uzun süren depolama sonrası kullanmadan önce aletin ve akülerin hasar görmüş olup olmadığını kontrol ediniz.

## 9 Arıza durumunda yardım

Bu tabloda listelenmemiş veya kendi başınıza gideremediğiniz arızalarda lütfen yetkili **Hilti** servisimiz ile irtibat kurunuz.



### 9.1 Panter testere çalışmıyor

Arıza	Olası sebepler	Çözüm
Alet çalışmıyor.	Akü yerine tamamen takılmamış.	► Aküyü bir klik sesi ile yerine oturtunuz.
	Akü boş.	► Aküyü şarj ediniz.
	Taşıma emniyeti devrede değil.	► Taşıma emniyetini devreye alınız.
Testere bıçağı, alet bağlantı yerinden çıkarlamıyor.	Kilitleme kolu dayanak noktasına kadar bastırılmamış.	► Kilitleme kolunu dayanak noktasına kadar bastırınız ve testere bıçağını çıkarınız.
	Alet bağlantı yeri testereleme kalıntıları ile tıkanmış.	► Testereleme kalıntıları çıkartınız ve alet bağlantı yerini düzenli olarak dıştan temizleyiniz. Alet bakımı. → Sayfa 149

### 9.2 Panter testere çalışıyor

Arıza	Olası sebepler	Çözüm
Alet, tam güce sahip değil.	Kumanda şalteri tam basılı değil	► Kumanda şalterine iyice basınız.
	Batarya deşarj olmuş	► Aküyü değiştiriniz ve boş aküyü şarj ediniz.
Testere bıçağı, alet bağlantı yerinden çıkarlamıyor.	Kilitleme kolu dayanak noktasına kadar bastırılmamış.	► Kilitleme kolunu dayanak noktasına kadar bastırınız ve testere bıçağını çıkarınız.

## 10 İmha

**Hilti** aletleri yüksek oranda geri dönüşümlü malzemelerden üretilmiştir. Geri dönüşüm için gerekli koşul, usulüne uygun malzeme ayırımıdır. Çoğu ülkede **Hilti**, eski aletlerini yeniden değerlendirmek üzere geri alır. Bu konuda **Hilti** müşteri hizmetlerinden veya satış temsilcinizden bilgi alabilirsiniz.

### Akülerin imha edilmesi

Akülerin usulüne uygun imha edilmemesi halinde, dışarı çıkan gaz ve sıvılar nedeniyle sağlık sorunları oluşabilir.

- Hasar görmüş aküleri hiç bir şekilde göndermeyiniz!
- Kısa devreleri önlemek için, akünün bağlantılarını iletken olmayan bir malzeme ile kapatınız.
- Aküleri, çocukların ellerine geçmeyecek şekilde imha ediniz.
- Aküyü size en yakın **Hilti Store** da imha ediniz veya imha etmek için yetkili şirketinize başvurunuz.



- Elektrikli el aletlerini, elektronik cihazları ve aküleri evdeki çöplere atmayınız!

## 11 RoHS (Tehlikeli madde kullanımını kısıtlama direktifi)

Aşağıdaki linkte tehlikeli maddeler tablosunu bulabilirsiniz: [qr.hilti.com/r5962277](http://qr.hilti.com/r5962277).

RoHS tablosunun linkini bu dokümanın sonunda QR kodu olarak bulabilirsiniz.

## 12 Üretici garantisi

- Garanti koşullarına ilişkin sorularınız için lütfen yerel **Hilti** iş ortağınıza başvurunuz.



## 1.1 حول هذا المستند

- اقرأ هذه المستندات بالكامل قبل التشغيل. يعتبر هذا شرطا للعمل بشكل آمن والاستخدام بدون اختلالات.
- تراعى إرشادات الأمان والإرشادات التحذيرية الواردة في هذا المستند وعلى الجهاز.
- احتفظ بيدل الاستعمال دائما مع المنتج، ولا تعطي الجهاز لآخرين إلا مرفقا بهذا الدليل.

## 2.1 شرح العلامات

### 1.2.1 إرشادات تحذيرية

تنبه الإرشادات التحذيرية إلى الأخطار الناشئة عند التعامل مع الجهاز. يتم استخدام الكلمات الدليلية التالية:



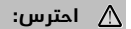
**خطر!**

◀ تشير لخطر مباشر يؤدي لإصابات جسدية خطيرة أو إلى الوفاة.



**تحذير!**

◀ تشير لخطر محتمل قد يؤدي لإصابات جسدية خطيرة أو إلى الوفاة.



**احترس!**

◀ تشير لموقف خطر محتمل يمكن أن يؤدي لإصابات جسدية خفيفة أو أضرار مادية.

### 2.2.1 الرموز في المستند

يتم استخدام الرموز التالية في هذا المستند:

قبل الاستخدام اقرأ دليل الاستعمال	
إرشادات الاستخدام ومعلومات أخرى مفيدة	
التعامل مع مواد قابلة لإعادة التدوير	
لا تتخلص من الأجهزة الكهربائية البطاريات ضمن القمامة المنزلية	

### 3.2.1 الرموز في الصور

تستخدم الرموز التالية في الرسوم التوضيحية:

2	تشير هذه الأعداد إلى الصور المعنية بمطلع هذا الدليل
3	ترقيم الصور يمثل ترتيب خطوات العمل في الصور، وقد يختلف عن ترقيم خطوات العمل في النص
11	يتم استخدام أرقام المواضع في صورة العرض العام وهي تشير إلى أرقام تعليق الصورة في فصل عرض عام للمنتج
!	ينبغي أن تسترعي هذه العلامة اهتماما خاصا عند التعامل مع المنتج.



## 3.1 الرموز المرتبطة بالمنتج

### 1.3.1 الرموز على المنتج

قد تكون الرموز التالية مستخدمة على المنتج:

==	تيار مستمر
----	------------



عدد الأضواط بلا حمل	n <sub>0</sub>
نقل البيانات لاسلكيا	
بطارية أيونات الليثيوم	Li-Ion
بطاريات أيونات الليثيوم Hilti المستخدمة من النوع. احرص على مراعاة التعليمات الواردة في الفصل الاستخدام المطابق للتعليمات.	

#### 4.1 معلومات المنتج

منتجات **Hilti** مصممة للمستخدمين المحترفين ويقصر استعمالها وصيانتها وإصلاحها على الأشخاص المعتمدين والمدرّبين جيّدا. هؤلاء الأشخاص يجب أن يكونوا قد تلقوا تدريباً خاصاً على الأخطار الطارئة. قد يتسبب الجهاز وأدواته المساعدة في حدوث أخطار إذا تم التعامل معها بشكل غير سليم فنياً من قبل أشخاص غير مدربين أو تم استخدامها بشكل غير مطابق للتعليمات.

يوجد مسمى الطراز والرقم المسلسل على لوحة الصنع.

انقل الرقم المسلسل في الجدول التالي. ستحتاج إلى بيانات المنتج في حالة الاستفسارات الموجهة إلى ممثلينا أو مركز الخدمة.

#### بيانات المنتج

المنشأ الترددي	SR 30-A36
الجيل	01
الرقم المسلسل	

#### 5.1 بيان المطابقة

نفر على مسؤوليتنا الفردية بأن المنتج المشروح هنا متوافق مع التشريعات والمواصفات المعمول بها. تجد صورة لبيان المطابقة في نهاية هذا المستند.

المستندات الفنية محفوظة هنا:

Hilti Entwicklungsgesellschaft mbH | Zulassung Geräte | Hiltistraße 6 | 86916 Kaufering, DE

## 2 السلامة

### 1.2 إرشادات السلامة العامة المتعلقة بالأدوات الكهربائية

**⚠ تحذير احرص على قراءة جميع إرشادات السلامة، التوجيهات، الصور التوضيحية والمواصفات الفنية المرفقة مع هذه الأداة الكهربائية.** أي تفصيل أو إهمال في الالتزام بالتعليمات التالية قد يتسبب في حدوث صق كهربائي، نشوب حريق و/أو وقوع إصابات خطيرة.

**احتفظ بجميع مستندات إرشادات السلامة والتعليمات لاستخدامها عند الحاجة إليها فيما بعد.**

يقصد بمصطلح «الأداة الكهربائية» المذكور في إرشادات السلامة الأدوات الكهربائية المشغلة بالكهربياء (باستخدام كابل الكهربياء) أو الأدوات الكهربائية المشغلة بالبطاريات (بدون كابل الكهربياء).

#### سلامة مكان العمل

- حافظ على نطاق عملك نظيفاً ومضاءً بشكل جيد. الفوضى أو أماكن العمل غير المضاءة يمكن أن تؤدي لوقوع حوادث.
- لا تعمل بالأداة الكهربائية في محيط معرض لخطر الانفجار يتواجد به سوائل أو غازات أو أنواع غبار قابلة للاشتعال. الأدوات الكهربائية تولد شرراً يمكن أن يؤدي لإشعال الغبار والأبخرة.
- احرص على إبعاد الأطفال والأشخاص الآخرين أثناء استخدام الأداة الكهربائية. في حالة انصراف انتباهك قد تفقد السيطرة على الجهاز.

#### السلامة الكهربائية

- يجب أن يكون قابس توصيل الأداة الكهربائية متلائماً مع المقبس. لا يجوز تعديل القابس بأي حال من الأحوال. لا تستخدم قوايس مهايأة مع أدوات كهربائية ذات وصلة أرضي محمية. القوايس غير المعدلة والمقابس الملائمة تقلل من خطر حدوث صدمة كهربائية.
- تجنب حدوث تلامس للجسم مع أسطح مؤرضة مثل الأسطح الخاصة بالمواسير وأجهزة التدفئة والمواقد والثلاجات. ينشأ خطر متزايد من حدوث صدمة كهربائية عندما يكون جسمك متصلاً بالأرض.



- أبعد الأدوات الكهربائية عن الأمطار أو البلى. تسرب الماء إلى داخل الأداة الكهربائية يزيد من خطر حدوث صدمة كهربائية.
- لا تستخدم كابل التوصيل لحمل الأداة الكهربائية أو تعليقها أو لسحب القابس من المقبس. احتفظ بكابل التوصيل بعيدا عن السخونة والزيت والمواف الحادة والأجزاء المتحركة. كابلات التوصيل التالفة أو المتشابكة تزيد من خطر حدوث صعق كهربائي.
- عندما تعمل بأداة كهربائية في مكان مكشوف، فلا تستخدم سوى كابلات الإطالة المناسبة للعمل في النطاق الخارجي. استخدام كابل إطالة مناسب للعمل في النطاق الخارجي يقلل من خطر حدوث صعق كهربائي.
- إذا تعذر تجنب تشغيل الأداة الكهربائية في محيط رطب، فاستخدم مفتاح حماية من تسرب التيار. استخدام مفتاح الحماية من تسرب التيار يقلل خطر حدوث صدمة كهربائية.

#### سلامة الأشخاص

- كن يقظا واثبت يديك لتجنب التعرض للصدمة الكهربائية. لا تستخدم الأداة الكهربائية عندما تكون متعبا أو تحت تأثير المخدرات أو الكحوليات أو العقاقير. فقد يتسبب عدم الانتباه للحظة واحدة أثناء الاستخدام في حدوث إصابات بالغة.
- ارتد تجهيزات وقاية شخصية وارتد دائما نظارة واقية. ارتداء تجهيزات وقاية شخصية، مثل قناع الوقاية من الغبار وأحذية الأمان المضادة للانزلاق وخوذة الوقاية أو واقى السمع، تبعا لنوع واستخدام الأداة الكهربائية، يقلل من خطر الإصابات.
- تجنب التشغيل بشكل غير مقصود. تأكد أن الأداة الكهربائية مطفأة قبل توصيلها بالكهرباء و/أو بالبطارية وقبل رفعها أو حملها. إذا كان إصبعك على المفتاح عند حمل الأداة الكهربائية أو كان الجهاز في وضع التشغيل عند التوصيل بالكهرباء، فقد يؤدي ذلك لوقوع حوادث.
- أبعد أدوات الضبط أو مفاتيح ربط البراغي قبل تشغيل الأداة الكهربائية. الأداة أو المفتاح المتواجد في جزء دوار من الجهاز يمكن أن يؤدي لحدوث إصابات.
- تجنب اتخاذ وضع غير طبيعي للجسم. احرص على أن تكون واقفا بأمان وحافظ على توازنك في جميع الأوقات. من خلال ذلك تستطيع السيطرة على الأداة الكهربائية بشكل أفضل في المواقف المفاجئة.
- ارتد ملابس مناسبة. لا ترتد ملابس فضفاضة أو حلي. احرص على أن يكون الشعر والملابس والقفازات بعيدة عن الأجزاء المتحركة. الملابس الفضفاضة أو الحلي أو الشعر الطويل يمكن أن تشبك في الأجزاء المتحركة.
- إذا أمكن تركيب تجهيزات شفت وتجميع الغبار، فتأكد أنها موصلة ومستخدمة بشكل سليم. استخدام تجهيزة شفت الغبار يمكن أن يقلل الأخطار الناتجة عن الغبار.
- لا تعتقد بأنك في مأمن عن الخطر ولا تتجاهل تشريعات السلامة المعنية للأدوات الكهربائية، حتى وإن كنت على دراية بالأداة الكهربائية بعد تكرار استخدامها. التعامل مع الجهاز بدون حذر قد يؤدي إلى وقوع إصابات بالغة في جزء من الثانية.

#### استخدام الأداة الكهربائية والتعامل معها

- لا تفرط في التحميل على الجهاز. استخدم الأداة الكهربائية المناسبة للعمل الذي تقوم به. استخدم الأداة الكهربائية المناسبة يتبع لك العمل بشكل أفضل وأكثر أمانا في نطاق العمل المقرر.
- لا تستخدم أداة كهربائية ذات مفتاح تالف. الأداة الكهربائية التي لم يعد يمكن تشغيلها أو إطفائها تمثل خطورة ويجب إصلاحها.
- اسحب القابس من المقبس و/أو اخلع البطارية القابلة للخلع من الجهاز قبل إجراء عمليات الضبط، أو استبدال أجزاء الملحقات أو عند ترك الجهاز. هذا الإجراء الوقائي يمنع بدء تشغيل الأداة الكهربائية دون قصد.
- احتفظ بالأدوات الكهربائية غير المستخدمة بعيدا عن متناول الأطفال. لا تسمح باستخدام الجهاز من قبل أشخاص ليسوا على دراية به أو لم يقرءوا هذه التعليمات. الأدوات الكهربائية خطيرة في حالة استخدامها من قبل أشخاص ليست لديهم الخبرة الواجبة.
- اعتني جيدا بالأدوات الكهربائية والملحقات. افحص الأجزاء المتحركة من حيث أداؤها لوظيفتها بدون مشاكل وعدم انحصارها وافحصها من حيث وجود أجزاء مكسورة أو متعرضة للضرر يمكن أن تؤثر سلبا على وظيفة الأداة الكهربائية. اعمل على إصلاح الأجزاء التالفة قبل استخدام الجهاز. الكثير من الحوادث مصدرها الأدوات الكهربائية التي تم صيانتها بشكل رديء.
- حافظ على أدوات القطع حادة ونظيفة. تتميز أدوات القطع ذات حواف القطع الحادة المعتنى بها بدقة بأنها أقل عرضة للتعتثر وأسهل في التعامل.





- استخدم الأداة الكهربائية والملحقات وأدوات العمل وخلافه طبقاً لهذه التعليمات. احرص في هذه الأثناء على مراعاة اشتراطات العمل والمهمة المراد تنفيذها. استخدام الأدوات الكهربائية في تطبيقات غير تلك المقررة لها يمكن أن يؤدي لمواقف خطيرة.
- حافظ على المقابض ومواضع المسك في حالة جافة ونظيفة وخالية من الزيت والشحم. المقابض ومواضع المسك الانزلاقية تحول دون استعمال الأداة الكهربائية والتحكم بها بشكل آمن في المواقف غير المتوقعة.
- استخدام الأداة العاملة بالبطارية والتعامل معها
  - لا تشحن البطارية إلا في أجهزة شحن موصى بها من قبل الجهة الصانعة. بالنسبة لجهاز الشحن المناسب لنوع معين من البطاريات، ينشأ خطر الحريق عند استخدامه مع بطاريات أخرى.
  - لا تضع في الأدوات الكهربائية سوى البطاريات المخصصة لها. استخدام بطاريات أخرى يمكن أن يؤدي لوقوع إصابات وخطر الحريق.
  - أبعد البطارية غير المستخدمة عن مشابك الورق وقطع النقود المعدنية والمفاتيح والمسامير والبراغي أو الأشياء المعدنية الصغيرة الأخرى التي يمكن أن تتسبب في توصيل الملامسين لبعضهما. حدوث قفلة كهربائية بين أطراف توصيل البطارية يمكن أن ينتج عنه حدوث حروق أو نشوب حريق.
  - عند الاستخدام بشكل خاطئ يمكن أن يتسرب سائل من البطارية. تجنب ملامسته. اشطفه بالماء في حالة ملامسته عن طريق الخطأ. إذا وصل السائل للعينين، فتوجه للطبيب علاوة على ذلك. سائل البطارية المتسرب يمكن أن يؤدي لتيجع البشرة أو حدوث حروق.
  - لا تستخدم بطارية تالفة أو مختلفة. البطاريات التالفة أو المختلفة قد تتفاعل مع نفسها بشكل غير متوقع مما يؤدي لنشوب حريق أو حدوث انفجار أو وقوع إصابات.
  - لا تعرض البطارية للنار أو لدرجات حرارة مرتفعة للغاية. حيث قد تؤدي النار ودرجات الحرارة الزائدة عن 130 م° (265 ف°) إلى حدوث انفجار.
  - التزم بكافة التعليمات المعنية بالشحن، ولا تقم أبداً بشحن البطارية أو الأداة العاملة بالبطارية خارج نطاق درجة الحرارة الوارد ذكره في دليل التشغيل. الشحن بشكل خاطئ أو خارج نطاق درجة الحرارة المسوح به قد يتلف البطارية ويزيد من خطر الحريق.

#### الفدمة

- اعمل على إصلاح أدواتك الكهربائية على أيدي فنيين معتمدين فقط والاقصر على استخدام قطع الغيار الأصلية. وبذلك تتأكد من الحفاظ على سلامة الجهاز.
- لا تقم أبداً بصيانة البطاريات التالفة. يجب أن تتم جميع أعمال الصيانة بمعرفة الجهة الصانعة فقط أو من خلال مراكز خدمة العملاء المعتمدين.

### 2.2 المزيد من إرشادات السلامة للمنشير المزودة بشفرة منشار تتحرك ذهاباً وجيئة

- أمسك الجهاز من مواضع المسك المعزولة عند إجراء أعمال يحتمل فيها أن تتلاصق أداة الشغل مع أسلاك كهربائية مخفية. حيث أن ملامسة سلك يسري فيه التيار الكهربائي يمكن أن ينقل الجهد الكهربائي للأجزاء المعدنية بالجهاز ويؤدي لحدوث صدمة كهربائية.
- قم بتثبيت وتأمين أداة الشغل على سنادة متينة باستخدام قامطات أو بأي طريقة أخرى. أما إذا قمت بمسك قطعة الشغل بيدك أو سندها بجسمك، فستظل غير مستقرة، وقد يؤدي هذا إلى فقدان السيطرة.

### 3.2 إرشادات السلامة الإضافية المتعلقة بالقطع بالمنشار

#### سلامة الأشخاص

- لا تدخل يديك في نطاق النشر ولا تلامس شفرة المنشار. أمسك بيدك الأخرى المقبض الإضافي أو جسم المرحك. عندما تكون اليدين ممسكتين بالمنشار، فلا يمكن أن يتعرضوا للإصابة نتيجة القطع بالمنشار.
- اقتصر على استخدام المنتج وهو في حالة سليمة من الناحية الفنية.
- لا تقم أبداً بأية تدخلات أو تغييرات على الجهاز.
- ارتد قفازاً واقياً أثناء تغيير الأدوات. ملامسة أداة الشغل قد تؤدي لوقوع إصابات بجروح قطعية وإصابة بحروق.
- احرص قبل بدء العمل على معرفة فئة خطر الغبار الناشئ عند إجراء العمل. استخدم شفاط غبار أعمال الإنشاءات ذي فئة حماية مصرح بها رسمياً ومطابق للتعليمات المحلية الخاصة بالحماية من الغبار. الغبار الناتج عن خامات مثل الطلاء المحتوي على الرصاص وبعض أنواع الأخشاب والخرسانة/الجران والصخور الممتوية على الكوارتز والمعادن الصخرية والمعادن هو غبار ضار بالصحة.
- احرص على وجود توبة جيدة لمكان العمل وارتد عند اللزوم قناع تنفس مخصص لنوعية الغبار المنبعث. ملامسته أو استنشاقه قد يسبب أعراض حساسية و/أو أمراض الجهاز التنفسي للمستخدم أو للأشخاص



المتواجدين على مقربة منه. لا يجوز التعامل مع المواد المحتوية على الأسبستوس إلا من قبل فنيين متخصصين.

- ◀ لا تضع يدك تحت قطعة الشغل.
- ◀ لا تمسك قطعة الشغل التي تريد قطعها بالمنشار أبداً باليد أو تضعها فوق ساقك. وقم بتثبيت قطعة الشغل على قاعدة ثابتة.
- ◀ أمسك الجهاز دائماً بكلتا اليدين جيداً من المقابض المعنية، واجعل ذراعيك في وضع يتيح لك امتصاص قوى الارتداد.
- ◀ حافظ على جفاف ونظافة المقابض.
- ◀ قف دائماً في وضع جانبي لشفرة المنشار، ولا تجعل شفرة المنشار على خط واحد أبداً مع جسمك. في حالة حدوث ارتداد، فقد يرتد المنشار للخلف!
- ◀ إذا تعرضت شفرة المنشار للانحصار أو توقفت عن العمل، فأوقف المنشار واحتفظ به في قطعة الشغل في وضع ساكن، إلى أن تتوقف شفرة المنشار تماماً. لا تحاول أبداً نزع المنشار من قطعة الشغل أو سببه للخلف طالما كانت شفرة المنشار تتحرك، وإلا فقد يحدث ارتداد.
- ◀ إذا أردت إعادة تشغيل منشار وهو داخل قطعة الشغل، فقم بمركزة شفرة المنشار في شق النشر وتحقق من أن أسنان المنشار ليست عالقة في قطعة الشغل.
- ◀ احرص على توخي الحذر الشديد عند القطع بالمنشار في الجدران القائمة أو النطاقات الأخرى الكامنة. فشفرة المنشار المتوغلة في السطح يمكن أن تصطدم بأشياء مخفية أثناء القطع وتتسبب في حدوث ارتداد.

### السلامة الكهربائية

- ◀ قبل بدء الأعمال افحص نطاق العمل من حيث وجود توصيلات كهرباء مغطاة أو مواسير للغاز والماء. الأجزاء المعدنية الخارجية بالجهاز يمكن أن تتسبب في صدمة كهربائية، إذا قمت دون قصد بإتلاف إحدى توصيلات التيار.
- ◀ أمسك الجهاز من مواضع المسك المعزولة عند إجراء أعمال يحتمل فيها أن تتلامس أداة الشغل مع أسلاك كهربائية مخفية. حيث أن ملامسة سلك يسري فيه التيار الكهربائي يمكن أن ينقل الجهد الكهربائي للأجزاء المعدنية بالجهاز ويؤدي لحدوث صدمة كهربائية.

### الاستخدام والتعامل بعناية مع الأدوات الكهربائية

- ◀ لا تستخدم شفرات مناشير ثلثة أو متضررة. حيث إن هذه الشفرات تتسبب في زيادة الاحتكاك، انحصار أو ارتداد شفرة المنشار.
- ◀ احرص على مراعاة تعليمات الجهة الصانعة بخصوص طريقة التعامل مع شفرات المنشار وحفظها.
- ◀ يجب أن يكون المنتج مضغوطاً جيداً باللقمة الضاغطة على قطعة الشغل المراد معالجتها. ومن شأن ذلك أن يضمن إجراء الأعمال بصورة مثالية وأمنة.
- ◀ احرص على حماية نفسك من الشظايا الساخنة بارتداء ملابس حماية مناسبة.

### 4.2 إرشادات إضافية للسلامة

- ◀ اقتصر على استخدام المنتج وهو في حالة سليمة من الناحية الفنية.
- ◀ لا تقم أبداً بأيّة تدخلات أو تغييرات على الجهاز.
- ◀ لا تستخدم شفرات مناشير ثلثة أو متضررة. حيث إن هذه الشفرات تتسبب في زيادة الاحتكاك، انحصار أو ارتداد شفرة المنشار.
- ◀ قبل بدء الأعمال افحص نطاق العمل من حيث وجود توصيلات كهرباء مغطاة أو مواسير للغاز والماء. الأجزاء المعدنية الخارجية بالجهاز يمكن أن تتسبب في صدمة كهربائية، إذا قمت دون قصد بإتلاف إحدى توصيلات التيار.
- ◀ وقم بتثبيت قطعة الشغل على قاعدة ثابتة. لا تمسك قطعة الشغل التي تريد قطعها بالمنشار أبداً باليد أو تضعها فوق ساقك.
- ◀ اقتصر على تشغيل المنتج في وضع العمل فقط.
- ◀ قم دائماً بإبعاد الجهاز عن جسمك عند قيامك بتنفيذ الأعمال.
- ◀ اضغط الجهاز بشكل معتدل أثناء العمل واستخدم سرعة قطع مناسبة، خصوصاً في حالة المواسير ذات القطر الكبير. فمن شأن ذلك الحيلولة دون سخونة الجهاز بشكل مفرط.
- ◀ تأكد عند قطع خطوط الأنابيب أن خطوط الأنابيب لم تعد تحتوي على أية سوائل. قم عند اللزوم بتفريغها من السوائل.
- ◀ احرص عند قطع خطوط الأنابيب على أن يكون الجهاز أعلى من خط الأنابيب المراد قطعه.
- ◀ لا يتمتع الجهاز بأيّة حماية ضد تسرب الرطوبة. وقد يتسبب السائل المتسرب في حدوث قفلة كهربائية بالجهاز.



- ◀ لا تقم أبداً بالقطع في خامات غير معروفة، واحرص على إخلاء مسار القطع بأعلى وأسفل من العوائق.
- ◀ إذا اصطدمت شفرة المنشار بشيء ما، فقد يتسبب ذلك في ارتداد الجهاز بقوة.
- ◀ ارتد قفازا واقيا أثناء تغيير الأدوات. ملاسمة أداة الشغل قد تؤدي لوقوع إصابات بجروح قطعية وإصابة برقوق.
- ◀ احرص دائماً على خلع البطارية في حالة عدم الاستخدام، قبل الصيانة، عند تغيير الأدوات وأثناء النقل.
- ◀ قم بتفعيل وسيلة تأمين النقل عند تخزين ونقل الجهاز.
- ◀ احرص على مراعاة تعليمات الجهة الصانعة بخصوص طريقة التعامل مع شفرات المنشار وحفظها.
- ◀ أثناء استخدام الجهاز يجب على المستخدم والأشخاص المتواجدين بالقرب منه استعمال نظارة واقية ملائمة وخوذة حماية وواقي للسمع وقفاز واقية وواقي خفيف للتنفس.
- ◀ استخدم دائما شفرة منشار بطول مناسب. يجب أن تبرز شفرة المنشار خلال الشوط بأكمله فوق قطعة الشغل.
- ◀ خذ قسطاً من الراحة أثناء العمل واحرص على عمل تمارين استرخاء وتمارين للأصابع لتدفق الدم في الأصابع بشكل أفضل.
- ◀ لا تنظر بشكل مباشر إلى مصدر الإضاءة (لمبة LED) ولا تقم بتوجيه الإضاءة إلى أوجه أشخاص آخرين. فهناك خطر الإصابة بالعمى.
- ◀ الشظايا المتطايرة يمكن أن تصيب الجسم والعينين. احرص دائماً على ارتداء تجهيزات الحماية الشخصية وخاصة النظارة والقفازات الواقية.
- ◀ أثناء أعمال الثقب قم بتأمين النطاق الواقع على الجهة المقابلة للعمل.

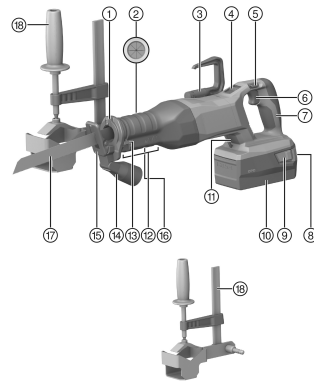
## 5.2 التعامل بعناية مع الأجهزة العاملة بالبطاريات واستخدامها

- ◀ تراعى التعليمات الخاصة لنقل وتخزين وتشغيل بطاريات أيونات الليثيوم.
- ◀ أبعد البطاريات عن النار ودرجات الحرارة المرتفعة وأشعة الشمس المباشرة.
- ◀ لا يجوز تفكيك البطاريات أو سحقها أو وضعها في درجة حرارة أعلى من 80°م أو حرقها.
- ◀ لا تستخدم أو تشحن البطاريات التي تعرضت لصدمات، أو سقطت من ارتفاع يزيد على متر أو تعرضت لأية أضرار أخرى. في هذه الحالة، تواصل دائماً مع خدمة Hilti.
- ◀ في حالة سخونة الشديدة للبطارية بحيث يتعذر الإمساك بها، فقد تكون تالفة. ضع المنتج في مكان غير قابل للاشتعال وعلى مسافة كافية من الخامات القابلة للاشتعال، وحيث يمكن مراقبته، واتركه حتى يبرد. في هذه الحالة، تواصل دائماً مع خدمة Hilti.

## 3 الشرح

### 1.3 نظرة عامة على المنتج 1

- ① ظرف تركيب الأدوات
- ② موضع تثبيت مهايئ القطع
- ③ خطاف تعليق قابل للطي
- ④ الاختيار المسبق لعدد اللفات
- ⑤ وسيلة تأمين النقل
- ⑥ مفتاح التحكم
- ⑦ مقبض خلفي
- ⑧ بيان حالة شحن البطارية
- ⑨ زر تحرير البطارية
- ⑩ البطارية
- ⑪ حلقة التأمين
- ⑫ مقبض أمامي
- ⑬ ذراع تحرير شفرة المنشار
- ⑭ وصلة شفت (الولايات المتحدة الأمريكية: ملحق)
- ⑮ لقمة ضاغطة
- ⑯ زر تحرير اللقمة الضاغطة
- ⑰ شفرة المنشار
- ⑱ مهايئ القطع (ملحق)



### 2.3 الاستخدام المطابق للتعليمات

المنتج الموضع عبارة عن منشار ترددي مشغل بالبطارية. وهو مصمم لقطع الخشب والمواد الشبيهة بالخشب والمواد المعدنية وكذلك المواد البلاستيكية. المنتج مصمم للاستخدام بكلتا اليدين.

- ◀ اقتصر على استخدام بطاريات أيونات الليثيوم Hilti من النوع B 36 مع هذا المنتج.
- ◀ اقتصر على استخدام شواحن Hilti من الفئة C4/36 لهذه البطاريات.

### 3.3 الاستخدام الخاطئ المحتمل

- ◀ لا تستخدم الجهاز في قطع الطوب أو الخرسانة أو الخرسانة الخلوية أو أحجار البناء الطبيعية أو البلاط.
- ◀ لا تستخدم المنتج لقطع الأنابيب المشتملة على سوائل.
- ◀ لا تستخدم المنشار في نشر خامات غير معروفة.

### 4.3 بيان حالة بطارية أيونات الليثيوم

يتم الإشارة إلى حالة شحن بطارية أيونات الليثيوم واختلالات الجهاز عن طريق مبین بطارية أيونات الليثيوم. يتم عرض حالة شحن بطارية أيونات الليثيوم بعد النقر على أحد زرّي البطارية.

الحالة	الاستعمال
4 لمبات LED تضيء.	حالة الشحن: 75 % إلى 100 %
3 لمبات LED تضيء.	حالة الشحن: 50 % إلى 75 %
لمبتا LED تضيئان.	حالة الشحن: 25 % إلى 50 %
لمبة LED واحدة تضيء.	حالة الشحن: 10 % إلى 25 %
لمبة LED واحدة تومض.	حالة الشحن: > 10 %
تومض لمبة LED واحدة، الجهاز غير مستعد للتشغيل.	البطارية شديدة السخونة أو شحنها فرغت تماما.
تومض لمبات LED الأربع، الجهاز غير مستعد للتشغيل.	يوجد تحميل زائد على الجهاز أو الجهاز شديد السخونة.

لا يمكن الاستعلام عن حالة شحن البطارية عند الضغط على مفتاح التحكم أو مرور 5 ثوان من ترك مفتاح التحكم.

في حالة وميض لمبات LED الخاصة بمبين البطارية، يرجى مراعاة الإرشادات الواردة في فصل المساعدة في حالات الاختلالات.

### 5.3 مجموعة التجهيزات الموردة

المنشار الترددي، دليل الاستعمال.  
تجد المزيد من منتجات النظام المسموح بها للمنتج الخاص بك لدى متجر Hilti Store أو على موقع الإنترنت: [www.hilti.group](http://www.hilti.group)

### 4 المواصفات الفنية

SR 30-A36	
36 فلت	الجهد الكهربائي الاسمي
5.2 كجم	الوزن طبقا لبروتوكول EPTA 01
2,000 لفة/دقيقة	عدد الأشواط (الدرجة 1)
2,800 لفة/دقيقة	عدد الأشواط (الدرجة 2)
32 مم	طول الشوط
0.5 بوصة	ظرف تركيب الأدوات
17° ... 60° م	درجة الحرارة المحيطة أثناء التشغيل
20° ... 70° م	درجة حرارة التخزين



#### 1.4 قيم الضوضاء والاهتزاز طبقاً للمواصفة EN 62841

تم قياس ضغط الصوت وقيم الاهتزاز الواردة في هذا الدليل طبقاً لأحد معايير القياس المحددة ويمكن الاستعانة بها في إجراء مقارنة بين الأدوات الكهربائية مع بعضها البعض. وهي مناسبة أيضاً لتقدير حجم المخاطر بصورة أولية.

المواصفات الواردة تتعلق بالاستخدامات الأساسية للأداة الكهربائية. أما إذا تم استخدام الأداة الكهربائية في تطبيقات أخرى مع أدوات شغل مخالفة للمواصفات أو دون صيانة كافية، ففي هذه الحالة قد تختلف المواصفات. وقد يزيد هذا من نسبة المخاطر طوال مدة العمل بصورة واضحة.

وللحصول على تقدير دقيق لحجم المخاطر ينبغي أيضاً مراعاة الأوقات التي يتم فيها إيقاف الجهاز أو التي يتم فيها تشغيل الجهاز ولكن دون استخدام حقيقي. وقد يقلل هذا من نسبة المخاطر طوال مدة العمل بصورة واضحة. احرص على اتخاذ إجراءات إضافية للسلامة من شأنها حماية المستخدم من تأثير الضجيج وأو الاهتزازات مثل: صيانة الأداة الكهربائية وأدوات الشغل والمفاظ على الأيدي في حالة دافئة وتنظيم مراحل العمل.

#### معلومات الضجيج

SR 30-A36	
96 ديسيبل (A)	مستوى شدة الصوت ( $L_{WA}$ )
5 ديسيبل (A)	نسبة التفاوت لمستوى شدة الصوت ( $K_{WA}$ )
85 ديسيبل (A)	مستوى ضغط الصوت ( $L_{pA}$ )
5 ديسيبل (A)	نسبة التفاوت لمستوى ضغط الصوت ( $K_{pA}$ )

#### قيم الاهتزاز الإجمالية

SR 30-A36	
22.5 م/ثانية <sup>2</sup>	قيمة انبعاثات الاهتزاز لنشر ألواح الخشب المضغوط ( $a_{hB}$ )
3.7 م/ثانية <sup>2</sup>	نسبة التفاوت لنشر ألواح الخشب المضغوط (K)
20.5 م/ثانية <sup>2</sup>	قيمة انبعاثات الاهتزاز لنشر الكتل الخشبية ( $a_{hWB}$ )
3.3 م/ثانية <sup>2</sup>	نسبة التفاوت لنشر الكتل الخشبية (K)

#### 2.4 البطارية

36 فلت	جهد تشغيل البطارية
17° م ... 60° م	درجة الحرارة المحيطة أثناء التشغيل
20° م ... 40° م	درجة حرارة التخزين
10° م ... 45° م	درجة حرارة البطارية عند بدء الشحن

#### 5 التحضير للعمل

##### ⚠ احترس:

خطر الإصابة من خلال التشغيل غير المقصود!

- تأكد قبل إدخال البطاريات أن الجهاز المختص مطفأ.
- اخلع البطارية قبل إجراء عمليات ضبط الجهاز أو تغيير أجزاء الملحقات التكميلية.

تراجعى إرشادات الأمان والإرشادات التحذيرية الواردة في هذا المستند وعلى الجهاز.

#### 1.5 شحن البطارية

1. قبل الشحن، قم بقراءة دليل استعمال جهاز الشحن.
2. احرص على أن تكون أطراف تلامس البطارية وجهاز الشحن نظيفة وجافة.
3. قم بشحن البطارية باستخدام شاحن مصرح به.



## 2.5 تركيب البطارية

⚠️ احترس:

## خطر الإصابة من خلال قفلة كهربائية أو سقوط البطارية!

- ◀ تأكد قبل تركيب البطاريات في الجهاز من عدم وجود أجسام غريبة بين أطراف توصيل البطارية والجهاز.
- ◀ تأكد من تثبيت البطارية بشكل صحيح دائما.

1. اشمن البطارية لآخرها تماما قبل التشغيل لأول مرة.
2. قم بتركيب البطارية في حامل الجهاز إلى أن تثبت بصوت مسموع.
3. تفحص البطارية من حيث ثباتها في موضعها بشكل جيد.

## 3.5 خلع البطارية

1. اضغط على أزرار تحرير البطارية.
2. اسحب البطارية من حامل الجهاز.

## 4.5 تركيب خطاف التعليق (ملحق) 2

1. قم بتفعيل وسيلة تأمين النقل.
2. قم بتركيب خطاف التعليق.

## 5.5 تركيب شفرة المنشار 3

ⓘ اقتصر على استخدام شفرات مناشير بطرف إدخال مقاس 1/2 بوصة.

1. قم بتفعيل وسيلة تأمين النقل أو افصل البطارية من الجهاز.
2. تأكد أن طرف إدخال الأداة نظيف ومشحم بشكل خفيف. إذا لزم الأمر قم بتنظيف وتشميم طرف الإدخال.
3. قم بتحريك ذراع التأمين إلى أعلى حتى النهاية واحتفظ به في هذا الوضع.
4. اضغط شفرة المنشار من الأمام في ظرف تركيب الأدوات.
5. اترك ذراع التثبيت يرتد إلى وضعه الأصلي.
6. تأكد من ثبات شفرة المنشار عن طريق جذبها.

## 6.5 تركيب وصلة الشفط (الولايات المتحدة الأمريكية: ملحق) 4

1. اخلع اللقمة الضاغطة.
2. قم بتركيب وصلة الشفط على مركز اللقمة الضاغطة.
3. أدخل اللقمة الضاغطة المشحمة بشكل خفيف في المجرى تماما.

## 6 الاستعمال

⚠️ احترس:

## خطر الإصابة من خلال قفلة كهربائية أو سقوط البطارية!

- ◀ تأكد قبل تركيب البطاريات في الجهاز من عدم وجود أجسام غريبة بين أطراف توصيل البطارية والجهاز.
- ◀ تأكد من تثبيت البطارية بشكل صحيح دائما.

تراجع إلى إرشادات الأمان والإرشادات التحذيرية الواردة في هذا المستند وعلى الجهاز.

## 1.6 توجيه المنشار 5

1. أمسك المنشار من المقابض المخصصة لذلك.
  2. قم بتحريك المنشار حتى يصل إلى قطعة الشغل.
  3. حرك المنشار للأمام وللخلف.
- ⇨ عند الضغط على قطعة الشغل باستخدام المنشار، يمكن أن يتسبب ذلك في كسر شفرة المنشار وبالتالي وقوع إصابات.





**خطر الإصابة من جراء خطاف الهيكل!** الجهاز الذي يتعرض للسقوط قد يعرضك أنت والآخرين للخطر.  
 تأكد قبل بدء العمل أن خطاف الهيكل مثبت بشكل آمن وليس به أضرار.

1. أوقف فعالية وسيلة تأمين النقل واضغط على مفتاح التحكم.  
 ⇨ في جانب الصورة، ستجد إمكانيات مختلفة لتوجيه المنشار بفعالية.
2. بعد الانتهاء من عملية النشر، اترك مفتاح التحكم.
3. قم بتفعيل وسيلة تأمين النقل.

### 3.6 خلع شفرة المنشار 7



**خطر الإصابة!** قد تكون أداة الشغل ساخنة و/أو حادة المواف.  
 ارتد قفازات واقية عند تغيير أداة الشغل.  
 لا تقم أبداً بوضع أداة الشغل الساخنة على أرضيات قابلة للاشتعال.

1. قم بتفعيل وسيلة تأمين النقل أو افصل البطارية من الجهاز.
2. قم بتريك ذراع التأمين إلى أعلى حتى النهاية واحتفظ به في هذا الوضع.
3. أخرج شفرة المنشار من ظرف تركيب الأدوات بجذبها إلى الأمام.
4. اترك ذراع التثبيت يرتد إلى وضعه الأصلي.

### 7 العناية والصيانة



**خطر الإصابة عند تكون البطارية مركبة!**  
 احرص على خلع البطارية دائماً قبل جميع أعمال الإصلاح والعناية!

#### العناية بالجهاز

- قم بإزالة الاتساخ الملتصق بحرص.
- قم بتنظيف فتحات التهوية بحرص باستخدام فرشاة جافة.
- نظف جسم الجهاز باستخدام قطعة قماش مبللة بعض الشيء. لا تستخدم مواد عناية تحتوي على السيليكون لما قد تتسبب فيه من الإضرار بالأجزاء البلاستيكية.
- قم بتنظيف وتزليق ظرف تركيب الأدوات من الخارج بانتظام. ولهذا الغرض استخدم إسبراي 314648 من Hilti.

#### العناية ببطاريات أيونات الليثيوم


- حافظ على البطارية نظيفة وخالية من الزيت والشحم.
- نظف جسم الجهاز باستخدام قطعة قماش مبللة بعض الشيء. لا تستخدم مواد عناية تحتوي على السيليكون لما قد تتسبب فيه من الإضرار بالأجزاء البلاستيكية.
- تجنب تسرب الرطوبة إليها.

#### الصيانة

- افحص جميع الأجزاء المرئية من حيث وجود أضرار وافحص عناصر الاستعمال من حيث كفاءتها الوظيفية.
- في حالة وجود أضرار و/أو اختلالات وظيفية لا تقم بتشغيل المنتج. احرص على الفور على إصلاحه لدى مركز خدمة Hilti.
- بعد أعمال العناية والإصلاح قم بتركيب جميع تجهيزات الحماية وافحصها من حيث الأداء الوظيفي.

للتشغيل الآمن اقتصِر على استخدام قطع الغيار الأصلية وخامات الشغل. تجد قطع الغيار وخامات الشغل والملحقات المصراع بها من قبلنا للمنتج الخاص بك في متجر **Hilti Store** أو على موقع الإنترنت: [www.hilti.group](http://www.hilti.group)




يمكن عند الحاجة تغيير اللقمة الضاغطة. 

1. اخلع البطارية.
2. اخلع شفرة المنشار. – صفحة 161
3. اضغط على زر تمرير اللقمة الضاغطة الاحمر على الجانب السفلي للمنشار الترددي.
4. اخلع اللقمة الضاغطة.
5. اضغط على زر تمرير اللقمة الضاغطة الاحمر على الجانب السفلي للمنشار الترددي.
6. أدخل اللقمة الضاغطة المشحمة بشكل خفيف في المجرى تماماً.
7. افحص موضع تثبيت اللقمة الضاغطة.

## 8 نقل وتخزين الأجهزة العاملة بالبطاريات

### النقل

 **احترس:**

**التشغيل غير مقصود عند النقل!**

- ◀ قم بنقل المنتج دائماً بدون البطاريات!
- ◀ اخلع البطاريات.
- ◀ تجنب نقل البطاريات في كميات سائبة.
- ◀ بعد النقل لمسافة طويلة أو التخزين افحص الجهاز والبطاريات قبل الاستخدام من حيث وجود أضرار.

### التخزين

 **احترس:**

**أضرار غير مقصودة بسبب البطاريات التالفة أو التي بها تسريب.!**

- ◀ قم بتخزين المنتج دائماً بدون البطاريات!
- ◀ يجب تخزين الجهاز والبطاريات في مكان جاف وبارد قدر الإمكان.
- ◀ تجنب تخزين البطاريات تحت أشعة الشمس أو على أجهزة التدفئة أو خلف النوافذ الزجاجية.
- ◀ احرص على تخزين الجهاز والبطاريات في مكان يصعب على الأطفال وغير المؤهلين لاستخدامه الوصول إليه.
- ◀ بعد النقل لمسافة طويلة أو التخزين افحص الجهاز والبطاريات قبل الاستخدام من حيث وجود أضرار.

## 9 المساعدة في حالات الاختلالات

عند حدوث اختلالات غير مذكورة في الجدول أو يتعذر عليك معالجتها بنفسك، فيرجى التوجه إلى مركز خدمة Hilti.

### 1.9 المنشار الترددي غير جاهز للعمل

الخلل	السبب المحتمل	الحل
الجهاز لا يبدأ في العمل.	لم يتم إدخال البطارية حتى النهاية.	◀ قم بتثبيت البطارية حتى سماع صوت التثبيت.
	البطارية فارغة الشحنة.	◀ اشحن البطارية.
تعذر إخراج شفرة المنشار من ظرف تركيب الأدوات.	لم يتم الضغط على وسيلة تأمين النقل.	◀ اضغط على وسيلة تأمين النقل.
	ذراع التأمين ليس مضغوطاً حتى النهاية.	◀ اضغط ذراع التأمين حتى النهاية ثم اخلع شفرة المنشار.
انسداد ظرف تركيب الأدوات من جراء مخلفات النشر.	انسداد ظرف تركيب الأدوات من جراء مخلفات النشر.	◀ قم بإزالة مخلفات النشر وقم بتنظيف ظرف تركيب الأدوات من الخارج بانتظام. العناية بالجهاز. – صفحة 161





الخلل	السبب المحتمل	الحل
الجهاز لا يعمل بكامل قدرته.	مفتاح التحكم ليس مضغوطاً تماماً	اضغط مفتاح التحكم تماماً.
	تفريغ شحنة البطارية	قم بتغيير البطارية واشحن البطارية الفارغة.
تعذر إخراج شفرة المنشار من ظرف تركيب الأدوات.	ذراع التأمين ليس مضغوطاً حتى النهاية.	اضغط ذراع التأمين حتى النهاية ثم اخلع شفرة المنشار.

## 10 التكبين

أجهزة Hilti مصنوعة بنسبة كبيرة من مواد قابلة لإعادة التدوير. يشترط لإعادة التدوير أن يتم فصل الخامات بشكل سليم فنياً. في العديد من الدول تقوم شركة Hilti باستغلال الأجهزة القديمة لإعادة تدويرها. وللمعلومات حول ذلك اتصل بخدمة عملاء Hilti أو الموزع القريب منك.

### التخلص من البطاريات

قد يُشكل التخلص من البطاريات بطريقة غير مطابقة للتعليمات خطراً على الصحة، وذلك من خلال تسرب الغازات أو السوائل.

- ◀ لا تقم بإرسال أو توريد بطاريات تالفة!
- ◀ قم بتغطية التوصيلات باستخدام مادة غير موصلة للكهرباء وذلك لتجنب حدوث قفلات كهربائية.
- ◀ تخلص من البطاريات بحيث لا تصل إلى متناول الأطفال.
- ◀ تخلص من البطارية لدى متجر Hilti Store أو توجه إلى مركز التخلص من النفايات المختص.

◀ لا تعلق الأدوات الكهربائية، الأجهزة الإلكترونية والبطاريات ضمن القمامة المنزلية!



## 11 مواصفة RoHS (مواصفة تقييد استخدام المواد الخطيرة)

تجد جدولاً بالمواد الخطرة تمت الرابط التالي: [qr.hilti.com/r5962277](http://qr.hilti.com/r5962277).  
تجد رابط خاص بجدول المواد التي تخص المواصفة RoHS في نهاية هذا المستند على هيئة كود QR.

## 12 ضمان الجبة الصانعة

◀ في حالة وجود أية استفسارات بخصوص شروط الضمان، يرجى التوجه إلى وكيل Hilti المحلي الذي تتعامل معه.



## 1 文書について

### 1.1 本書について

- ご使用前に本書をすべてお読みください。このことは、安全な作業と問題のない取扱いのための前提条件となります。
- 本書および製品に記載されている安全上の注意と警告表示に注意してください。
- 取扱説明書は常に製品とともに保管し、他の人が使用する場合には、製品と取扱説明書を一緒にお渡しください。

### 1.2 記号の説明

#### 1.2.1 警告表示

警告表示は製品の取扱いにおける危険について警告するものです。以下の注意喚起語が使用されています：

#### 危険

危険！

- ▶ この表記は、重傷あるいは死亡事故につながる危険性がある場合に注意を促すために使われます。

#### 警告

警告！

- ▶ この表記は、重傷あるいは死亡事故につながる可能性がある場合に注意を促すために使われます。





#### 注意

注意！

- ▶ この表記は、軽傷あるいは物財の損傷が発生する可能性がある場合に使われます。




#### 1.2.2 本書の記号

本書では、以下の記号が使用されています：

	使用前に取扱説明書をお読みください
	本製品を効率良く取り扱うための注意事項や役に立つ情報
	リサイクル可能な部品の取扱い
	工具およびバッテリーを一般ゴミとして廃棄してはなりません

#### 1.2.3 図中の記号

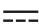
図中では以下の記号が使用されています：

	この数字は本取扱説明書冒頭にある該当図を示しています
3	付番は図中の作業手順の順序に対応していて、本文の作業手順とは一致しない場合があります
	概要図には項目番号が付されていて、製品概要セクションの凡例の番号に対応しています
	この記号は、製品の取扱いの際に特に注意が必要なことを示しています。

### 1.3 製品により異なる記号

#### 1.3.1 製品に表示されている記号

製品には以下の記号が使用されている場合があります：

	直流
$n_0$	無負荷ストローク速度



	無線データ転送
Li-Ion	Li-Ionen バッテリー
	使用されているHilti Li-Ion バッテリーのモデルシリーズ。正しい使用の章の記載に注意してください。

## 1.4 製品情報

製品はプロ仕様で製作されており、その使用、保守、修理を行うのは、認定を受けトレーニングされた人のみに限ります。これらの人は、遭遇し得る危険に関する情報を入手していなければなりません。製品およびアクセサリーの使用法を知らない者による誤使用、あるいは規定外の使用は危険です。機種名および製造番号は銘板に表示されています。

- ▶ 製造番号を以下の表に書き写しておいてください。ヒルティ代理店やサービスセンターへお問い合わせの際には、製品データが必要になります。

### 製品データ

レシプロソー	SR 30-A36
製品世代	01
製造番号	

## 1.5 適合宣言

当社は、単独の責任において本書で説明している製品が有効な基準と標準規格に適合していることを宣言します。適合宣言書の複写は本書の末尾にあります。

技術資料は本書の後続の頁に記載されています：

Hilti Entwicklungsgesellschaft mbH | Zulassung Geräte | Hiltistraße 6 | 86916 Kaufering, DE

## 2 安全

### 2.1 電動工具の一般安全注意事項

**⚠ 警告事項** 本電動工具に付属のすべての安全上の注意、指示事項、図、および製品仕様をお読みください。以下の指示を守らないと、感電、火災および/または重傷事故の危険があります。

安全上の注意および指示事項が書かれた説明書はすべて大切に保管してください。

安全上の注意で使用する用語「電動工具」とは、お手持ちの電動ツール（電源コード使用）またはバッテリーツール（コードレス）を指します。

#### 作業環境に関する安全

- ▶ 作業場はきれいに保ち、十分に明るくしてください。ちらかった暗い場所での作業は事故の原因となります。
- ▶ 爆発の危険性のある環境（可燃性液体、ガスおよび粉じんのある場所）では電動工具を使用しないでください。電動工具から火花が飛散し、粉じんや揮発性ガスに引火する恐れがあります。
- ▶ 電動工具の使用時、子供や無関係者を作業場へ近づけないでください。作業中に気がそらされると、本体のコントロールを失ってしまう恐れがあります。

#### 電気に関する安全注意事項

- ▶ 電動工具の接続プラグは電源コンセントにきちんと適合しなければなりません。プラグは絶対に変更しないでください。保護接地した電動工具と一緒にアダプタープラグを使用しないでください。オリジナルのプラグと適切なコンセントを使用することにより、感電の危険を小さくすることができます。
- ▶ パイプ、ラジエーター、電子レンジ、冷蔵庫などのアースされた面に体の一部が触れないようにしてください。体が触れると感電の危険が大きくなります。
- ▶ 電動工具を雨や湿気から保護してください。電動工具に水が浸入すると、感電の危険が大きくなります。
- ▶ 電動工具を持ち運んだり、吊り下げたり、コンセントからプラグを抜いたりするときは、必ず本体を持ち、電源コードを持ったり引っ張ったりしないでください。電源コードを火気、オイル、鋭利な刃物、可動部等に触れる場所に置かないでください。電源コードが損傷したり絡まったりしていると、感電の危険が大きくなります。
- ▶ 屋外工事の場合には、必ず屋外専用の延長コードを使用してください。屋外専用の延長コードを使用すると、感電の危険が小さくなります。
- ▶ 湿った場所で電動工具を起動させる必要がある場合は、漏電遮断器を使用してください。漏電遮断器を使用すると、感電の危険が小さくなります。



## 作業者に関する安全

- ▶ 電動工具を使用の際には、油断せずに十分注意し、常識をもった作業をおこなってください。疲れている場合、薬物、医薬品服用およびアルコール飲用による影響下にある場合には電動工具を使用しないでください。電動工具使用中の一瞬の不注意が重傷の原因となることがあります。
- ▶ 個人用保護具および保護メガネを常に着用してください。負傷の危険を低減するために、電動工具の使用状況に応じた粉じんマスク、耐滑性の安全靴、ヘルメット、耳栓などの個人用保護具を着用してください。
- ▶ 電動工具の意図しない始動を防止して下さい。電動工具を電源および / またはバッテリーに接続する前や本体を持ち上げたり運んだりする前に、本体がオフになっていることを必ず確認してください。オン / オフスイッチが入っている状態で電動工具のスイッチに指を掛けたまま運んだり、電源に接続したりすると、事故の原因となる恐れがあります。
- ▶ 電動工具のスイッチを入れる前に、必ず調節キーやレンチを取り外してください。調節キーやレンチが本体の回転部に装着されたままでは、けがの原因となる恐れがあります。
- ▶ 作業中は不安定な姿勢をとらないでください。足元を安定させ、常にバランスを保つようにしてください。これにより、万一電動工具が異常状況に陥った場合にも、適切な対応が可能となります。
- ▶ 作業に適した作業着を着用してください。だぶだぶの衣服や装身具を着用しないでください。髪、衣服、手袋を本体の可動部に近づけないでください。だぶだぶの衣服、装身具、長い髪が可動部に巻き込まれる恐れがあります。
- ▶ 吸じんシステムの接続が可能な場合には、これらのシステムが適切に接続、使用されていることを確認してください。吸じんシステムを利用することにより、粉じん公害を防げます。
- ▶ 電動工具の取扱いに熟練している場合にも、正しい安全対策を遵守し、電動工具に関する安全規則を無視しないでください。不注意な取扱いは、ほんの一瞬で重傷事故を招くことがあります。

## 電動工具の使用および取扱い

- ▶ 無理のある使用を避けてください。作業用途に適した電動工具を使用してください。適切な電動工具の使用により、能率よく、スムーズかつ安全な作業が行えます。
- ▶ スイッチが故障している場合には、電動工具を使用しないでください。スイッチで始動および停止操作のできない電動工具は危険ですので、修理が必要です。
- ▶ 本体の設定やアクセサリの交換を行う前や本体を保管する前には電源プラグをコンセントから抜き、および / または脱着式のバッテリーを取り外してください。この安全処置により、電動工具の意図しない始動を防止することができます。
- ▶ 電動工具をご使用にならない場合には、子供の手の届かない場所に保管してください。電動工具に関する知識のない方、本説明書をお読みでない方による本体のご使用は避けてください。未経験者による電動工具の使用は危険です。
- ▶ 電動工具とアクセサリは慎重に手入れしてください。可動部分が引っ掛かりなく正常に作動しているか、電動工具の運転に影響を及ぼす各部分が破損・損傷していないかを確認してください。電動工具をご使用になる前に、損傷部分の修理を依頼してください。事故の多くは保守管理の不十分な電動工具の使用が原因となっています。
- ▶ 先端工具は鋭利で汚れのない状態を保ってください。お手入れのゆきとどいた先端工具を使用すると、作業が簡単かつ、スムーズになります。
- ▶ 電動工具、アクセサリ、先端工具などは、それらの説明書に記載されている指示に従って使用してください。その際は、作業環境および用途についてもご注意ください。指定された用途以外に電動工具を使用すると危険な状況をまねく恐れがあります。
- ▶ グリップとグリップ面は乾燥した清潔な状態に保ち、オイルやグリスの付着がないようにしてください。グリップやグリップ面が滑りやすい状態になっていると、予期していない状況が発生した際に電動工具を安全に使用 / 制御できません。

## バッテリー工具の使用および取扱い

- ▶ バッテリーを充電する場合は、必ずメーカー推奨の充電器を使用してください。特定タイプのバッテリー専用の充電器を他のバッテリーに使用すると、火災の恐れがあります。
- ▶ 電動工具には、必ず指定されたバッテリーを使用してください。指定以外のバッテリーを使用すると、負傷や火災の恐れがあります。
- ▶ 使用されていないバッテリーの近くに、事務用クリップ、硬貨、キー、釘、ネジ、その他の小さな金属物を置かないでください。電気接点の短絡が起こることがあります。バッテリーの電気接点間が短絡すると、火傷や火災が発生する危険があります。
- ▶ 正しく使用しないと、液漏れが発生することがあります。その場合、漏れた液には触れないでください。もしも触れてしまった場合は、水で洗い流してください。バッテリー液が眼に入った場合は、水で洗い流してから医師の診察を受けてください。流出したバッテリー液により、皮膚が刺激を受けたり火傷を負う恐れがあります。
- ▶ 損傷したあるいは変更が加えられたバッテリーは使用しないでください。損傷したあるいは変更が加えられたバッテリーは、予測不可能な挙動により爆発あるいは負傷事故を発生させる危険があります。



- ▶ バッテリーは火気あるいは高温に曝さないでください。火気あるいは 130 °C (265 °F) を超える高温は、爆発の原因となることがあります。
- ▶ 充電に関するすべての指示事項に従い、バッテリーあるいはバッテリー工具は、決して取扱説明書に記載された温度範囲外で充電しないでください。正しくない充電あるいは許容温度範囲外での充電により、バッテリーが破壊され火災が発生する危険があります。

#### サービス

- ▶ 電動工具の修理は必ず認定サービスセンターにお申し付けください。また、必ず純正部品を使用してください。これにより電動工具の安全性が確実に維持されます。
- ▶ 損傷したバッテリーは決して手入れや保守を行わないでください。バッテリーの保守作業はすべて、メーカーあるいは権限のあるお客様サービスセンターが行うものとします。

### 2.2 往復運動するソーブレードによる切断に関するその他の安全上の注意

- ▶ 先端工具が隠れた電線に接触する可能性のある作業を行う場合は、必ず本体の絶縁されたグリップを持ってください。通電しているケーブルと接触すると、本体の金属部分にも電圧がかかり、感電の危険があります。
- ▶ 工具はクランプ、あるいはその他の方法で安定した土台に確実に固定してください。作業材料を手あるいは体で保持しようとすると不安定さが残り、コントロールを失う危険があります。

### 2.3 切断に関するその他の安全上の注意

#### 作業者に関する安全

- ▶ 切断領域やソーブレード付近に手を出さないでください。片方の手で補助グリップまたはモーターハウジングを保持してください。両手でソーを保持すれば、ソーで手を負傷することはありません。
- ▶ 本製品は、必ず技術的に問題のない状態で使用してください。
- ▶ 本体は決して加工や改造を加えないでください。
- ▶ 保護手袋は先端工具の交換時にも着用してください。先端工具に触れると、切創事故や火傷の原因となることがあります。
- ▶ 作業開始前に、作業場で発生する粉じんの危険有害度を調査してください。公的に承認された保護等級および地域の粉じんに関する規定を満たした工業用集じん機を使用してください。含鉛塗料、特定の種類の木材、コンクリート / 石材、石英を含む岩石、鉱物および金属などの母材から生じた粉じんは、健康を害する恐れがあります。
- ▶ 作業場の良好な換気に注意し、必要に応じてそれぞれの粉じんに適した防じんマスクを着用してください。作業者や近くにいる人が粉じんに触れたり吸い込んだりすると、アレルギー反応や呼吸器疾患を起こす可能性があります。アスベストが含まれる母材は、必ず専門家が取り扱うようにしてください。
- ▶ 作業材料の下側をつかまないでください。
- ▶ 切断する作業材料を手や足で支えないでください。作業材料は安定した支持具に固定してください。
- ▶ 本体は常に両手で指定のグリップを握って保持し、反力を受け止めることができるように腕を構えます。
- ▶ グリップは乾燥した清潔な状態を保ってください。
- ▶ ソーブレードは必ず側部をつかみ、決してソーブレードが身体のすぐ前にくることのないようにしてください。反動が生じるとソーが跳ね返ることがあります！
- ▶ ソーブレードが噛んだ場合あるいは作業を中断する場合は、ソーをオフにしてソーブレードが停止するまでソーを動かさないでください。ソーブレードが動いている間は、ソーを作業材料から離したり後方へ引いたりしないでください、そうしないと反動が発生する危険があります。
- ▶ 作業材料に挿入されているソーを再び作動させる場合は、ソーブレードをカットギャップの中央に配置し、歯が作業材料に引っかかっているかチェックします。
- ▶ 既存の壁やその他の見通しのきかない領域で切断を行う場合は特に注意してください。切断時に、押し込まれたソーブレードが隠れている対象物にブロックされ、跳ね返る可能性があります。

#### 電気に関する安全注意事項

- ▶ 作業を開始する前に、作業領域に埋設された電線、ガス管や水道管がないかを調査してください。誤って電線を損傷すると、本体外側の金属部分により感電事故が発生する可能性があります。
- ▶ 先端工具が隠れた電線に接触する可能性のある作業を行う場合は、必ず本体の絶縁されたグリップを持ってください。通電しているケーブルと接触すると、本体の金属部分にも電圧がかかり、感電の危険があります。

#### 電動工具の慎重な取扱いおよび使用

- ▶ 切れ味の悪くなったソーブレードや損傷したソーブレードは使用しないでください。そのようなソーブレードは、摩擦の増大、噛み込みあるいは反動の原因となります。
- ▶ ソーブレードの取扱いと保管に関するメーカーの指示に注意してください。
- ▶ 本製品のプロテクトシューを作業材料に押し当ててください。これにより、最適で安全な作業を保証することができます。



- ▶ 切屑が熱くなっていることがあるため、適切な保護服を着用してください。

## 2.4 その他の安全上の注意

- ▶ 本製品は、必ず技術的に問題のない状態で使用してください。
- ▶ 本体は決して加工や改造を加えないでください。
- ▶ 切れ味の悪くなったソーブレードや損傷したソーブレードは使用しないでください。そのようなソーブレードは、摩擦の増大、噛み込みあるいは反動の原因となります。
- ▶ 作業を開始する前に、作業領域に埋設された電線、ガス管や水道管がないかを調査してください。誤って電線を損傷すると、本体外側の金属部分により感電事故が発生する可能性があります。
- ▶ 作業材料は安定した支持具に固定してください。切断する作業材料を手や足で支えないでください。
- ▶ 本製品の電源は必ず作業場で入れてください。
- ▶ 作業時には必ず本体を身体から離すようにしてください。
- ▶ 特にパイプ直径が大きい場合には、適切な押し付け力と適度な切断速度で作業してください。これにより、本体の過熱を防止することができます。
- ▶ パイプを切断する場合は、パイプ内に水滴が残っていないことを確認してください。必要に応じてパイプを空にしてください。
- ▶ パイプを切断する場合には、本体をパイプより上の位置に保持してください。
  - ↳ 本体は耐水仕様ではありません。水滴が本体にかかると短絡の原因となることがあります。
- ▶ 未知の母材には決して切断を行わないでください。切断ラインの上面と下面から障害物を取り除いてください。
  - ↳ ソーブレードが切断面に当たった時に、本体に対して反力が作用することがあります。
- ▶ 保護手袋は先端工具の交換時にも着用してください。先端工具に触れると、切創事故や火傷の原因となることがあります。
- ▶ 本体を使用しない時、手入れや保守を行う時、先端工具の交換時および搬送中は、バッテリーを本体から取り外してください。
- ▶ 本体を保管および搬送する際は、スイッチインターロックを作動させてください。
- ▶ ソーブレードの取扱いと保管に関するメーカーの指示に注意してください。
- ▶ 本体使用中、作業者および現場で直近に居合わせる人は保護メガネ、ヘルメット、耳栓、保護手袋および防じんマスクを着用しなければなりません。
- ▶ 常に適切な長さのソーブレードを使用してください。ソーブレードは、ストロークの全行程において作業材料より突出していなければなりません。
- ▶ 休憩を取って緊張をほぐし、指を動かして血の巡りを良くするように心がけてください。
- ▶ ランプ (LED) を直接のぞき込んだり、LED で他の人の顔を照射したりしないでください。眼がくらむ恐れがあります。
- ▶ 破片が身体の一部、眼などを傷つけることもあります。個人用保護具と、常に保護メガネおよび保護手袋を着用してください。
- ▶ 剥がし作業の場合には、作業側と反対の領域を保護してください。

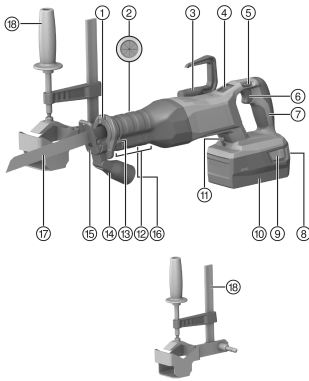
## 2.5 バッテリーの慎重な取扱いおよび使用

- ▶ Li-Ion バッテリーの搬送、保管、作動については特別規定を守ってください。
- ▶ バッテリーは高温、直射日光および火気を避けて保管してください。
- ▶ バッテリーを分解したり、挟んだり、80 °C 以上に加熱したり、燃やしたりしないでください。
- ▶ 衝撃を受けたことのあるバッテリー、1 m を超える高さから落下したことがあるバッテリー、あるいはその他の損傷を被っているバッテリーを使用あるいは充電しないでください。この場合には、必ず最寄りの Hilti サービスセンターにご連絡ください。
- ▶ バッテリーが掴むことのできないほどに熱くなっている場合は、故障している可能性があります。製品を監視可能な火気のない場所に可燃性の資材から十分に距離をとって置き、冷ましてください。この場合には、必ず最寄りの Hilti サービスセンターにご連絡ください。



### 3 製品の説明

#### 3.1 製品概要



- ① チャック
- ② カットアダプターキャッチ
- ③ 折りたたみ式吊り下げフック
- ④ 回転数事前選択
- ⑤ スイッチインターロック
- ⑥ 無段変速スイッチ
- ⑦ 後部グリップ
- ⑧ バッテリー充電状態インジケーター
- ⑨ バッテリーリリースボタン
- ⑩ バッテリー
- ⑪ セイフティーアイ
- ⑫ フロントエンドグリップ
- ⑬ ソープレードリリースレバー
- ⑭ 吸入接続部 (米国仕様: アクセサリー)
- ⑮ プロテクトシュー
- ⑯ プロテクトシューリリースボタン
- ⑰ ソープレード
- ⑱ カットアダプター (アクセサリー)

#### 3.2 正しい使用

本書で説明している製品はバッテリー式レシプロソーです。本製品は、木材、木製および金属製作業材料、ならびにプラスチックの切断に使用するものです。

本製品は両手操作用として設計されています。

- ▶ 本製品には、必ずHiltiのB 36シリーズのLi-Ionバッテリーを使用してください。
- ▶ これらのバッテリーには、必ずHiltiのC4/36シリーズの充電器を使用してください。

#### 3.3 考えられる誤った使用

- ▶ レンガ、コンクリート、気泡コンクリート、天然石、タイルを切断しないでください。
- ▶ 本製品を、水滴が残っているパイプの切断に使用しないでください。
- ▶ 未知の母材には切断を行わないでください。

#### 3.4 Li-Ion バッテリーのインジケーター

Li-Ion バッテリーの充電状態および本体の不具合は、Li-Ion バッテリーのインジケーターにより表示されます。Li-Ion バッテリーの充電状態は、2つのバッテリーリリースボタンのいずれかを押すと表示されます。

状態	意味
4 個の LED が点灯。	充電状態: 75 %...100 %
3 個の LED が点灯。	充電状態: 50 %...75 %
2 個の LED が点灯。	充電状態: 25 %...50 %
1 個の LED が点灯。	充電状態: 10 %...25 %
1 個の LED が点滅。	充電状態: < 10 %
1 個の LED が点滅、本体は作動不能状態。	バッテリーが過熱あるいは完全に放電している。
4 個の LED が点滅、本体は作動不能状態。	本体の過負荷あるいは過熱。

**i** コントロールスイッチの操作中、およびこのスイッチから指を放してから5秒が経過するまでの間は、充電状態を確認することはできません。バッテリーのインジケーターのLEDが点滅している場合は、「故障時のヒント」の章の注意事項を確認してください。



### 3.5 本体標準セット構成

レスプロソー、取扱説明書。

その他の本製品用に許可されたシステム製品については、弊社営業担当または **Hilti Store** にお問い合わせいただくか、あるいは [www.hilti.group](http://www.hilti.group) でご確認ください。

## 4 製品仕様

	SR 30-A36
定格電圧	36 V
重量 (EPTA プロシージャ 01 に準拠)	5.2 kg
ストローク数 (段階 1)	2,000/min
ストローク数 (段階 2)	2,800/min
ストローク長	32 mm
ブレードホルダー	0.5 in
作動時の周囲温度	-17 °C ... 60 °C
保管温度	-20 °C ... 70 °C

### 4.1 騒音および振動値について (EN 62841 準拠)

本説明書に記載されているサウンドプレッシャー値および振動値は、規格に準拠した測定方法に基づいて測定したものです。電動工具を比較するのにご使用いただけます。曝露値の暫定的な予測にも適しています。記載されているデータは、電動工具の主要な使用方法に対する値です。電動工具を他の用途で使用したり、異なる先端工具を取り付けて使用したり、手入れや保守が十分でないまま使用した場合には、データが異なることがあります。このような相違により、作業時間全体で曝露値が著しく高くなる可能性があります。曝露値を正確に予測するためには、本体のスイッチをオフにしている時間や、本体が作動していても実際には使用していない時間も考慮しなければなりません。このような相違により、作業時間全体で曝露値が著しく低くなる可能性があります。

作業者を騒音および / または振動による作用から保護するために、他にも安全対策を立ててください (例 : 電動工具および先端工具の手入れや保守、手を冷やさないようにする、作業手順の編成)。

騒音について

	SR 30-A36
サウンドパワーレベル ( $L_{WA}$ )	96 dB(A)
サウンドパワーレベルの不確実性 ( $K_{WA}$ )	5 dB(A)
サウンドプレッシャーレベル ( $L_{pA}$ )	85 dB(A)
サウンドプレッシャーレベルの不確実性 ( $K_{pA}$ )	5 dB(A)

合計振動値

	SR 30-A36
排出振動値 (クリップボード切断) ( $a_{h,B}$ )	22.5 m/s <sup>2</sup>
不確実性 (クリップボード切断) (K)	3.7 m/s <sup>2</sup>
排出振動値 (角材切断) ( $a_{h,WB}$ )	20.5 m/s <sup>2</sup>
不確実性 (角材切断) (K)	3.3 m/s <sup>2</sup>

### 4.2 バッテリー

バッテリー作動電圧	36 V
作動時の周囲温度	-17 °C ... 60 °C
保管温度	-20 °C ... 40 °C
充電開始時のバッテリー温度	-10 °C ... 45 °C





## 5 作業準備

### 注意

負傷の危険 意図しない始動！

- ▶ バッテリーを装着する前に、バッテリーを装着する製品のスイッチがオフになっていることを確認してください。
- ▶ 本体の設定、またはアクセサリーの交換の前にバッテリーを取り外してください。

本書および製品に記載されている安全上の注意と警告表示に注意してください。

### 5.1 バッテリーを充電する

1. 充電の前に充電器の取扱説明書をお読みください。
2. バッテリーと充電器の電気接点は汚れがなく、乾燥していることを確認してください。
3. バッテリーは許可された充電器で充電してください。

### 5.2 バッテリーを装着する

#### 注意

負傷の危険 短絡あるいはバッテリーの落下！

- ▶ バッテリーを装着する前に、バッテリーの電気接点と製品の電気接点に異物がないことを確認してください。
- ▶ バッテリーが正しくロックされていることを常に確認してください。

1. はじめてお使いになる前にはバッテリーをフル充電してください。
2. ロックの音が聞こえるまでバッテリーを本体ホルダーに装着します。
3. バッテリーがしっかりと装着されていることを確認してください。

### 5.3 バッテリーを取り外す

1. バッテリーのロック解除ボタンを押します。
2. バッテリーを本体のホルダーから引き抜きます。

### 5.4 吊り下げフックを取り付ける (アクセサリー)

1. スイッチインターロックを作動させます。
2. 吊り下げフックを取り付けます。

### 5.5 ソーブレードを装着する



必ず 1/2" コネクションエンドのソーブレードを使用してください。

1. スイッチインターロックを作動させるか、あるいはバッテリーを本体から取り外します。
2. 先端工具のコネクションエンドが汚れていないか、グリスが薄く塗布されているか確認します。必要であれば、コネクションエンドの汚れを取り除き、グリスを塗布してください。
3. ロックレバーをストップ位置まで上方へずらし、その位置に保持します。
4. ソーブレードを前方からブレードクランプに押し込みます。
5. 指を放してロックレバーを元の位置にします。
6. ソーブレードを引っ張り、きちんと噛み合っていることを確認します。

### 5.6 吸入接続部を取り付ける (米国仕様: アクセサリー)

1. プロテクトシューを引き出します。
2. 吸入接続部をプロテクトシューキャッチに取り付けます。
3. グリスを薄く塗布したプロテクトシューをガイドに完全に装着します。



## 6 ご使用方法

### 注意

**負傷の危険 短絡あるいはバッテリーの落下！**

- ▶ バッテリーを装着する前に、バッテリーの電気接点と製品の電気接点に異物がないことを確認してください。
- ▶ バッテリーが正しくロックされていることを常に確認してください。

本書および製品に記載されている安全上の注意と警告表示に注意してください。

### 6.1 ソーをガイドする

1. ソーは所定のグリップで保持してください。
2. ソーを作業材料に接触するまでガイドします。
3. ソーを前後に動かします。
  - ↳ ソーを作業材料に押し付けると、ソーブレードが破断して負傷の原因となることがあります。

### 6.2 切断

#### 警告

**故障したり下げフックによる負傷の危険！** 本体が落下してご自身あるいは他の方が怪我をする恐れがあります。

- ▶ 作業を開始する前に、吊り下げフックが確実に固定され損傷のないことを確認してください。

1. スイッチインターロックを非作動にして、コントロールスイッチを押します。
  - ↳ ソーを効率的にガイドするためのいくつかの方法を図に示しました。
2. 切断作業を終了する場合は、コントロールスイッチから指を放します。
3. スイッチインターロックを作動させます。

### 6.3 ソーブレードを取り外す

#### 注意

**負傷の危険！** 先端工具は熱くなっていること、および / またはエッジが鋭くなっていることがあります。

- ▶ 先端工具を交換する際には保護手袋を着用してください。
  - ▶ 熱くなっている先端工具は可燃物の上に置かないでください。
1. スイッチインターロックを作動させるか、あるいはバッテリーを本体から取り外します。
  2. ロックレバーをストップ位置まで上方へずらし、その位置に保持します。
  3. ソーブレードをブレードクランプから前方に引き出します。
  4. 指を放してロックレバーを元の位置にします。

## 7 手入れと保守

### 警告

**バッテリーを装着した状態における負傷の危険！**

- ▶ 手入れや保守作業の前に必ずバッテリーを取り外してください！

#### 本体の手入れ

- 強固に付着した汚れは慎重に除去してください。
- 通気溝を乾いたブラシで入念に清掃してください。
- ハウジングは必ず軽く湿らせた布で清掃してください。シリコンを含んだ清掃用具はプラスチック部品をいためる可能性があるので使用しないでください。
- チャックの外側を定期的に清掃して潤滑してください。これには、Hilti 314648 スプレーを使用してください。

#### Li-Ion バッテリーの手入れ

- バッテリーは清潔に保ち、オイルやグリスで汚さないようにしてください。
- ハウジングは必ず軽く湿らせた布で清掃してください。シリコンを含んだ清掃用具はプラスチック部品をいためる可能性があるので使用しないでください。



- 湿気が入り込まないようにしてください。

#### 保守

- 目視確認可能なすべての部品について損傷の有無を、操作エレメントについては問題なく機能することを定期的に点検してください。
- 損傷および/または機能に問題のある場合は、本製品を使用しないでください。直ちにHilti サービスセンターに修理を依頼してください。
- 手入れおよび保守作業の後には、すべての安全機構を取り付けて機能を点検してください。



安全な作動のために、必ず純正のスペアパーツと消耗品を使用してください。本製品向けに弊社が承認したスペアパーツ、消耗品およびアクセサリは、弊社営業担当またはHilti Storeにお問い合わせいただくか、あるいは[www.hilti.group](http://www.hilti.group)でご確認ください。

### 7.1 プロテクトシューの交換



プロテクトシューは必要に応じて交換できます。

1. バッテリーを取り外します。
2. ソーブレードを取り外します。→ 頁 172
3. レシプロソー下側の赤いプロテクトシューリリースボタンを押します。
4. プロテクトシューを引き出します。
5. レシプロソー下側の赤いプロテクトシューリリースボタンを押します。
6. グリスを薄く塗布したプロテクトシューをガイドに完全に装着します。
7. プロテクトシューがロックしていることを確認します。

## 8 バッテリー装置の搬送および保管

### 搬送



#### 注意

#### 搬送時の予期しない始動！

- ▶ お使いの製品は、必ずバッテリーを装着していない状態で搬送してください！
- ▶ バッテリーを取り外します。
- ▶ バッテリーは決して梱包しない状態で搬送しないでください。
- ▶ 本体とバッテリーを長距離にわたって搬送した後は、使用前に損傷がないかチェックしてください。

### 保管上の注意事項



#### 注意

#### 故障したあるいは液漏れしたバッテリーによる予期しない損傷！

- ▶ お使いの製品は、必ずバッテリーを装着していない状態で保管してください！
- ▶ 本体とバッテリーは、できるだけ涼しくて乾燥した場所に保管してください。
- ▶ バッテリーを太陽の直射下、ラジエーターの上、窓際等で保管しないでください。
- ▶ 本体とバッテリーは、子供や権限のない人が手を触れることのないようにして保管してください。
- ▶ 本体とバッテリーを長期間にわたって保管した後は、使用前に損傷がないかチェックしてください。

## 9 故障時のヒント

この表に記載されていない、あるいはご自身で解消することのできない故障が発生した場合には、弊社営業担当またはHilti サービスセンターにご連絡ください。

### 9.1 レシプロソーは作動不可能

故障	考えられる原因	解決策
本体が始動しない。	バッテリーが完全に装着されていない。	▶ バッテリーを「カチッ」と音がするまでロックしてください。
	バッテリーが空。	▶ バッテリーを充電する。



故障	考えられる原因	解決策
本体が始動しない。	スイッチインターロックが操作されていない。	▶ スwitchインターロックを操作する。
ソーブレードをチャックから取り出せない。	ロックレバーがストップ位置まで押されていない。	▶ ロックレバーをストップ位置まで押してソーブレードを取り出してください。
	チャックが切断切屑で塞がっている。	▶ 切断切屑を除去し、チャックの外側を定期的に清掃する。本体の手入れ。→ 頁 172

## 9.2 レジプロソーは作動可能

故障	考えられる原因	解決策
本体機能がフルに発揮されない。	コントロールスイッチが完全に押されていない	▶ コントロールスイッチを一杯に握り込む。
	バッテリーが放電している	▶ バッテリーを交換し、空のバッテリーを充電する。
ソーブレードをチャックから取り出せない。	ロックレバーがストップ位置まで押されていない。	▶ ロックレバーをストップ位置まで押してソーブレードを取り出してください。

## 10 廃棄

Hilti 製品の大部分の部品はリサイクル可能です。リサイクル前にそれぞれの部品は分別して回収されなければなりません。多くの国で Hilti は、古い電動工具をリサイクルのために回収しています。詳細については弊社営業担当または Hilti 代理店・販売店にお尋ねください。

### バッテリーを廃棄する

バッテリーを誤った方法で廃棄すると、漏出するガスあるいはバッテリー液により健康を損なう危険があります。

- ▶ 損傷したバッテリーを送付しないでください！
- ▶ 短絡を防止するために接続部を非導電性のもので覆ってください。
- ▶ バッテリーは子供が手を触れることのないように廃棄してください。
- ▶ バッテリーの廃棄は、最寄りの Hilti Store あるいは適切な廃棄物処理業者に依頼してください。



- ▶ 電動工具、電子機器およびバッテリーを一般ゴミとして廃棄してはなりません！

## 11 RoHS (有害物質使用制限に関するガイドライン)

下記のリンクより、有害物質を記載した表を確認できます：[qr.hilti.com/r5962277](http://qr.hilti.com/r5962277)。  
本書の最終ページに RoHS 表にリンクした QR コードがあります。

## 12 メーカー保証

- ▶ 保証条件に関するご質問は、最寄りの Hilti 代理店・販売店までお問い合わせください。



## 1 문서 관련 기재사항

### 1.1 본 문서에 대해

- 처음 사용하기 전에 본 문서 전체를 읽으십시오. 안전하게 작업하고 문제 없이 취급하기 위한 전제가 됩니다.
- 본 문서 및 제품에 나와 있는 안전 지침 및 경고 지침에 유의하십시오.
- 항상 제품에 있는 사용 설명서를 잘 보관하고 제품은 반드시 본 지침과 함께 다른 사람에게 전달하십시오.

### 1.2 기호 설명

#### 1.2.1 경고사항

본 제품을 다루면서 발생할 수 있는 위험에 대한 경고사항. 다음과 같은 시그널 워드가 사용됩니다.



**위험!**

- ▶ 이 기호는 직접적인 위험을 표시합니다. 만약 지키지 않으면 심각한 부상을 당하거나 사망할 수도 있습니다.



**경고!**

- ▶ 이 기호는 잠재적인 위험을 표시합니다. 만약 지키지 않으면 심각한 부상을 당하거나 사망할 수도 있습니다.



**주의!**

- ▶ 이 기호는 특별히 중요한 안전상의 주의사항을 표시합니다. 만약 지키지 않으면, 심각한 부상 또는 물적 손실을 입을 수 있습니다.

#### 1.2.2 문서에 사용된 기호

본 문서에서 사용되는 기호는 다음과 같습니다.



사용하기 전에 사용설명서를 읽으십시오.



적용 지침 및 기타 유용한 사용정보



재사용이 가능한 자재 취급방법



전기 기기 및 배터리를 일반 가정의 쓰레기처럼 폐기해서는 안 됨

#### 1.2.3 그림에 사용된 기호

다음과 같은 기호가 그림에 사용됩니다.



이 숫자는 본 설명서의 첫 부분에 있는 해당 그림을 나타냅니다.



매겨진 숫자는 작업 단계의 순서를 나타내며, 텍스트에 매겨진 작업 단계와 차이가 있을 수 있습니다.



항목 번호는 개요 그림에서 사용되며, 제품 개요 단락에 나와 있는 기호 설명 번호를 나타냅니다.



이 표시는 제품을 다룰 때, 특별히 주의할 사항을 나타냅니다.

### 1.3 제품 관련 기호

#### 1.3.1 제품에 사용된 기호

제품에 사용되는 기호는 다음과 같습니다.



직류



n <sub>0</sub>	공회전 스크로크
	무선 데이터 전송
Li-Ion	리튬이온 배터리
	사용한 Hilti 리튬이온 배터리 모델 시리즈. 규정에 맞는 사용 단원에 제시된 내용에 유의하십시오.

#### 1.4 제품 정보

제품은 전문가용으로 설계되어 있으며, 해당 교육을 이수한 공인된 작업자를 통해서만 조작, 유지 보수 및 수리 작업을 진행할 수 있습니다. 이 기술자는 발생할 수 있는 위험에 대해 특별 교육을 받은 상태여야 합니다. 교육을 받지 않은 사람이 제품을 부적절하게 취급하거나 규정에 맞지 않게 사용할 경우에는 기기와 그 보조기구에 의해 부상을 당할 위험이 있습니다.

형식 명칭 및 일련 번호는 형식 라벨에 제시되어 있습니다.

- ▶ 일련 번호를 다음의 표에 옮기십시오. 대리점 또는 서비스 센터에 문의할 경우 제품 제원이 필요합니다.

##### 제품 제원

다목적 톱	SR 30-A36
세대	01
일련 번호	

#### 1.5 적합성 선언

폐사는 전적으로 책임을 지고 여기에 기술된 제품이 통용되는 기준과 규격에 일치함을 공표합니다. 적합성 증명서 사본은 본 문서 끝 부분에서 확인할 수 있습니다.

기술 문서는 이곳에 기술되어 있습니다.

Hilti Entwicklungsgesellschaft mbH | Zulassung Geräte | Hiltistraße 6 | 86916 Kaufering, DE

## 2 안전

### 2.1 전동 공구에 대한 일반적인 안전상의 주의사항

**⚠ 경고** 해당 전동 공구와 함께 동봉된 모든 안전상의 주의 사항, 지침, 그림 및 기술자료를 숙지하십시오. 다음과 같은 지침 내용을 준수하지 않으면 전기 충격, 화재가 발생하거나 그리고/또는 중상을 입을 수 있습니다. 앞으로 모든 안전상의 주의사항과 지침을 보관하십시오.

안전상의 주의사항에서 사용되는 "전동 공구"라는 개념은 전원에 연결하여 사용하는 전동 공구(전원 케이블 있음) 또는 배터리를 사용하는 전동 공구(전원 케이블 없음)를 의미합니다.

#### 작업장 안전수칙

- ▶ 작업장을 항상 깨끗이 하고 조명이 잘 들도록 하십시오. 어수선한 작업환경 또는 어두운 작업장은 사고를 초래할 수 있습니다.
- ▶ 인화성 액체, 가스 또는 먼지가 있어 폭발 위험이 있는 환경에서는 전동 공구를 사용하지 마십시오. 전동 공구는 먼지나 증기를 점화시킬 수 있는 스파크를 일으킵니다.
- ▶ 전동 공구를 사용할 때, 어린이들이나 다른 사람들이 작업장에 접근하지 못하도록 하십시오. 다른 사람의 방해로 인해 기기를 통제하기 어렵습니다.

#### 전기에 관한 안전수칙

- ▶ 전동 공구의 전원 플러그가 소켓에 잘 끼워져야 합니다. 플러그를 절대 변형시켜서는 안됩니다. 접지된 전동 공구와 함께 아답타 플러그를 사용하지 마십시오. 변형되지 않은 플러그와 적합한 소켓을 사용하면 감전의 위험을 줄일 수 있습니다.
- ▶ 파이프, 히터, 전기레인지, 냉장고와 같은 접지 표면에 신체 접촉을 피하십시오. 신체에 닿을 경우 감전될 위험이 높습니다.
- ▶ 전동 공구가 비에 맞지 않도록 하고 습한 장소에 두지 마십시오. 전동 공구에 물이 들어가면 감전될 위험이 높습니다.
- ▶ 전원 케이블만 잡고 전동 공구를 운반하거나 걸어 놓아서는 안되며, 소켓에서 전원 플러그를 빼낼 때 케이블만 잡은 채로 빼내지 마십시오. 전원 케이블이 열, 오일, 날카로운 모서리 또는 부품의 가동 부위에 접촉하지 않도록 주의하십시오. 손상되거나 서로 꼬인 전원 케이블은 감전 위험을 높입니다.
- ▶ 실외에서 전동 공구를 이용하여 작업할 때, 실외용으로 승인된 연장 케이블만 사용하십시오. 실외용 연장 케이블을 사용하면 감전의 위험을 줄여줍니다.



- ▶ 전동 공구를 습한 환경에서 사용하는 것을 피할 수 없을 경우, 누전 차단기를 사용하십시오. 누전 차단기를 사용하면 감전 위험을 줄일 수 있습니다.

#### 사용자 안전수칙

- ▶ 신중하게 작업하십시오. 작업에 정신을 집중하고 전동 공구를 사용할 때 경솔하게 행동하지 마십시오. 피곤하거나 항정신성 약물, 술 또는 약물 복용시에는 전동 공구를 사용하지 마십시오. 전동 공구 사용 시 이에 유의하지 않을 경우 심각한 부상을 초래할 수 있습니다.
- ▶ 안전 장비를 갖추고 보안경을 착용하십시오. 전동 공구의 종류와 사용에 따라, 먼지 보호 마스크, 미끄럼 방지용 안전 신발, 안전모 또는 귀마개 등과 같은 안전한 보호장비를 착용하면 부상의 위험을 줄일 수 있습니다.
- ▶ 실수로 기기가 작동하지 않도록 주의하십시오. 전동 공구를 전원 그리고/또는 배터리에 연결하기 전, 보관 또는 운반 전에 전동 공구가 스위치 OFF 상태인지 확인하십시오. 전동 공구 운반 시 스위치에 손가락을 대거나 스위치가 켜진 상태에서 전원을 연결하면 사고를 유발할 수 있습니다.
- ▶ 전동 공구의 스위치를 켜기 전, 조정공구 또는 렌치를 제거하십시오. 기기 회전부에 남아있는 공구나 렌치로 인해 부상을 입을 수 있습니다.
- ▶ 작업 시 비정상적인 자세는 피하십시오. 안전한 작업 자세가 되도록 하고, 항상 균형을 유지하십시오. 이렇게 하여 예기치 않은 상황에서도 전동 공구를 잘 제어할 수 있습니다.
- ▶ 적합한 작업복을 착용하십시오. 헐렁한 복장이나 장식품을 착용하지 마십시오. 작동하는 기기 가동 부위에 머리, 옷 그리고 장갑이 가까이 닿지 않도록 주의하십시오. 헐렁한 복장, 장식품 혹은 긴 머리가 가동 부위에 말려 들어갈 수 있습니다.
- ▶ 먼지 제거장치나 수거장치를 설치할 수 있는 기기의 경우, 이 장치들이 연결되어 있는지 그리고 제대로 작동되는지를 확인하십시오. 먼지 포집장치 사용은 먼지로 인한 위험을 줄여줄 수 있습니다.
- ▶ 이 전동 공구를 여러번 사용해왔다고 해서 안전하다고 안심하지 말고 전동 공구에 해당되는 안전 규칙을 무시하지 마십시오. 부주의하게 행할 경우 아주 짧은 순간에 중상을 입을 수 있습니다.

#### 전동 공구의 취급과 사용

- ▶ 기기에 과부하가 걸리지 않도록 하십시오. 귀하의 작업에 적합한 전동 공구를 사용하십시오. 적합한 전동 공구를 사용하면, 지정된 성능 한도 내에서 더 효율적으로 안전하게 작업할 수 있습니다.
- ▶ 스위치가 고장난 전동 공구는 사용하지 마십시오. 스위치가 작동되지 않는 전동 공구는 위험하므로, 반드시 수리를 해야 합니다.
- ▶ 기기 세팅을 실행, 액세서리를 교환 또는 기기를 보관하기 전에 컨택터를 전원소켓에서 그리고/또는 탈착식 배터리를 기기에서 빼놓으십시오. 이러한 조치는 실수로 전동 공구가 작동하지 않도록 방지합니다.
- ▶ 사용하지 않는 전동 공구는 어린이들의 손이 닿지 않는 곳에 보관하십시오. 기기 사용에 익숙치 않거나 또는 이 안전수칙을 읽지 않은 사람이 기기를 사용해서는 안 됩니다. 비숙련자가 전동 공구를 사용하면 위험합니다.
- ▶ 전동 공구 및 액세서리를 유의해서 관리하십시오. 기기의 가동 부위가 완벽하게 작동하는지, 끼어 있지 않은지, 혹은 부품이 손상되거나 파손되어 있어 전동 공구의 기능을 저하시키지 않는지 점검하십시오. 기기 사용 전 손상된 부품을 수리하도록 하십시오. 제대로 관리되지 않은 전동 공구는 많은 사고를 유발합니다.
- ▶ 절단기기는 날카롭고 깨끗하게 관리하십시오. 날카로운 절단면이 있고 잘 관리된 절단기기는 끼이는 경우가 드물고 조절하기도 쉽습니다.
- ▶ 본 지침에 따라 전동 공구, 액세서리, 공구 비트 등을 사용하십시오. 이 때 작업 조건과 실시하려는 작업 내용을 고려하십시오. 원래 사용 분야가 아닌 다른 작업에 전동 공구를 사용할 경우, 위험한 상황을 초래할 수 있습니다.
- ▶ 손잡이 및 손잡이 표면은 건조하고 깨끗하게, 그리고 오일과 그리스가 묻어있지 않도록 해야 합니다. 미끄러운 손잡이 및 손잡이 표면은 예상치 못한 상황에서 전동 공구를 안전하게 조작하고 제어할 수 없습니다.

#### 배터리 공구의 취급과 사용

- ▶ 제조회사가 권장한 충전기에만 배터리를 충전시키십시오. 특정한 형식의 배터리를 사용하도록 규정되어 있는 충전기에 다른 배터리를 사용할 경우 화재 발생의 위험이 있습니다.
- ▶ 전동 공구에 적합하게 규정된 배터리만 사용하십시오. 다른 배터리를 사용하면 부상을 입을 수 있고, 화재가 발생할 수 있습니다.
- ▶ 배터리를 사용하지 않을 경우 클립, 동전, 키, 못, 나사 또는 다른 소형 금속 물질로부터 사용하지 않는 배터리를 멀리 떨어뜨려 놓아주십시오. 배터리 간 단락으로 인한 연소 또는 화재를 초래할 수 있습니다.
- ▶ 잘못 사용할 경우, 배터리로부터 전해액이 흘러나올 수 있습니다. 전해액을 직접 만지지 마십시오. 실수로 만졌을 경우, 물로 씻으십시오. 전해액이 눈에 들어갔으면, 의사와 상담하십시오. 배터리로부터 흘러나온 전해액은 피부를 손상시킬 수 있으며, 화재를 발생시킬 수 있습니다.
- ▶ 손상된 배터리 또는 변경된 배터리를 사용하지 마십시오. 손상된 배터리 또는 변경된 배터리는 예상치 못한 상황 및 화재, 폭발 또는 부상 위험을 초래할 수 있습니다.
- ▶ 배터리에서 불꽃이 발생하거나 또는 배터리가 너무 높은 온도에 노출되지 않게 하십시오. 불꽃 또는 온도가 130 °C (265 °F)를 넘으면 폭발을 일으킬 수 있습니다.



- ▶ 충전에 관한 모든 지침을 준수하여 배터리 또는 배터리 공구를 절대 사용 설명서에 제시된 범위를 벗어난 온도에서 충전하지 마십시오. 잘못 충전하거나 허용된 범위를 벗어난 온도에서 충전하면 배터리가 파손되어 화재 발생 위험이 높아질 수 있습니다.

#### 서비스

- ▶ 전동 공구는 반드시 자격을 갖춘 전문가에 의해 그리고 순정 대체부품만 이용하여 수리해야 합니다. 이렇게 하여 기기의 안전성을 계속해서 유지할 수 있습니다.
- ▶ 손상된 배터리를 절대 수리하지 마십시오. 배터리 수리는 제조회사 또는 권한을 위임받은 고객 서비스센터에서만 이루어져야 합니다.

### 2.2 톱날을 왕복으로 움직이는 톱질 작업 관련 추가 안전 지침

- ▶ 숨겨진 전선에 공구 비트가 접촉할 수 있는 작업을 실행할 경우, 항상 기기의 절연된 손잡이 부분을 잡으십시오. 전류가 흐르는 전선과 접촉하면 전동 공구의 금속 부위를 통해 감전이 될 수도 있습니다.
- ▶ 클램프를 이용하거나 또는 다른 방식으로 견고한 받침대에 고정시키십시오. 손이나 신체로 공작물을 지지하는 것은 불안정하고 제어하기 어려울 수 있습니다.

### 2.3 톱질 작업에 대한 추가적인 안전상의 주의사항

#### 사용자 안전수칙

- ▶ 절단 부위와 톱날 근처에 손을 대지 마십시오. 다른 한 손으로 보조 손잡이 또는 모터 하우징을 잡으십시오. 양쪽 손으로 톱을 잡으면, 톱질 작업으로 인한 손 부상을 막을 수 있습니다.
- ▶ 기술적 자료가 없는 상태에서만 제품을 사용하십시오.
- ▶ 어떠한 경우에도 기기를 변조 또는 개조하지 마십시오.
- ▶ 공구 교체 시에도 보호장갑을 착용하십시오. 공구 비트에 닿으면 부상을 입거나 화상을 당할 수 있습니다.
- ▶ 작업을 시작하기 전, 작업 시 발생하는 먼지의 위험 등급을 알아보십시오. 해당 국가의 먼지 방지 규정에 적합하며, 공식적으로 허용된 보호 등급의 산업용 진공 청소기만을 사용하십시오. 납이 함유된 도료, 일부 목재, 콘크리트/조적벽돌/수정을 함유한 암석 및 금속과 같은 광물질로부터 나오는 먼지는 건강에 해로울 수 있습니다.
- ▶ 작업장을 잘 환기시키고 필요에 따라 먼지의 종류에 맞춰 보호 마스크를 착용하십시오. 먼지를 흡입하거나 만질 경우, 사용자 또는 근처에 있는 사람에게 기관지 질병이나 알레르기 반응이 나타날 수 있습니다. 석면 물질 취급은 전문가에게만 허용됩니다.
- ▶ 공작물 아래쪽을 잡지 마십시오.
- ▶ 절단하려는 공작물을 손에 들고 있거나 다리 위에 고정하지 마십시오. 공작물을 견고한 마운트에 안전하게 고정하십시오.
- ▶ 항상 양손으로 기기의 손잡이를 잡아 고정시키고, 팔을 기기의 반동력을 억제할 수 있는 위치에 놓으십시오.
- ▶ 손잡이는 건조하고 깨끗하게 유지하십시오.
- ▶ 항상 톱날 옆으로 서서 작업하고 절대로 몸과 일직선이 되게 하지 마십시오. 반동이 생길 경우, 톱이 뒤로 튕길 수 있습니다!
- ▶ 톱날이 끼었거나 또는 작업을 중단하려면, 톱의 전원을 끄고 톱날이 정지될 때까지 가만히 있으십시오. 톱날이 움직이고 있을 때 톱을 공작물에서 빼내거나 뒤로 당기려고 하지 마십시오. 반동력이 발생할 수 있습니다.
- ▶ 공작물에 끼어 있는 톱을 재시동하려면 톱날을 절단면 가운데에 맞추고 톱니가 공작물에 물려 있지 않은지 확인하십시오.
- ▶ 벽이 있거나 혹은 다른 보이지 않는 영역에서 절단 작업시에는 특히 조심하십시오. 삽입된 톱날은 절단 작업 시 보이지 않는 물체를 차단하거나 반동을 유발할 수 있습니다.

#### 전기에 관한 안전수칙

- ▶ 작업을 시작하기 전에, 작업장에서 가려져 있거나 덮혀 있는 전기 배선, 가스 파이프 그리고 하수도관이 있는지를 점검하십시오. 실수로 전기 케이블을 손상시킨 경우, 기기 바깥쪽에 있는 금속 부품에서 전기 쇼크를 일으킬 수 있습니다.
- ▶ 숨겨진 전선에 공구 비트가 접촉할 수 있는 작업을 실행할 경우, 항상 기기의 절연된 손잡이 부분을 잡으십시오. 전류가 흐르는 전선과 접촉하면 전동 공구의 금속 부위를 통해 감전이 될 수도 있습니다.

#### 전동 공구의 올바른 사용방법과 취급방법

- ▶ 무디거나 손상된 톱날을 사용하지 마십시오. 이러한 톱날은 마찰력을 높이고, 톱날이 끼이거나 반동이 생기게 합니다.
- ▶ 제조사에서 제공하는 톱날 취급 및 보관 관련 지침에 유의하십시오.
- ▶ 가공할 공작물에 압착 슈를 이용하여 본 제품을 압착해야 합니다. 이는 이상적이고 안전한 작업을 보장합니다.
- ▶ 가열된 파편으로부터 보호하기 위해 적합한 작업복을 입으십시오.





## 2.4 그 외의 안전상의 주의사항

- ▶ 기술적 하자가 없는 상태에서에만 제품을 사용하십시오.
- ▶ 어떠한 경우에도 기기를 변조 또는 개조하지 마십시오.
- ▶ 무디거나 손상된 톱날을 사용하지 마십시오. 이러한 톱날은 마찰력을 높이고, 톱날이 끼이거나 반동이 생기게 합니다.
- ▶ 작업을 시작하기 전에, 작업장에서 가려져 있거나 덮혀 있는 전기 배선, 가스 파이프 그리고 하수도관이 있는지를 점검하십시오. 실수로 전기 케이블을 손상시킨 경우, 기기 바깥쪽에 있는 금속 부품에서 전기 쇼크를 일으킬 수 있습니다.
- ▶ 공작물을 견고한 마운트에 안전하게 고정하십시오. 절단하려는 공작물을 손에 들고 있거나 다리 위에 고정하지 마십시오.
- ▶ 제품이 작업 위치에 놓인 후에 전원을 켜십시오.
- ▶ 작업 중 기기를 항상 몸에서 떨어지게 하십시오.
- ▶ 특히 치수가 큰 파이프 절단 작업 시, 적절한 압착력과 적합한 절단 속도로 작업하십시오. 이는 기기의 과열을 방지합니다.
- ▶ 파이프 절단 시, 파이프에 액체가 채워져 있지 않도록 조심하십시오. 필요 시 이를 비우십시오.
- ▶ 파이프 절단 시, 기기를 절단해야 할 파이프보다 높게 위치시키도록 하십시오.
  - ↳ 기기는 물 또는 습기에 대한 방수가 되지 않습니다. 흘러 나오는 액체로 인해 기기에 단락이 발생할 수 있습니다.
- ▶ 알려지지 않은 모재를 절단하지 말고, 절단 경로 위/아래에 장애물이 있는지 않도록 하십시오.
  - ↳ 톱날이 장애물에 부딪히게 될 경우 기기에 반동이 일어날 수 있습니다.
- ▶ 공구 교체 시에도 보호장갑을 착용하십시오. 공구 비트에 닿으면 부상을 입거나 화상을 당할 수 있습니다.
- ▶ 유지보수 전, 공구 교체 및 운반 중 기기를 사용하지 않을 때에는 항상 배터리를 제거해야 합니다.
- ▶ 기기 운반 및 보관시 안전운반장치를 활성화 시키십시오.
- ▶ 제조사에서 제공하는 톱날 취급 및 보관 관련 지침에 유의하십시오.
- ▶ 사용자와 그 주변에 있는 사람들은 기기를 사용하는 동안, 반드시 적합한 보안경, 안전모, 귀마개, 보호장갑 그리고 보호 마스크를 착용해야 합니다.
- ▶ 항상 길이가 적당히 긴 톱날을 사용하십시오. 한 행정의 동작이 진행될 때 톱날이 공작물보다 길어야 합니다.
- ▶ 손가락의 혈액순환이 잘 되도록 하기 위해 휴식시간 동안 손가락 운동을 하십시오.
- ▶ 조명(LED)을 직접 응시하거나 다른 사람의 얼굴을 비추지 마십시오. 실명 위험이 있습니다.
- ▶ 재료의 파편으로 인해 눈 등 신체에 부상을 입을 수 있습니다. 안전 장비를 갖추고 항상 보안경과 보호장갑을 착용하십시오.
- ▶ 천공 작업 시, 작업할 부분의 반대편을 잘 고정시키십시오.

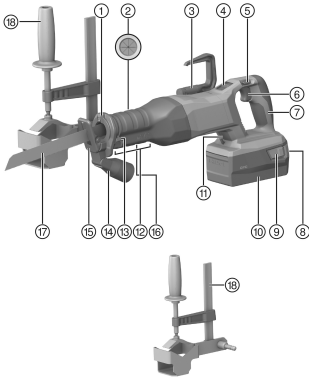
## 2.5 배터리의 올바른 사용방법과 취급방법

- ▶ 리튬 이온 배터리의 운반, 보관 및 사용에 대한 특수 지침에 유의하십시오.
- ▶ 배터리를 고열, 직사광선 및 화염 근처에 두지 마십시오.
- ▶ 배터리를 분해하거나 강한 압력 또는 80°C 이상의 열을 가하거나 연소시켜서는 안됩니다.
- ▶ 충격을 받은 적이 있거나, 1미터가 넘는 높이에서 떨어진 적이 있거나 혹은 다른 방식으로 손상된 배터리는 절대 사용하거나 충전하지 마십시오. 이러한 경우 항상 Hilti 서비스 센터로 문의해 주시기 바랍니다.
- ▶ 배터리를 잡기에 너무 뜨거운 경우에는 고장일 수 있습니다. 가연성 소재와 충분한 간격을 유지하면서, 관찰이 가능한 비연소 장소에 제품을 설치하고 제품을 냉각시키십시오. 이러한 경우 항상 Hilti 서비스 센터로 문의해 주시기 바랍니다.



**3 제품 설명**

**3.1 제품 개요**



- ① 척 아답타
- ② 절단 어댑터 마운트
- ③ 접이식 비계 후크
- ④ 회전속도 사전 선택
- ⑤ 안전 운반 장치
- ⑥ 컨트롤 스위치
- ⑦ 뒤쪽 손잡이
- ⑧ 배터리 충전 상태 디스플레이
- ⑨ 배터리 잠금 해제 버튼
- ⑩ 배터리
- ⑪ 고정 링
- ⑫ 앞쪽 손잡이 영역
- ⑬ 톱날 잠금 해제 레버
- ⑭ 흡입 연결부위(미국: 액세서리)
- ⑮ 접축 슈
- ⑯ 접축 슈 잠금해제 버튼
- ⑰ 톱날
- ⑱ 절단 어댑터(액세서리)

**3.2 규정에 맞는 사용**

기술된 제품은 배터리 구동식 다목적 톱입니다. 이 톱은 목재, 목재와 유사한 소재 및 금속 소재, 플라스틱을 절단하는 데 사용됩니다.

본 제품은 양손으로 조작하도록 규정되어 있습니다.

- ▶ 본 제품에는 모델시리즈 B 36의 **Hilti** 리튬 이온 배터리만 사용하십시오.
- ▶ 이 배터리에는 **Hilti** 충전기 C4/36 시리즈만 사용하십시오.

**3.3 잘못 사용할 수 있는 경우**

- ▶ 벽돌, 콘크리트, 기포콘크리트, 자연석 또는 타일을 절단하지 마십시오.
- ▶ 제품을 액체가 채워져 있는 파이프를 절단하는 데 사용하지 마십시오.
- ▶ 알려지지 않은 모재를 절단하지 마십시오.

**3.4 리튬 이온 배터리 표시**

리튬 이온 배터리의 충전 상태 및 기기의 문제 사항은 리튬 이온 배터리의 표시를 통해 나타납니다. 리튬 이온 배터리의 충전 상태는 배터리 잠금 해제 버튼 둘 중 하나를 누르면 표시됩니다.

상태	의미
4개의 LED가 점등됨.	충전 상태: 75 % ~ 100 %
3개의 LED가 점등됨.	충전 상태: 50 % ~ 75 %
2개의 LED가 점등됨.	충전 상태: 25 % ~ 50 %
1개 LED가 점등됨.	충전 상태: 10 % ~ 25 %
1개 LED가 깜박임.	충전 상태: < 10 %
1개 LED가 깜박임, 기기 작동 준비 상태되지 않음.	배터리가 과열 또는 완전히 방전되었음.
4개 LED가 깜박임, 기기 작동 준비 상태되지 않음.	기기가 과부하 또는 과열되었음.

**i** 컨트롤 스위치가 조작된 상태에서 컨트롤 스위치에서 손을 뗐 후 5초까지는 충전 상태를 조회할 수 없습니다.

배터리 표시기의 LED가 점멸할 경우, "고장 시 대책" 장의 지침에 유의하십시오.



### 3.5 공급품목

다목적 톱, 사용 설명서.

해당 제품에 허용되는 기타 시스템 제품은 **Hilti Store** 또는 다음 사이트에서 확인할 수 있습니다.  
[www.hilti.group](http://www.hilti.group).

## 4 기술자료

	SR 30-A36
정격 전압	36V
EPTA-Procedure 01에 따른 무게	5.2kg
스트로크 (단계 1)	2,000/min
스트로크 (단계 2)	2,800/min
왕복 길이	32mm
척 아답타	0.5in
작동 시 주변 온도	-17 °C ... 60 °C
보관 온도	-20 °C ... 70 °C

### 4.1 EN 62841에 따른 소음 정보 및 진동값

이 지침에 제시된 음압 및 진동수준은 표준화된 측정방법에 따라 측정된 것이며, 전동 공구를 서로 비교하기 위한 용도로 사용할 수 있습니다. 음압 및 진동 수준은 노출 정도를 사전에 예측하는 데에도 유용하게 사용할 수 있도록 설계되어 있습니다.

제시된 데이터는 전동 공구의 주된 용도를 나타냅니다. 그러나 전동 공구를 다른 용도로 사용하거나 다른 공구 비트를 사용할 경우 또는 유지보수를 충분히 하지 않은 상태에서는 데이터에 편차가 있을 수 있습니다. 이러한 경우 전 작업시간에 걸쳐 노출이 현저하게 증가할 수 있습니다.

노출을 정확하게 평가하기 위해서는 기기 작동이 멈춰 있거나 또는 작동 중이지만 실제로는 사용하지 않는 시간도 고려해야 합니다. 이러한 경우 전 작업시간에 걸쳐 노출이 현저하게 감소할 수 있습니다.

사용자를 보호하기 위해 음파 그리고/또는 진동이 작동하기 전에 다음과 같은 추가적인 안전 조치를 취하십시오. 전동 공구와 공구 비트의 유지보수, 손을 따뜻하게 유지, 작업순서 정하기 등.

소음정보

	SR 30-A36
소음 수준 ( $L_{WA}$ )	96dB(A)
소음 수준 허용공차 ( $K_{WA}$ )	5dB(A)
소음 수준 ( $L_{pA}$ )	85dB(A)
음압 수준 허용공차 ( $K_{pA}$ )	5dB(A)

진동 총 값

	SR 30-A36
칩보드 절단 시 진동 배출값 ( $a_{h,b}$ )	22.5m/s <sup>2</sup>
칩보드 절단 시 오차 (K)	3.7m/s <sup>2</sup>
목재 빔 절단 시 진동 배출값 ( $a_{h,wb}$ )	20.5m/s <sup>2</sup>
목재 빔 절단 시 오차 (K)	3.3m/s <sup>2</sup>

### 4.2 배터리

배터리 모드 전압	36V
작동 시 주변 온도	-17 °C ... 60 °C
보관 온도	-20 °C ... 40 °C
충전 시작 시 배터리 온도	-10 °C ... 45 °C



## 5 작업 준비

### 주의

돌발적인 작동으로 인한 부상 위험!

- ▶ 배터리를 끼우기 전에 해당 제품의 전원이 꺼져 있는지 확인하십시오.
- ▶ 기기 설정 또는 액세서리를 교체하기 전에 배터리를 제거하십시오.

본 문서 및 제품에 나와 있는 안전 지침 및 경고 지침에 유의하십시오.

### 5.1 배터리 충전

1. 충전하기 전에 충전기의 사용 설명서를 읽으십시오.
2. 배터리 및 충전기의 접점이 청결하고 건조한 상태인지 확인하십시오.
3. 허용되는 충전기에서 배터리를 충전하십시오.

### 5.2 배터리 삽입

#### 주의

단락 또는 배터리 낙하로 인한 부상 위험!

- ▶ 배터리를 끼우기 전에 배터리의 접점 및 제품의 접점에 이물질이 남아 있지 않은지 확인하십시오.
- ▶ 배터리가 제대로 고정되었는지 확인하십시오.

1. 처음으로 사용하기 전, 배터리를 완전히 충전하십시오.
2. 잠기는 소리가 들릴 때까지 배터리를 기기 홀더 안에 끼우십시오.
3. 배터리가 정확하게 설치되어 있는지 점검하십시오.

### 5.3 배터리 제거

1. 배터리의 잠금 해제 버튼을 누르십시오.
2. 기기 홀더에서 배터리를 분리하십시오.

### 5.4 비계 후크 장착(액세서리)

1. 안전운반장치를 활성화시키십시오.
2. 비계 후크를 장착하십시오.

### 5.5 톱날 장착



1/2"-연결 끝이 포함된 톱날만 사용하십시오.

1. 안전 운반 장치를 활성화시키거나 배터리를 공구로부터 분리하십시오.
2. 공구의 끝이 깨끗한지, 그리고 그리스가 약간 발라져 있는지를 점검하십시오. 필요할 경우 공구의 끝을 청소한 다음 그리스를 바르십시오.
3. 잠금 레버를 위쪽으로 스톱 위치까지 밀고 이 위치에서 잡고 계십시오.
4. 톱날을 앞에서 톱날 클램프까지 누르십시오.
5. 잠금 레버가 미끄러져 되돌아가게 하십시오.
6. 톱날에서 당겨보면서 고정되어 있는지 점검하십시오.

### 5.6 흡입 연결부위 장착(미국: 액세서리)

1. 접촉 슈를 빼내십시오.
2. 흡입 연결부위를 접촉 슈 어댑터에 설치하십시오.
3. 약간의 그리스가 도포된 접촉 슈를 가이드에 완전히 삽입하십시오.



## 6 조작

### 주의

단락 또는 배터리 낙하로 인한 부상 위험!

- ▶ 배터리를 끼우기 전에 배터리의 접점 및 제품의 접점에 이물질이 남아 있지 않은지 확인하십시오.
- ▶ 배터리가 제대로 고정되었는지 확인하십시오.

본 문서 및 제품에 나와 있는 안전 지침 및 경고 지침에 유의하십시오.

### 6.1 톱 이동

1. 톱의 지정된 손잡이를 잡으십시오.
2. 톱이 작업물에 닿을 때까지 미십시오.
3. 톱을 앞뒤로 움직이십시오.
  - ↳ 톱을 작업물 쪽으로 밀면, 톱날이 파손되거나 부상을 입을 수 있습니다.

### 6.2 톱질 작업

#### 경고

후크 결합으로 인한 부상 위험! 기기가 떨어질 경우 작업자 및 다른 사람이 다칠 수 있습니다.

- ▶ 작업을 시작하기 전 후크가 안전하게 고정되어 있고, 손상이 없는지 확인하십시오.

1. 안전 운반 장치를 비활성화시키고, 컨트롤 스위치를 누르십시오.
  - ↳ 그림 부분에서 톱을 효과적으로 이동시킬 수 있는 방법을 확인할 수 있습니다.
2. 톱 작업이 종료되면, 컨트롤 스위치에서 손을 떼십시오.
3. 안전 운반 장치를 활성화시키십시오.

### 6.3 톱날 분리

#### 주의

부상위험! 공구 비트가 뜨겁거나 그리고/또는 모서리가 날카로울 수 있습니다.

- ▶ 공구 비트 교체 시 보호장갑을 착용하십시오.
- ▶ 절대 뜨거운 공구 비트를 인화성 플레이트에 놓지 마십시오.

1. 안전 운반 장치를 활성화시키거나 배터리를 공구로부터 분리하십시오.
2. 잠금 레버를 위쪽으로 스톱 위치까지 밀고 이 위치에서 잡고 계십시오.
3. 톱날을 클램프로부터 앞쪽으로 당기십시오.
4. 잠금 레버가 미끄러져 되돌아가게 하십시오.

## 7 관리 및 유지보수

### 경고

배터리가 끼워진 상태에서 부상 위험!

- ▶ 관리 및 수리 작업을 진행하기 전에 항상 배터리를 제거하십시오!

#### 기기 관리

- 공구에 부착된 오염물질을 조심스럽게 제거하십시오.
- 마른 솔로 환기 홀을 조심스럽게 청소하십시오.
- 하우징은 약간 물을 적신 천으로만 닦으십시오. 플라스틱 부품을 손상시킬 수 있으므로 절대로 실리콘이 함유된 보호제를 사용하지 마십시오.
- 톱날 홀더 바깥쪽을 정기적으로 닦아주고 윤활제를 발라주십시오. 이를 위해 Hilti 스프레이 314648을 사용하십시오.

#### 리튬 이온 배터리 관리

- 배터리를 오일 및 그리스가 묻지 않도록 깨끗하게 유지하십시오.
- 하우징은 약간 물을 적신 천으로만 닦으십시오. 플라스틱 부품을 손상시킬 수 있으므로 절대로 실리콘이 함유된 보호제를 사용하지 마십시오.
- 습기가 스며들지 않도록 주의하십시오.



### 유지보수

- 눈에 보이는 모든 부품은 정기적으로 손상 여부를 점검하고 조작 요소가 아무 문제 없이 작동하는지 점검하십시오.
- 손상되었거나 기능 장애가 있는 경우에는 제품을 작동하지 마십시오. 바로 Hilti 서비스 센터에서 수리받으십시오.
- 관리 및 수리 작업 후 모든 보호장치를 가져와 기능을 점검하십시오.



안전하게 작동하기 위해서는 순정품 예비 부품 및 소모품만 사용하십시오. 해당 제품에 허용되는 예비 부품, 소모품 및 액세서리는 **Hilti Store** 또는 **www.hilti.group**에서 확인할 수 있습니다.

### 7.1 접촉 슈 교환



접촉 슈는 필요에 따라 교환할 수 있습니다.

1. 배터리를 제거하십시오.
2. 톱날을 분리하십시오. → 페이지 183
3. 톱 아래쪽에 있는 접촉 슈 적색 잠금해제 버튼을 누르십시오.
4. 접촉 슈를 빼내십시오.
5. 톱 아래쪽에 있는 접촉 슈 적색 잠금해제 버튼을 누르십시오.
6. 약간의 그리스가 도포된 접촉 슈를 가이드에 완전히 삽입하십시오.
7. 접촉 슈가 맞물려 끼워졌는지 점검하십시오.

## 8 배터리 기기 운반 및 보관

### 운반



#### 주의

운반 시 돌발적으로 작동됨!

- ▶ 제품은 항상 배터리를 장착하지 않은 상태로 운반하십시오!
- ▶ 배터리를 분리하십시오.
- ▶ 배터리를 포장하지 않은 채로 운반해서는 절대 안 됩니다.
- ▶ 기기 및 배터리를 장시간 운반한 후에는 사용하기 전에 손상 여부를 점검하십시오.

### 보관



#### 주의

배터리 결함 또는 방전으로 인한 돌발적인 손상!

- ▶ 제품은 항상 배터리를 장착하지 않은 상태로 보관하십시오!
- ▶ 기기 및 배터리는 최대한 시원하고 건조한 곳에서 보관하십시오.
- ▶ 배터리는 절대 직사광선이 들어오는 곳, 히터 위 또는 유리 뒤쪽에 보관하지 마십시오.
- ▶ 기기와 배터리는 어린이 및 허용되지 않는 사람의 손에 닿지 않도록 하십시오.
- ▶ 기기 및 배터리를 장시간 보관한 후에는 사용하기 전에 손상 여부를 점검하십시오.

## 9 문제 발생 시 도움말

본 도표에 제시되어 있지 않거나 스스로 해결할 수 없는 문제가 발생한 경우 Hilti 서비스 센터에 문의해 주십시오.

### 9.1 다목적 톱을 작동할 수 없습니다.

장애	예상되는 원인	해결책
기기가 작동하지 않음.	배터리가 완전하게 삽입되지 않음.	▶ "찰칵"하는 소리가 들릴 때까지 배터리를 맞물려 고정시키십시오.
	배터리 방전됨.	▶ 배터리를 충전하십시오.
	안전운반장치 작동하지 않음.	▶ 안전운반장치를 작동시키십시오.



장애	예상되는 원인	해결책
톱날 홀더에서 톱날을 제거할 수 없음.	잠금 레버가 스톱 위치까지 놓리지 않음	▶ 잠금 레버를 스톱 위치까지 누르고 톱날을 돌려 빼내십시오.
	톱날 홀더에 톱 작업 잔여물이 섞임.	▶ 톱 작업 잔여물을 제거한 후, 톱날 홀더 바깥쪽을 정기적으로 닦아주십시오. 기기 관리. → 페이지 183

## 9.2 다목적 톱이 작동됨

장애	예상되는 원인	해결책
기기가 전출력으로 작동되지 않음	컨트롤 스위치가 완전히 놓리지 않음	▶ 컨트롤 스위치를 완전히 끝까지 누르십시오.
	배터리가 방전되었음	▶ 배터리를 교체하고 방전된 배터리를 충전하십시오.
톱날 홀더에서 톱날을 제거할 수 없음.	잠금 레버가 스톱 위치까지 놓리지 않음	▶ 잠금 레버를 스톱 위치까지 누르고 톱날을 돌려 빼내십시오.

## 10 폐기

Hilti 기기는 대부분 재활용이 가능한 소재로 제작되었습니다. 재활용을 위해 개별 부품을 분리하여 주십시오. Hilti는 대부분의 국가에서 재활용을 위해 노후기기를 수거해 갑니다. Hilti 고객 서비스 센터 또는 판매 상담자에게 문의하십시오.

### 배터리 폐기

배터리를 부적절하게 폐기함으로 인해 가스 또는 용액이 새어나와 건강상의 피해를 입을 수 있습니다.

- ▶ 손상된 배터리는 전달하지 마십시오!
- ▶ 비전도성 소재로 연결 단자를 막아 두어 단락이 발생하지 않게 하십시오.
- ▶ 배터리가 어린이의 손에 닿지 않도록 폐기하십시오.
- ▶ Hilti Store에서 배터리를 폐기하거나 또는 담당 폐기물 처리 업체에 문의하십시오.



- ▶ 전동 공구, 전자식 기기 및 배터리를 일반 가정 쓰레기로 폐기하지 마십시오!

## 11 RoHS (유해물질 사용 제한 지침)

아래 링크에서 유해물질에 관한 도표를 확인할 수 있습니다. [qr.hilti.com/r5962277](http://qr.hilti.com/r5962277).

RoHS 도표로 이어지는 링크는 본 문서 끝에 QR 코드 형식으로 제시되어 있습니다.

## 12 제조회사 보증

- ▶ 보증 조건에 관한 질문사항은 Hilti 파트너 지사에 문의하십시오.



## 1 文件相關資訊

### 1.1 關於此文件

- 初次操作或使用前，請先詳讀此文件。本文件包含安全前提、疑難排解處理和產品使用。
- 請遵守本文件中與產品上的安全說明和警告。
- 操作說明應與產品一起保管，產品交予他人時必須連同操作說明一起轉交。

### 1.2 已使用的符號說明

#### 1.2.1 警告

警告使用本產品的人員可能發生之危險。採用了以下標示文字：



**危險**

危險！

- ▶ 此標語警示會發生對人造成嚴重傷害甚至致死的危險情形。



**警告**

警告！

- ▶ 此標語警示會造成嚴重傷害甚至致死危險的潛在威脅。



**注意**

注意！

- ▶ 此標語警示可能會發生造成人員受傷，或造成設備及其他財產損壞之危險狀況。

#### 1.2.2 文件中的符號

本文件中採用以下符號：



使用前請閱讀操作說明。



使用說明與其他資訊



處理可回收的材料



不可將電子設備與電池當作家庭廢棄物處置

#### 1.2.3 圖解中的符號

圖解中採用了以下符號：

**2**

號碼對應操作說明的開始處的圖解

3

編號代表圖解中的操作步驟順序，可能與內文中的步驟有所不同

⑪

項目參考編號用於總覽圖解，並請參閱產品總覽章節中使用的編號



本符號是為了讓您在操作本產品時可以注意某些重點。

### 1.3 產品專屬符號

#### 1.3.1 產品上的符號

產品上會採用下列符號：

==

直流電 (DC)

$n_0$

無負載下的衝程率





	無線資料傳輸
Li-Ion	鋰電池
	使用Hilti鋰電池類型系列。請遵守用途一節所提供之資訊。

## 1.4 產品資訊

產品是針對專業使用者設計，故僅經訓練、認可的人員可操作、維修與維護本產品。必須告知上述人員關於可能遭遇到的特殊危險。若因未經訓練人員操作錯誤或未依照其原本的用途操作，則本產品和它的輔助工具設備有可能會發生危險。類型名稱和序號都標示於額定銘牌上。

- ▶ 在下方表格中填入序號。與Hilti維修中心或當地Hilti機關聯絡查詢產品相關事宜時，我們需要您提供產品詳細資訊。

### 產品資訊

軍刀鋸	SR 30-A36
產品代別	01
序號	

## 1.5 符合聲明

基於我們唯一的責任，本公司在此聲明本產品符合適用的指示或標準。本文件結尾處有符合聲明之副本。技術文件已歸檔：

Hilti Entwicklungsgesellschaft mbH | Tool Certification | Hiltistrasse 6 | 86916 Kaufering, Germany

## 2 安全性

### 2.1 一般電動機具安全警告

**⚠ 警告** 請詳閱本電動機具提供的所有安全警告、指示、圖解和說明。未能遵守以下所有指示可能會造成電擊事故、火災和/或嚴重的傷害。

妥善保存所有警告及說明，以供將來參考。

注意事項中的「機具」係指使用電源（有線）或電池（無線）的電動機具。

#### 工作區域安全

- ▶ 請保持工作區的清潔與採光充足。雜亂而昏暗的工作區會導致意外發生。
- ▶ 勿在容易發生爆炸的環境中使用機具，例如有可燃性液體、瓦斯或粉塵存在的環境。機具產生的火花可能會引燃塵埃或煙霧。
- ▶ 操作機具時，請與兒童及旁人保持距離。注意力不集中時容易發生失控的情形。

#### 電力安全

- ▶ 機具插頭與插座須能互相搭配。勿以任何方式改裝插頭。勿將任何變壓器插頭和與地面接觸（接地）的電動機具搭配使用。未經改裝的插頭以及能互相搭配的插座可減少發生電擊的危險。
- ▶ 避免讓身體碰觸到如管線、散熱器、爐灶與冰箱等與土地或地表接觸之物品。如果您的身體接觸到地表或地面，將增加電擊的危險。
- ▶ 請勿將機具曝露在下雨或潮濕的環境中。若水氣進入機具中將增加觸電的危險。
- ▶ 勿濫用電纜線。勿以電纜線吊掛、拖拉機具或拔下機具插頭。電纜線應避開熱氣、油、銳利的邊緣或移動性零件。電纜線損壞或纏繞會增加發生電擊事故的危險。
- ▶ 於室外操作機具時，須使用適用於戶外的延長線。使用適合戶外使用的延長線可降低觸電的風險。
- ▶ 如果無法避免在潮濕的地點操作機具，請使用漏電斷路器（RCD）保護電源供應器。使用漏電斷路器（RCD）可降低電擊的風險。

#### 人員安全

- ▶ 操作機具時，請提高警覺，注意進行中的工作並善用常識。感到疲勞或受到藥物、酒精或治療的影響時勿使用機具。操作機具時稍不留神就可能造成嚴重的人員傷亡。
- ▶ 穿戴個人防護裝備。請隨時穿戴眼罩。適當使用防塵面罩、防滑鞋、安全帽及耳罩等安全防護配備可減少人員的傷害。
- ▶ 避免不經意的啟動。在接上電源或電池組、抬起或攜帶機具之前，務必確認開關處於關閉的位置。攜帶機具時，如果把手指放在開關上，或在開關開啟時，將機具插上插頭容易發生意外。



- ▶ 啟動機具前，應將所有調整鑰匙或扳手移開。將扳手或鑰匙留在機具的旋轉零件中可能會造成人員傷害。
- ▶ 勿將手伸出過遠。隨時站穩並維持平衡。這可讓您在意外情況發生時，對機具有較好的控制。
- ▶ 穿著適當服裝。請勿穿著寬鬆的衣服或佩戴珠寶。頭髮、衣服與手套應遠離移動性零件。移動性零件可能會夾到寬鬆的衣服、珠寶或長髮。
- ▶ 如果機具可連接吸塵裝置與集塵設備，請連接並適當使用這些設備。使用集塵裝置可降低與粉塵有關的危險。
- ▶ 請勿因頻繁而習慣使用機具便疏於遵守或忽略機具的安全規範。草率使用可能在轉眼間便造成嚴重的傷害。

#### 機具使用與保養

- ▶ 不可強制使用機具。依據用途使用正確的機具。根據設計的速率使用機具可更快速安全地完成工作。
- ▶ 若開關無法啟動或關閉電動工具時，請勿使用電動工具。任何無法以開關控制的機具都很危險且需要維修。
- ▶ 在進行任何調整、更換配件、或貯放電動機具前，請先將插頭拔離插座和 / 或將電池組自電動機具卸下（如可拆卸）。此預防安全措施可降低機具意外啟動的風險。
- ▶ 將閒置的機具貯放在兒童拿不到的地方，勿讓不熟悉或未詳閱本說明的人員操作本機具。機具在未經訓練的使用者手中是很危險的。
- ▶ 維護機具與配件。請檢查移動性零件有無偏移或黏合的情形、零件有無破損，以及任何會影響機具運轉的狀況。如果機具受損，請先維修後再使用。很多意外便是由維護不當的機具造成的。
- ▶ 保持切割機具的銳利與清潔。具銳利切割邊緣的切割機具如果得到適當的維護，便較不會發生黏合的現象，且較容易控制。
- ▶ 遵守本指示說明使用機具、配件和工具組等，並考量工作條件與待進行的工作。將機具用在原目的之外之用途可能會造成危險。
- ▶ 保持握把與其表面的乾燥、清潔且不要讓上面出現油漬。握把及其表面濕滑會在意外情況中造成機具無法安全掌控。

#### 電池機具的使用與保養

- ▶ 務必使用原廠指定的充電器進行充電。將適合特定類型電池的充電器使用在其他電池時，會有造成火災的危險。
- ▶ 務必使用機具特別指定的電池匣。使用其他的電池匣可能會造成受傷或火災。
- ▶ 電池匣未使用時，請將其遠離如迴紋針、錢幣、鑰匙、針、固定釘或其他會在電池兩極間形成連結的小型金屬物件。在電池兩極間建立短路可能會造成灼傷或火災。
- ▶ 若使用不當，可能有液體由電池流出；請避免接觸該液體。若不慎接觸，請以清水沖洗。如果不小心讓液體接觸到眼睛，請立即尋求醫療援助。從電池中滲出的液體，可能會導致過敏或灼傷。
- ▶ 請勿使用損壞或改裝過的電池組或機具。受損或改裝過的電池可能會無法正常運作而造成起火、爆炸或受傷的風險。
- ▶ 請勿將電池組或機具曝露在火源或極端的溫度環境中。曝露在火源或溫度超過130° C (265 °F) 的環境下可能會造成爆炸。
- ▶ 請遵守充電操作說明且不要在說明所載的溫度範圍之外為電池組或機具充電。不當充電或在指定溫度範圍外充電均可能造成電池損壞並提高起火的風險。

#### 維修服務

- ▶ 請將機具交給合格的維修人員進行維修，並使用相同的替代零件。這可確保維護機具安全。
- ▶ 請勿自行維修損壞的電池。損壞的電池僅可由製造商或授權的維修商進行維修。

## 2.2 採用軍刀鋸片之電鋸的其他安全說明

- ▶ 在執行配件工具可能會接觸到隱藏線路之工作時，請以握住絕緣握把的方式手持機具。若配件工具與帶電線路接觸，機具的金屬零件也會通電，而造成觸電的情況。
- ▶ 請使用夾子或其他適合之方式將工件確實固定在穩定之表面上。只用手或身體抵住的方式固定工件將造成不穩定，進而失去控制。

## 2.3 鋸片的其他安全說明

#### 人員安全

- ▶ 請保持雙手遠離切割區和鋸片。請用另一隻手握住輔助把手或馬達機殼。若以雙手握著電鋸，便不會被鋸片割傷。
- ▶ 請在本產品能正常運轉時使用。
- ▶ 勿嘗試以任何方式改裝機具。
- ▶ 請在更換配件時也戴上防護手套。觸摸配件可能會造成受傷（割傷或燙傷）。



- ▶ 在開始作業前，請先針對作業時所產生粉塵之危險等級進行確認。使用符合當地粉塵防治條例，且經法定認為保護等級之工業用吸塵器。含鉛塗料、某些木材及含石英之混凝土 / 石材 / 石頭、礦物質或金屬等材料的粉塵均對身體有害。
- ▶ 請確保工作場所所有良好通風，必要時，請依會產生的粉塵類型穿戴適合的口罩。接觸或吸入粉塵可能導致操作員或旁觀者出現過敏反應和 / 或呼吸系統或其他疾病。含石綿之材料僅可交由專業人員處理。
- ▶ 請勿將手伸到工件底下。
- ▶ 請勿將工件物件放在手上或腿上進行切割。使用結實的固定座固定工件。
- ▶ 隨時以雙手抓緊握住保持機具穩定，並固定您的雙臂，以抵抗反作用力。
- ▶ 請保持機具握把清潔和乾燥。
- ▶ 身體應位於鋸片的側面，但不可和鋸片呈一直線。發生反作用力時，鋸片可能會向您的身體彈起。
- ▶ 當鋸片發生黏合，或因任何原因需要中斷切割，請關閉電鋸並停在材料上保持不動，直到鋸片完全停止。電鋸正在切割時，切勿將電鋸移開工件或將電鋸往後拉，則可能產生反作用力。
- ▶ 要在工件中重新啟動電鋸時，請將鋸片放置到切口中央，且確認鋸齒沒有卡在材料中。
- ▶ 在牆上或其他盲蔽區域執行切割時，請格外小心。鋸片切入材料時可能會接觸到隱藏的異物，造成反作用力。

### 電力安全

- ▶ 開始工作前，請先檢查工作區域是否有隱藏的電纜線、瓦斯管或水管。若不小心損害電纜線時，機具外部的金屬零件可能會導電而造成電擊的危險。
- ▶ 在執行配件工具可能會接觸到隱藏線路之工作時，請以握住絕緣握把的方式手持機具。若配件工具與帶電線路接觸，機具的金屬零件也會通電，而造成觸電的情況。

### 機具使用與保養

- ▶ 勿使用已經鈍化或損壞的鋸片。這樣會增加摩擦力並造成的鋸片被夾住或產生反作用力之高度風險。
- ▶ 請遵守製造商對鋸片的處理和貯放說明。
- ▶ 本產品應抵住工件直到觸點穩固接觸。如此一來才能確保工作進度最佳化且安全無虞。
- ▶ 請戴上適當的護具以阻絕材料的高溫微粒。

## 2.4 其他安全指示

- ▶ 請在本產品能正常運轉時使用。
- ▶ 勿嘗試以任何方式改裝機具。
- ▶ 勿使用已經鈍化或損壞的鋸片。這樣會增加摩擦力並造成的鋸片被夾住或產生反作用力之高度風險。
- ▶ 開始工作前，請先檢查工作區域是否有隱藏的電纜線、瓦斯管或水管。若不小心損害電纜線時，機具外部的金屬零件可能會導電而造成電擊的危險。
- ▶ 使用結實的固定座固定工件。請勿將工件物件放在手上或腿上進行切割。
- ▶ 僅在將產品定位於作業位置後，才能啟動電源。
- ▶ 使用機具工作時，務必保持與身體間的距離。
- ▶ 請施加適度壓力並以適當速度切割，尤其是切割口徑較大的管線時。這將有助於避免機具過熱。
- ▶ 切割管子前，請確認管內已空。如果必要，請先將管子清乾淨。
- ▶ 切割管子時，請將機具持於高於管子處作業。
  - ↳ 機具無法防止濕氣進入。管子流出的液體可能會造成機具短路。
- ▶ 請勿切割不明的材料，並確保工件上方與下方的切割路徑沒有障礙物。
  - ↳ 若鋸片碰撞到物體時，可能會產生機具彈回的反作用力。
- ▶ 請在更換配件時也戴上防護手套。觸摸配件可能會造成受傷（割傷或燙傷）。
- ▶ 每次不使用、進行維修、更換配件工具以及搬運本機具前，均請務必將電池卸下。
- ▶ 機具貯放或搬運前請先鎖上運送鎖。
- ▶ 請遵守製造商對鋸片的處理和貯放說明。
- ▶ 使用機具時，其使用者及周圍人員都必須戴上適當的護目鏡、安全帽、耳罩、防護手套及口罩。
- ▶ 請務必使用適當的鋸片長度。鋸片必須能以整個衝程穿出工件。
- ▶ 請利用工作空檔時休息，並放鬆與活動您的手指以促進血液循環。
- ▶ 請勿直視機具的光源（LED），並且勿將光束瞄準其他人的臉部。可能會導致量眩或眼睛受損的風險。
- ▶ 飛散的碎片會傷到人體或眼睛。請穿著防護配備，並務必穿戴防護眼鏡與保護手套。
- ▶ 若作業包含鑿穿工程，請在執行作業時注意另一側的安全。

## 2.5 電池的使用與保養

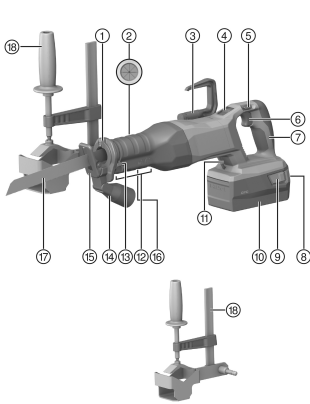
- ▶ 請遵守適用於搬運、貯放和使用鋰電池的特殊法規和操作說明。
- ▶ 請勿讓電池暴露在高溫下、讓陽光直接照射或接觸火焰。
- ▶ 請勿拆解、擠壓或焚燒電池，且不可將電池置放在溫度超過80°C的環境中。



- ▶ 請勿使用或充電受到機構性衝擊、從高處摔落或有損壞跡象之電池。在此情況下，務必聯絡Hilti維修中心。
- ▶ 若電池溫度過高無法觸摸，表示電池可能已經毀損。此時，可將產品置於可隨時觀察並靜置冷卻的非易燃位置，同時遠離易燃物質。在此情況下，務必聯絡Hilti維修中心。

### 3 說明

#### 3.1 產品總覽



- ① 鋸片座
- ② 切割輔助工具的安裝孔
- ③ 折疊式支架掛鉤
- ④ 速率預選
- ⑤ 安全鎖
- ⑥ 控制開關
- ⑦ 後方握把
- ⑧ 電池充電狀態指示燈
- ⑨ 電池放電鈕
- ⑩ 電池
- ⑪ 掛繩的連結眼孔
- ⑫ 前握持區
- ⑬ 鋸片釋放桿
- ⑭ 除塵轉接器 (美國：配件)
- ⑮ 觸點座
- ⑯ 觸點座拆卸鈕
- ⑰ 鋸片
- ⑱ 切割輔助工具 (配件)

#### 3.2 用途

此處所述產品為充電式軍刀鋸。本產品適用於切割木材、仿木材料、金屬和塑膠。本產品設計以雙手進行操作。

- ▶ 本產品限使用B 36系列Hilti鋰電池。
- ▶ 以上電池限使用C4/36系列Hilti電池充電器。

#### 3.3 可能發生的誤用

- ▶ 勿使用本機具切割磚塊、水泥、多孔混凝土、天然石塊或瓷磚。
- ▶ 勿使用本產品切割含液體的管子。
- ▶ 勿切割不明的材料。

#### 3.4 鋰電池電量顯示

鋰電池上的顯示幕會表示鋰電池的充電狀態和機具的功能故障。按下兩個電池拆卸鈕的其中一個後，將會顯示鋰電池的充電狀態。

狀態	意義
4個LED亮起。	充電狀態：75 %至100 %
3個LED亮起。	充電狀態：50 %至75 %
2個LED亮起。	充電狀態：25 %至50 %
1個LED亮起。	充電狀態：10 %至25 %
1個LED閃爍。	充電狀態：< 10 %
1個LED閃爍，表示機具不可使用。	電池過熱或已完全放電。
4個LED閃爍，表示機具不可使用。	機具已過載或過熱。

- ▶ 按下控制開關然後放開控制開關超過5秒後，將無法顯示電池充電狀態。若電池充電狀態LED燈閃爍，請遵守「故障排除」章節所提供的指示。



### 3.5 配備及數量

軍刀鋸、操作說明。

關於本產品，您可於當地Hilti Store或網站查詢其他經過認證可搭配使用的系統產品：[www.hilti.group](http://www.hilti.group)。

## 4 技術資料

	SR 30-A36
額定電壓	36 V
重量 (依據EPTA程序01)	5.2 kg
衝程速率 (第1階段)	2,000 rpm
衝程速率 (第2階段)	2,800 rpm
衝程長度	32 mm
鋸片座	0.5 in
操作時的環境溫度	-17 °C ... 60 °C
貯放溫度	-20 °C ... 70 °C

### 4.1 噪音資訊和震動值 (依據EN 62841)

操作說明中所提供之音壓和震動值已參照標準測量，並可用來比較不同機具之噪音。它們也可作為噪音量的初步評估。

提供之資料表示機具主要應用時之數值。若機具應用於不同之用途，搭配不同的配件工具或在保養不良的情況下，其數據會有所不同。在作業過程中，這會大幅提高其噪音量。

當機具關閉，或開啟但未進行任何作業時也應列入考量，才能準確評估噪音量。在作業過程中，這會大幅降低其噪音量。

確認其他安全措施，以保護操作員不受噪音和 / 或震動影響，例如：保養機具與其配件、操作前保持雙手溫暖、作業型式之安排等。

#### 噪音資訊

	SR 30-A36
聲功率級數 ( $L_{WA}$ )	96 dB(A)
無法判定的聲功率級數 ( $K_{WA}$ )	5 dB(A)
音壓級數 ( $L_{pA}$ )	85 dB(A)
無法判定的音壓級數 ( $K_{pA}$ )	5 dB(A)

#### 總震動

	SR 30-A36
裁鋸夾板的震動噪音值 ( $a_{h, B}$ )	22.5 m/s <sup>2</sup>
無法判定的裁鋸夾板 (K)	3.7 m/s <sup>2</sup>
裁鋸木樑的震動噪音值 ( $a_{h, WB}$ )	20.5 m/s <sup>2</sup>
無法判定的裁鋸木樑 (K)	3.3 m/s <sup>2</sup>

### 4.2 電池

電池操作電壓	36 V
操作時的環境溫度	-17 °C ... 60 °C
貯放溫度	-20 °C ... 40 °C
電池充電啟動溫度	-10 °C ... 45 °C

## 5 工作場所的準備工作

### 注意

因意外啟動而受傷的危險！

- ▶ 置入電池前，請確認產品已關閉。
- ▶ 在調整機具或變更配件前請先將電池拆下。



請遵守本文件中與產品上的安全說明和警告。

## 5.1 為電池充電

1. 電池充電前，請閱讀充電器的操作手冊。
2. 確認電池的接點和充電器的接點清潔且乾燥。
3. 請使用經認可的充電器對電池充電。

## 5.2 置入電池

### 注意

有受傷的危險 因短路或電池掉落！

- ▶ 置入電池前，請確認電池的接點及產品的接點上無任何異物。
- ▶ 確認電池已確實咬合。

1. 初次使用前，請將電池完全充電。
2. 將電池裝入電池托盤，直到聽見咬合時發出的喀啦聲。
3. 請檢查電池是否安裝牢固。

## 5.3 卸下電池

1. 按下電池上的兩顆拆卸鈕。
2. 將電池從裝置的托盤取下。

## 5.4 安裝支架掛鉤（配件）

1. 將運送鎖上鎖。
2. 安裝支架掛鉤。

## 5.5 插入鋸片



僅使用具1/2"連接頭的鋸片。

1. 鎖上運送鎖或將電池自機具卸下。
2. 請檢查配件接頭是否保持乾淨並稍微上些潤滑油脂。如果必要，請將彈圈夾具清潔並上些潤滑油脂。
3. 將鎖定機桿推到底並將其固定住。
4. 將鋸片從前面推到夾頭中。
5. 讓鎖定機桿回到原本的位置。
6. 夾緊並拉動鋸片，檢查它是否已鎖在固定位置。

## 5.6 安裝除塵轉接器（美國：配件）

1. 將觸點座拉出。
2. 將除塵轉接器設置在觸點座支架上。
3. 為觸點座塗上少量的潤滑油脂，然後完全推入導座。

## 6 操作

### 注意

有受傷的危險 因短路或電池掉落！

- ▶ 置入電池前，請確認電池的接點及產品的接點上無任何異物。
- ▶ 確認電池已確實咬合。

請遵守本文件中與產品上的安全說明和警告。

## 6.1 導引電鋸

1. 使用專用的握把來握住電鋸。
2. 將電鋸導引至工件中。



3. 導引電鋸前後移動。
  - ↳ 若將電鋸壓在工件上，可能有鋸片斷裂並造成受傷的危險。

## 6.2 切割

### 警告

因損壞的支架掛鉤而受傷的危險！工具掉落可能對您或他人造成危害。

- ▶ 開始工作前，請檢查支架掛鉤是否固定且未受損。

1. 鬆開運送鎖，然後按下控制開關。
  - ↳ 圖形的部分說明多種有效導引電鋸的方式。
2. 切割完成後請鬆開控制開關。
3. 將運送鎖上鎖。

## 6.3 移除鋸片

### 注意

有受傷的危險！配件可能會非常燙和 / 或有尖銳的邊緣。

- ▶ 請在更換配件工具時戴上防護手套。
- ▶ 不得將配件工具放置在可燃表面上。

1. 鎖上運送鎖或將電池自機具卸下。
2. 將鎖定機桿推到底並將其固定住。
3. 將鋸片向前拉出鋸片座。
4. 讓鎖定機桿回到原本的位置。

## 7 維護和保養

### 警告

電池裝入時有受傷的危險！

- ▶ 進行維護及保養前，請務必卸下電池！

### 機具維護及保養

- 仔細清除機具的頑強灰塵。
- 請使用乾燥的刷子小心清潔通風口。
- 僅能使用微濕軟布清潔外殼。勿使用含硅樹脂的清潔或亮光劑，因為可能會造成塑膠零件損壞。
- 定期從外側清潔並潤滑夾頭。配合使用Hilti噴霧劑314648。

### 鋰電池的保養

- 避免電池沾上油脂。
- 僅能使用微濕軟布清潔外殼。勿使用含硅樹脂的清潔或亮光劑，因為可能會造成塑膠零件損壞。
- 避免濕氣進入。

### 維護

- 定期檢查外部零件和控制元件有無損壞跡象，並確認它們運作正常。
- 如果有損壞跡象或任何零件功能故障，請不要操作本產品。請將產品立刻交付Hilti維修中心進行維修。
- 清潔及保養後，裝上所有防護套或保護裝置並檢查功能是否正常。



為確保操作的安全及可靠性，請務必使用原廠Hilti備件與耗材。您可以在Hilti Store或網站：選購Hilti認可的備件、耗材和配件。[www.hilti.group](http://www.hilti.group)。

## 7.1 更換觸點座



觸點座視需要進行更換。

1. 卸下電池。
2. 移除鋸片。→ 頁次 193
3. 按下軍刀鋸下方的紅色觸點座拆卸鈕。



4. 將觸點座拉出。
5. 按下軍刀鋸下方的紅色觸點座拆卸鈕。
6. 為觸點座塗上少量的潤滑油脂，然後完全推入導座。
7. 檢查觸點座已咬合。

## 8 充電式機具的搬運與貯放

### 搬運

#### 注意

搬運時意外啟動！

- ▶ 搬運產品時務必卸下電池！
- ▶ 卸下電池。
- ▶ 切勿以堆疊（分散，未受到保護）的方式運送電池。
- ▶ 長途搬運後，在使用前請檢查機具與電池是否有損壞。

### 設備的貯放

#### 注意

電池故障或漏液造成的意外損害！

- ▶ 儲存產品時務必將電池卸下！
- ▶ 請儘可能將機具與電池貯放於陰涼乾燥處。
- ▶ 請勿將電池貯放於日光直射處、加熱裝置旁或窗台上。
- ▶ 請將機具與電池貯放在乾燥且兒童或未授權的人員無法觸及的地點。
- ▶ 長時間貯放後，在使用前請檢查機具與電池是否有損壞。

## 9 故障排除

若您遇到未列出的問題或是無法自行排除的問題，請聯絡Hilti維修中心。

### 9.1 軍刀鋸狀態異常。

故障	可能原因	解決方法
機具無法啟動。	沒有正確安裝電池。	▶ 將電池推入直到咬合至定位。
	電池電力耗盡。	▶ 裝入電池。
	運送鎖已上鎖。	▶ 將運送鎖解除。
鋸片無法自夾頭卸下。	鎖定機桿未推到底。	▶ 將鎖定機桿推到底，然後卸下鋸片。
	夾頭因切割操作而造成殘留物堵塞。	▶ 定期從外側清潔夾頭因切割操作而造成的殘留物。機具保養。 → 頁次 193

### 9.2 軍刀鋸狀態正常

故障	可能原因	解決方法
機具無法產生全功率。	未完全按下控制開關	▶ 將控制開關完全壓下。
	電池已放電。	▶ 更換電池，並對無電量的電池再次充電。
鋸片無法自夾頭卸下。	鎖定機桿未推到底。	▶ 將鎖定機桿推到底，然後卸下鋸片。

## 10 廢棄設備處置

Hilti機具或設備所採用的材料大部分均可回收再利用。材料在回收前必須正確地分類。在許多國家中，您可以將舊機具及設備送回Hilti進行回收。詳情請洽Hilti維修中心，或當地Hilti代理商。

### 電池處置

不當處理電池會造成有害健康之氣體或液體。

- ▶ 請勿以郵寄方式寄送電池！





- ▶ 將電池端子蓋上不導電物質（例如絕緣膠帶）以避免短路。
- ▶ 請將電池棄置於兒童無法觸及的地方。
- ▶ 請將該電池送交Hilti Store處理，或參考所在地的垃圾處理管轄機構或公共健康與安全機關之處理說明。



- ▶ 請勿將機具、電子設備或電池當作一般家用廢棄物處理！

## 11 RoHS (有害物質限制指令)

按一下本連結可前往危險物質表：[qr.hilti.com/r5962277](http://qr.hilti.com/r5962277)。  
您可在文件最後找到QR碼格式的RoHS表連結。

## 12 製造商保固

- ▶ 如果您對於保固條件有任何問題，請聯絡當地Hilti代理商。



# 1 文档信息

## 1.1 关于该文档

- 首次操作或使用前，请先阅读本文档。这是安全、无故障地操作和使用产品的前提条件。
- 请遵守本文档中以及产品上的安全说明和警告。
- 请务必将本操作说明与本产品保存在一起，确保将操作说明随产品一起交给他人。

## 1.2 使用符号的说明

### 1.2.1 警告

警告是为了提醒您在处理或使用此产品时会发生的危险。使用以下信号词：



危险！

- ▶ 用于让人们能够注意到会导致严重身体伤害或致命的迫近危险。



警告！

- ▶ 用于提醒人们注意可能导致严重或致命伤害的潜在危险。



小心！

- ▶ 用于提醒人们注意可能导致轻微人身伤害、设备损坏或其他财产损失的潜在危险情形。

### 1.2.2 文档中的符号

本文档中使用下列符号：

	请在使用之前阅读操作说明。
	使用说明和其他有用信息
	处理可回收材料
	不得将电气设备和电池作为生活垃圾处置

### 1.2.3 图示中的符号

图示中使用了下列符号：

	这些编号指本操作说明开始处的相应图示。
	图示中的编号反映操作顺序，可能与文本中描述的步骤不同。
	概览图示中使用了项目参考号，该参考号指的是产品概览部分中使用的编号。
	这些符号旨在提醒您在操作本产品时要特别注意的某些要点。

## 1.3 取决于产品的符号

### 1.3.1 产品上的符号

产品上可以使用下列符号：

	直流电 (DC)
$n_0$	空载时的冲数



	无线数据传输
Li-Ion	锂离子电池
	使用 Hilti 锂离子电池类型系列。请遵守该章节中给出的信息，标题为 预期用途。

## 1.4 产品信息

产品设计适用于专业用户，只有经过专门训练的授权人员才允许操作、维修和维护本产品。必须将任何可能的危险专门告知该人员。不按照既定用途使用或由未经培训的人员不正确地使用本产品及其辅助设备可能会带来危险。

型号名称和序列号印在铭牌上。

▶ 在下表中填写序列号。在联系 Hilti 维修中心或当地 Hilti 机构询问产品时，将要求您提供产品的详细信息。

### 产品信息

往复锯	SR 30-A36
分代号	01
序列号	

## 1.5 符合性声明

按照我们单方面的责任，我们声明本产品符合下列适用指令和标准：一致性声明副本位于本文档结尾处。技术文档在此处归档：

Hilti Entwicklungsgesellschaft mbH | Tool Certification | Hiltistrasse 6 | 86916 Kaufering, Germany

## 2 安全

### 2.1 一般电动工具安全警告

**⚠ 警告** 请阅读本电动工具随附的所有安全警告、说明、图示和技术规范。不遵守下列所有操作说明可能会导致电击、火灾和/或严重人身伤害。

请保存所有安全警告和操作说明，以供将来参考。

在所有下列的警告中术语“电动工具”指市电驱动(有线)电动工具或电池驱动(无线)电动工具。

#### 工作区域安全

- ▶ 保持工作区域清洁和良好照明。杂乱和黑暗的区域容易导致事故。
- ▶ 不要在爆炸性环境中操作电动工具，例如有易燃液体、气体或灰尘。电动工具会产生可以点燃这些灰尘或烟雾的火花。
- ▶ 在操作电动工具时，要令儿童和旁观者远离工作现场。万一分心，可能会使您失去对电动工具的控制。

#### 电气安全

- ▶ 电动工具(设备)插头必须匹配电源插座。切勿以任何方式改动插头。对于接地的电动工具(设备)，不要使用任何适配器插头。使用未经改动的插头和匹配的电源插座可以大大减少电击危险。
- ▶ 避免人体接触接地表面，如管道、散热片和冰箱。如果您的身体接地，则会增加电击危险。
- ▶ 不要将电动工具暴露在雨水或潮湿环境中。电动工具进水将会增加电击危险。
- ▶ 不要滥用电缆。切勿使用电缆运送、拉动或拔出电动工具。保持电缆远离高温、油、锋利边缘或运动部件。电缆损坏或缠绕会增加电击危险。
- ▶ 当在户外操作电动工具时，应使用经认可适合户外操作的加长电缆。使用适合户外使用的电缆可减少电击危险。
- ▶ 如果在潮湿环境下操作电动工具是不可避免的，应使用剩余电流动作保护器(RCD)。使用 RCD 可减少电击危险。

#### 人身安全

- ▶ 保持警觉，注意您正在进行的工作，并在操作电动工具的过程中，应利用自己的判断能力。当您疲劳或受到药物、酒精或医疗影响时，请不要使用电动工具。当操作电动工具时，瞬间的分心都可能导致严重的人身伤害。
- ▶ 使用个人防护装备。一定要戴上护目装置。安全装置，诸如适当条件下使用防尘面具、防滑安全鞋、安全帽、听力防护等装置能减少人身伤害。
- ▶ 防止电动工具意外启动。在连接至电源和/或电池组、拿起或搬运电动工具之前，应确保开关处于“关闭”位置。将手指放在开关上搬运电动工具或在开关处于“打开”位置时接通电源，都可能会导致事故发生。



- ▶ 在打开电动工具之前，必须拿掉任何调整键或扳手。让扳手或调整键留在电动工具的旋转部件上可能会导致人身伤害。
- ▶ 不要操之过急。应时刻保持正确的站姿和平衡。这在意外情况下能够更好地控制电动工具。
- ▶ 应确保正确着装。不要穿着松垮的衣服或佩戴首饰。让头发和衣服远离运动部件。松垮的衣服、首饰或长发会卡在运动部件中。
- ▶ 如果提供有用于连接除尘和集尘设施的装置，应确保将它们连接好并正确使用。使用除尘装置可以减少与灰尘相关的危险。
- ▶ 经常使用工具能令您获得较高的熟练度，但不能因此掉以轻心和忽视工具安全准则。一次不慎操作就会在瞬间导致重伤。

#### 电动工具的使用和维护

- ▶ 不要强制使用电动工具。针对您的应用场合使用正确的电动工具。正确的电动工具在其额定设计值范围内将能够更好和更安全地工作。
- ▶ 如果通过开关不能使其打开和关闭，则请不要使用电动工具。任何不能通过开关进行控制的电动工具都是危险的，必须对其进行修理。
- ▶ 在进行任何调整、更换配件或存放电动工具之前，应从电源上断开插头和/或从电动工具上拆下电池组（若可拆卸）。此预防性安全措施可减少意外启动电动工具的危险。
- ▶ 将不用的电动工具存放在儿童拿不到的地方，并且不要让不熟悉电动工具或其操作说明的人员操作电动工具。未经培训的用户操作电动工具是危险的。
- ▶ 维护电动工具和配件。检查是否存在运动部件失调或卡滞、部件断裂和任何其它影响电动工具操作的情况。如果存在损坏，则在使用之前应修理电动工具。许多事故都是由于电动工具维护不良造成的。
- ▶ 保持切削工具锋利和清洁。带锋利切削刃的切削工具如果维护得当，很少会发生卡滞且更容易控制。
- ▶ 按照使用说明书，考虑作业条件和进行的作业来使用电动工具、附件和工具的刀头等。将电动工具用于指定用途以外的场合会导致危险。
- ▶ 使手柄和抓握面保持干燥、清洁且没有油脂。如果手柄和抓握面打滑，将无法在意外情况下安全操作或控制本工具。

#### 无绳（电池操作）工具/设备的使用和维护

- ▶ 充电时只能使用制造商指定的充电器。适合某种类型电池组的充电器如果被用于为另一类型电池组充电，则可能会带来火灾危险。
- ▶ 只能使用专用电池组为电动工具供电。使用任何其它电池组可能会带来人身伤害和火灾。
- ▶ 当电池组不用时，应使其远离其它金属物体，例如纸夹、硬币、钥匙、钉子、螺钉或其它小的金属物体，以免造成短路。如果电池端子被短路，则会造成人员烧伤或火灾。
- ▶ 如果持续滥用电池，则可能会造成液体从电池中喷射出来；注意避免接触到液体。如果意外接触到液体，应用水冲洗。如果液体接触眼睛，除了用大量清水冲洗外，还应立即就医。从电池中喷射出来的液体会导致疼痛或灼伤。
- ▶ 不要使用损坏或改装过的电池组或工具。损坏或改装过的电池会造成不可预测的情形，导致火灾、爆炸或受伤风险。
- ▶ 不要将电池组或工具暴露在明火或过高的温度中。暴露在明火或超过 130 °C (265 °F) 温度中可能导致爆炸。
- ▶ 遵守所有充电说明，且不要在使用说明规定的温度范围之外对电池组或工具充电。充电不正确或在规定温度范围之外充电会损坏电池并增加火灾风险。

#### 保养

- ▶ 将您的电动工具送交专业维修人员，使用同样的备件进行修理。这样才可确保维持电动工具（设备）的安全性。
- ▶ 切勿擅自维修损坏的电池组。仅可由制造商或授权服务提供商执行电池组的维修。

## 2.2 有关使用往复锯条的锯机的附加安全说明

- ▶ 配套工具可能会接触到隐藏的线束，工作时应握住电动工具绝缘把手表面。如果配套工具接触到带电电线，电动工具的金属部件也将带电，从而导致电击。
- ▶ 使用夹具或其他适当方法将工件牢牢固定到稳固的支撑面上。仅用手或者靠着身体持住工件，使工件处于不稳定状态，这会导致失控危险。

## 2.3 有关锯的附加安全说明

#### 人身安全

- ▶ 应保持双手远离切割区域和锯条。保持第二只手在辅助手柄或电动机壳体上。双手放在锯条上时，不会被锯条割伤。
- ▶ 请仅在产品处于完美运转的状态下使用它。
- ▶ 切勿试图以任何方式篡改或改造电动工具。



- ▶ 更换配套工具时，戴上防护手套。触摸配套工具会带来伤害风险（割伤或烫伤）。
- ▶ 在开始工作之前，应测定工作时会产生的粉尘的危险等级。使用具有官方认可防护等级的工业真空吸尘器，并遵守当地适用的粉尘防护规定。一些材料产生的粉尘（例如含铅油漆、某些类型的木材以及含有石英、矿物或金属的混凝土/砖石/石块）可能对人体健康有害。
- ▶ 确保工作场所通风良好，必要时佩戴适用于产生的粉尘类型的呼吸器。接触或吸入这些粉尘会导致操作者或旁观者出现过敏反应和/或呼吸类疾病。仅允许专业人员处理包含石棉的材料。
- ▶ 不要将锯伸入工件下方进行锯切。
- ▶ 切勿单手或把持工件或放在腿上。应将工件固定在坚固的支架上。
- ▶ 双手必须放在专用手柄上牢牢抓住电动工具，并调整好手臂的位置，以吸收反冲力。
- ▶ 保持把手清洁干燥。
- ▶ 身体应站在锯条的一侧，切勿与锯条在一条线上。如果发生反冲，锯条可能会向后弹向您。
- ▶ 如果锯条卡住，或出于任何原因中断操作时，请关闭锯条，使其在物料中保持不动，直至锯条完全停下来。当锯条运动时，切勿试图从工件中移走锯或向后拔动锯，否则锯条会发生反冲。
- ▶ 在工件中重新启动锯时，将锯片置于锯口中心，检查并确认锯齿未切入工件中。
- ▶ 当锯入墙壁或其它盲区时，应极其小心。因为锯进入物料时可能会碰到隐藏障碍，导致发生反冲。

#### 电气安全

- ▶ 开始工作之前，检查工作区域是否有隐蔽的电缆或天然气和水管。如果您意外损坏了电缆，电动工具的外部金属部件可能带电，带来电击风险。
- ▶ 配套工具可能会接触到隐藏的线束，工作时应握住电动工具绝缘把手表面。如果配套工具接触到带电电线，电动工具的金属部件也将带电，从而导致电击。

#### 电动工具的使用和维护

- ▶ 不要使用钝化或损坏的锯片。这会导致摩擦加剧并增加锯条卡滞和反冲的风险。
- ▶ 关于锯片的使用和存放，请遵照制造商的相关说明。
- ▶ 必须将产品按压至工件，直到触靴牢固接触。这样即可确保工作进程最优且安全。
- ▶ 应穿上合适的防护服抵御灼热的材料颗粒物。

## 2.4 附加的安全说明

- ▶ 请仅在产品处于完美运转的状态下使用它。
- ▶ 切勿试图以任何方式篡改或改造电动工具。
- ▶ 不要使用钝化或损坏的锯片。这会导致摩擦加剧并增加锯条卡滞和反冲的风险。
- ▶ 开始工作之前，检查工作区域是否有隐蔽的电缆或天然气和水管。如果您意外损坏了电缆，电动工具的外部金属部件可能带电，带来电击风险。
- ▶ 应将工件固定在坚固的支架上。切勿单手或把持工件或放在腿上。
- ▶ 仅在将产品带到工作位置时才可将其打开。
- ▶ 使用电动工具时应务必让其远离您的身体。
- ▶ 仅仅施加适当的压力并以合适的速度锯切，尤其在锯切大直径管道时。这将有助于防止电动工具过热。
- ▶ 切割管道前，确保管道中没有任何介质。必要时排空管道。
- ▶ 当切割管道时，应握紧电动工具，将其置于锯割管道的上方。
  - ↳ 该电动工具未采取防湿气侵入措施。因此，如果液体从管道中流出，则可能会导致电动工具短路。
- ▶ 切勿锯割未知材料，并确保工件上部和下部的锯割路径上无障碍物。
  - ↳ 如果锯条触碰到障碍物，电动工具会发生反冲。
- ▶ 更换配套工具时，戴上防护手套。触摸配套工具会带来伤害风险（割伤或烫伤）。
- ▶ 当不使用电动工具或者需要维护、更换配套工具和运输时，务必事先取出电池。
- ▶ 在存放或运输本电动工具之前，必须接合安全锁。
- ▶ 关于锯片的使用和存放，请遵照制造商的相关说明。
- ▶ 当使用电动工具时，用户和附近的任何其他人员都必须戴上适当的护目装置、安全帽、护耳装置、防护手套和呼吸防护装置。
- ▶ 请始终使用合适长度的锯条。锯条必须在整个冲程中探出工件。
- ▶ 工作间隙抽时间休息，放松舒展并活络手指，改善手指的血液循环状况。
- ▶ 不得直视电动工具中集成的光源（LED），且不得将光束对准其他人的脸部。眩晕或眼部受伤危险。
- ▶ 飞溅的碎片会导致身体和眼睛受伤。穿戴您的个人防护装备，并始终戴上护目镜和防护手套。
- ▶ 如果涉及穿透作业，应始终固定作业位置对面的区域。

## 2.5 电池的使用和维护

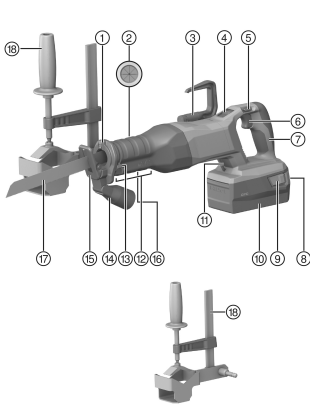
- ▶ 遵守与锂离子电池的运输、储存和使用相关的特殊规定和适用说明。
- ▶ 不要将电池暴露在高温、直射阳光或明火环境下。



- ▶ 请勿拆开、挤压或烧毁电池，不要让它们暴露于超过 80 °C 的高温下。
- ▶ 如果电池受到过物理冲击、从高处跌落过或表现出损坏迹象，则不得使用电池或为其充电。在这种情况下，请务必联系您的 **Hilti 维修中心**。
- ▶ 如果电池发热烫手，则可能有故障。在这种情况下，将产品放在不易燃的地方，远离易燃材料，一边观察电池情况，一边等待其冷却。在这种情况下，请务必联系您的 **Hilti 维修中心**。

### 3 说明

#### 3.1 产品概述



- ① 锯条夹
- ② 切削辅助支座
- ③ 折叠脚手架挂钩
- ④ 转速预选
- ⑤ 安全锁
- ⑥ 控制开关
- ⑦ 后把手
- ⑧ 电池充电状态指示灯
- ⑨ 电池释放按钮
- ⑩ 电池
- ⑪ 系索连接孔
- ⑫ 前部抓握区域
- ⑬ 锯条释放杆
- ⑭ 除尘模块 (美国：配件)
- ⑮ 触靴
- ⑯ 触靴释放按钮
- ⑰ 锯条
- ⑱ 切削辅助装置 (配件)

#### 3.2 预期用途

所述的产品是充电式往复锯。它设计用于切割木材、仿木材料、金属和塑料。本产品设计为两手操作型。

- ▶ 请仅将 **Hilti B 36** 系列锂离子电池与本产品一起使用。
- ▶ 请仅使用 **Hilti C4/36** 系列电池充电器为这些电池充电。

#### 3.3 可能的误用

- ▶ 不得使用本电动工具锯割砖块、混凝土、多孔混凝土、天然石块或瓷砖。
- ▶ 不得使用本产品锯割含有液体的管道。
- ▶ 不得锯割未知材料。

#### 3.4 锂离子电池状态显示

锂离子电池充电状态和电动工具的故障由锂离子电池上的显示屏进行指示。按下两个电池释放按钮中的一个后，可以显示锂离子电池的充电状态。

状态	含义
4 个 LED 亮起。	充电状态：75% 至 100%
3 个 LED 亮起。	充电状态：50% 至 75%
2 个 LED 亮起。	充电状态：25% 至 50%
1 个 LED 亮起。	充电状态：10% 至 25%
1 个 LED 闪烁。	充电状态：< 10%
1 个 LED 闪烁，电动工具未处于备用状态。	电池过热或完全放电。
4 个 LED 闪烁，电动工具未处于备用状态。	电动工具过载或过热。





按下控制开关 5 秒，松开开关之后，将不会显示电池的充电状态。  
如果电池显示屏 LED 闪烁，请按照“故障排除”章节中提供的说明进行操作。

### 3.5 供应的部件

往复锯操作说明。

经认证可配合本产品使用的其它系统产品，可以通过您当地的 **Hilti Store** 购买或通过以下网址订购：[www.hilti.group](http://www.hilti.group)。

## 4 技术数据

	SR 30-A36
额定电压	36 V
重量 (按照 EPTA 程序 01)	5.2 kg
冲数 (1 级)	2,000 rpm
冲数 (2 级)	2,800 rpm
冲程长度	32 mm
锯条夹	0.5 in
工作环境温度	-17 °C ... 60 °C
存放温度	-20 °C ... 70 °C

### 4.1 噪音信息和振动值按照 EN 62841 标准

这些说明中给出的声压和振动值按照标准化测试的要求测得，可用于比较一种电动工具与另一种电动工具。它们还可用于初步评价受振动影响的程度。

提供的数据代表本电动工具的主要应用。但是，如果将电动工具用于不同的应用、使用不同的配套工具或维护不良，则数据可能不同。这可能会显著增加操作者在整个工作期间受振动影响的程度。

对受振动影响程度的准确估计还应考虑当关闭电动工具或当它运行但实际未进行工作时的情况。这可能会显著减小操作者在整个工作期间受振动影响的程度。

此外，应确定附加安全措施，以保护操作者免受噪音和/或振动影响，例如：正确维护电动工具和配套工具、保持双手温暖、制订合理的工作计划等。

#### 噪音信息

	SR 30-A36
声功率级 ( $L_{WA}$ )	96 dB(A)
声音功率级的不确定性 ( $K_{WA}$ )	5 dB(A)
声压级 ( $L_{pA}$ )	85 dB(A)
声压级的不确定性 ( $K_{pA}$ )	5 dB(A)

#### 总振动物量

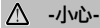
	SR 30-A36
锯齿胶合板的振动排放值 ( $a_{n, B}$ )	22.5 m/s <sup>2</sup>
锯齿胶合板的不确定性 (K)	3.7 m/s <sup>2</sup>
锯齿木梁的振动排放值 ( $a_{n, WB}$ )	20.5 m/s <sup>2</sup>
锯齿木梁的不确定性 (K)	3.3 m/s <sup>2</sup>

### 4.2 电池

电池工作电压	36 V
工作环境温度	-17 °C ... 60 °C
存放温度	-20 °C ... 40 °C
电池充电起始温度	-10 °C ... 45 °C



## 5 工作现场的准备工作



人身伤害的危险 意外启动会带来伤害风险！

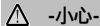
- ▶ 插入电池前，确保已关闭产品。
- ▶ 对电动工具执行任何调节或更换配件前，先取出电池。

请遵守本文中以及产品上的安全说明和警告。

### 5.1 为电池充电

1. 为电池充电之前，请阅读充电器的操作说明。
2. 确保电池和充电器上的触点均清洁、干燥。
3. 使用认可的充电器为电池充电。

### 5.2 插入电池



电池短路或跌落 有导致受伤的危险！

- ▶ 插入电池之前，确保产品上的触点以及设备上的触点均无异物。
  - ▶ 确保电池接合正确。
1. 在首次使用电池之前，要给电池完全充电。
  2. 将电池推入电池座中，直至听到它接合的“咔哒”声。
  3. 检查并确认电池已可靠就位。

### 5.3 拆下电池

1. 按下电池上的释放按钮。
2. 将电池从设备的电池座中拔出。

### 5.4 安装脚手架挂钩 (配件) 2

1. 接合安全锁。
2. 安装脚手架挂钩。

### 5.5 插入锯条 3



仅使用带 1/2" 连接端的锯条。

1. 激活安全锁或将电池与电动工具分离。
2. 检查并确认配套工具的连接端清洁且已用润滑脂轻微润滑。必要时，对其进行清洁并用润滑脂润滑。
3. 将锁止杆推到底并将其固定到该位置。
4. 从前方将锯条推入夹头。
5. 让锁止杆返回原位。
6. 抓住并拉动锯条，以检查确认它已锁止到位。

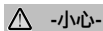
### 5.6 安装除尘模块 (美国：配件) 4

1. 拉出触靴。
2. 将除尘模块正确安装在触靴支座上。
3. 将已用润滑脂轻微润滑的触靴完全插入导向装置。





## 6 操作



**电池短路或跌落 有导致受伤的危险！**

- ▶ 插入电池之前，确保产品上的触点以及设备上的触点均无异物。
- ▶ 确保电池接合正确。

请遵守本文档以及产品上的安全说明和警告。

### 6.1 引导往复锯。5

1. 握住往复锯上提供的把手。
2. 将往复锯置于工件上。
3. 引导往复锯前后移动。
  - ↳ 如果用力按压往复锯 (在工件上)，则会导致锯片断裂并造成人身伤害。

### 6.2 锯切 6



**存在缺陷的脚手架挂钩有导致人身伤害的危险！** 如果工具掉落，则可能会伤害到您或他人。

- ▶ 开始工作前，检查并确保脚手架挂钩牢固且未损坏。

1. 释放安全锁并按下控制开关。
  - ↳ 图形部分对有效引导往复锯的多种方法进行了说明。
2. 完成锯切后，释放控制开关。
3. 接合安全锁。

### 6.3 取下锯条 7



**人身伤害的危险！** 配套工具可能会发烫或边缘很锋利。

- ▶ 更换配套工具时，戴上防护手套。
- ▶ 切勿将发烫的配套工具放在易燃表面上。

1. 接合安全锁或将电池从电动工具中取出。
2. 将锁止杆推到底并将其固定到该位置。
3. 将锯条向前拉出锯条夹。
4. 让锁止杆返回原位。

## 7 维护和保养



**插入电池时存在人身伤害危险！**

- ▶ 执行维护和保养任务之前，请务必先取出电池。

### 本工具的维护和保养

- 小心地清除工具上的顽固污渍。
- 使用干燥的刷子小心清洁通风孔。
- 请仅使用略湿的布清洁壳体。不要使用含硅清洁剂，否则可能腐蚀塑料件。
- 定期从外部清洁和润滑夹头。为此请使用 Hilti 喷剂 314648。

### 锂离子电池的保养

- 确保电池远离油和油脂。
- 请仅使用略湿的布清洁壳体。不要使用含硅清洁剂，否则可能腐蚀塑料件。
- 注意避免湿气侵入。

### 维护

- 定期检查所有可见部件和控制器是否出现损坏迹象，确保其全部正常工作。
- 如果发现损坏迹象或如果有部件发生故障，不要操作本产品。立即将产品交由 Hilti 维修中心修复。



- 清洁和维护之后，安装所有护板或保护装置，检查并确认其正常工作。

**i** 为确保安全和可靠的操作，仅限使用喜利得原装备件和消耗品。Hilti 批准用于配合产品使用的备件、消耗品和配件可到您当地的 **Hilti Store** 购买或通过以下网址在线订购：[www.hilti.group](http://www.hilti.group)。

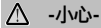
## 7.1 更换触靴

**i** 需要时，可更换触靴。

1. 拆下电池。
2. 取下锯条。→ 页码 203
3. 按下往复锯下侧的触靴的红色释放按钮。
4. 拉出触靴。
5. 按下往复锯下侧的触靴的红色释放按钮。
6. 将已用润滑脂轻微润滑的触靴完全插入导向装置。
7. 检查并确认触靴已接合。

## 8 运输和存放无绳工具

### 运输

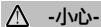


-小心-

运输途中的意外启动！

- ▶ 运输产品前务必将电池取出！
- ▶ 拆下电池。
- ▶ 切勿松散、未加保护地运输大批量电池。
- ▶ 在长时间运输后使用前，检查工具和电池是否损坏。

### 存放



-小心-

电池故障或泄漏导致的意外损坏！

- ▶ 存放产品前务必将电池取出！
- ▶ 将工具和电池存放在尽量凉爽和干燥的地方。
- ▶ 切勿将电池存放在阳光直射位置、加热单元上或窗玻璃后。
- ▶ 将工具和电池存放在儿童或非授权人员无法接近的干燥位置。
- ▶ 工具和电池经过长期存放后，在使用之前，检查其是否受损。

## 9 故障排除

如果您碰到的问题未在此表中列出或您无法自己实施补救措施，请联系 **Hilti** 服务部门。

### 9.1 往复锯未处于正常工作状态。

故障	可能原因	解决方案
工具不启动。	电池未正确插入。	▶ 推入电池，直到听到其接合的咔嗒声。
	电池电量耗尽。	▶ 为电池充电。
	安全锁已接合。	▶ 解开安全锁。
锯条无法从夹头上拆下。	锁止杆未推到底。	▶ 将锁止杆推到底并拆下锯条。
	夹头因锯切操作产生的残留物堵塞。	▶ 清除锯切操作产生的残留物，并定期从外部清洁夹头。电动工具的保养。→ 页码 203



## 9.2 往复锯处于正常工作状态。

故障	可能原因	解决方案
工具不能达到全功率。	没有完全按下控制开关	▶ 完全按下控制开关。
	电池放电。	▶ 更换电池，并对已放电电池充电。
锯条无法从夹头上拆下。	锁止杆未推到底。	▶ 将锁止杆推到底并拆下锯条。

## 10 废弃处置

大部分用于 Hilti 工具和设备生产的材料是可回收利用的。在可以回收之前，必须正确分离材料。在很多国家，您的旧工具、机器或设备可送至 Hilti 进行回收。敬请联系 Hilti 维修中心或 Hilti 代表获得更多信息。

### 电池处置

电池处置不当可能会造成漏气或漏液，最终导致健康危害。

- ▶ 不得通过邮寄方式发送电池！
- ▶ 用非导电材料 (比如绝缘带) 包住端子，以防止短路。
- ▶ 在儿童接触不到的地方处置电池。
- ▶ 请至 Hilti Store 处置电池，或咨询当地政府下属的垃圾处置或公共健康和机构，以获取处置说明。



- ▶ 不得将电动工具、电子设备或电池作为生活垃圾处置！

## 11 RoHS (有害物质限制)

单击链接跳转到有害物质表：[qr.hilti.com/r/5962277](http://qr.hilti.com/r/5962277)。

文档末尾以二维码形式提供指向 RoHS 表的链接。

## 12 制造商保修

- ▶ 如果您有保修条件方面的问题，请联系您当地的 Hilti 公司代表。





# EC Declaration of Conformity | UK Declaration of Conformity



**Manufacturer:**  
**Hilti Corporation**  
Feldkircherstraße 100  
9494 Schaan | Liechtenstein

**Importer:**  
**Hilti (Gt. Britain) Limited**  
1 Trafford Wharf Road, Old Trafford  
Manchester, M17 1BY

## SR 30-A36 (01)

Serial Numbers: 1-99999999999

2006/42/EC | Supply of Machinery (Safety)  
Regulations 2008

EN 62841-1:2015

EN 62841-2-11:2016

2014/30/EU | Electromagnetic Compatibility  
Regulations 2016

EN 55014-1:2017 +  
A11:2020

EN 55014-2:2015

2011/65/EU | The Restriction of the Use of  
Certain Hazardous Substances in Electrical and  
Electronic Equipment Regulations 2012

**Dr. Tahar Zrilli**  
Head of Quality and Process Management  
Business Area Electric Tools & Accessories

Schaan, 27.07.2021

**Tassilo Deinzer**  
Executive Vice President  
Business Unit Power Tools & Accessories



RoHS



[qr.hilti.com/r5962277](https://qr.hilti.com/r5962277)







Hilti Corporation  
LI-9494 Schaan  
Tel.:+423 234 21 11  
Fax:+423 234 29 65  
[www.hilti.group](http://www.hilti.group)



2186519