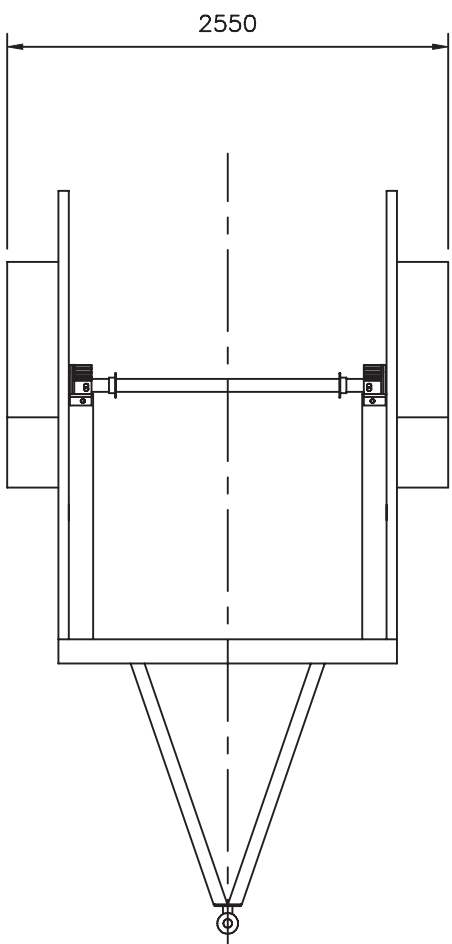
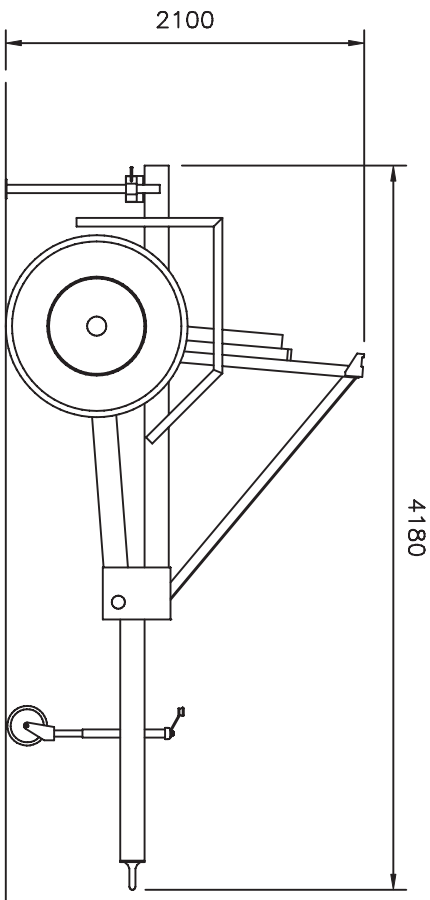


ALL DIMENSIONS IN mm U.O.S.

DO NOT SCALE DRAWING

ALL DIMENSIONS ±1mm U.O.S.



ECC SPECIFICATION

GROSS WEIGHT	-	6500	KG
UNLADEN WEIGHT	-	1350	KG
DRAWBAR LOAD	-	300	KG
AXLE WEIGHT	-	6300	KG
CAPACITY	-	5150	KG
TRAILER WIDTH	-	2550	mm
MAX DRUM DIA	-	3100	mm
MIN DRUM DIA	-	1350	mm
MAX DRUM WIDTH	-	1390	mm
TOWING HEIGHT	-	570	mm (LADEN)
TOWING EYE	-	40 DIN / 50 Ø / 76 Ø	
SPINDLE DIA	-	76	mm
ELECTRICS	-	ECC ROAD GOING	
BRAKES	-	2 LINE AIR - ABS	
TYRES	-	11R 22.5	
SPEED	-	100 Km/h	
MUDGUARDS	-	STEEL FABRICATED	
DRUM LIFT	-	HYDRAULIC WITH MANUAL LOCK	
FINISH	-	2 COAT COMMERCIAL	

REV	DESCRIPTION	DATE	REV	DESCRIPTION	DATE	DATE	8/2/2008	TITLE
						SCALE	1=30	CDT 5.15 PROPOSED G.A.
						NAME		DRG No. CDT 5.15/001