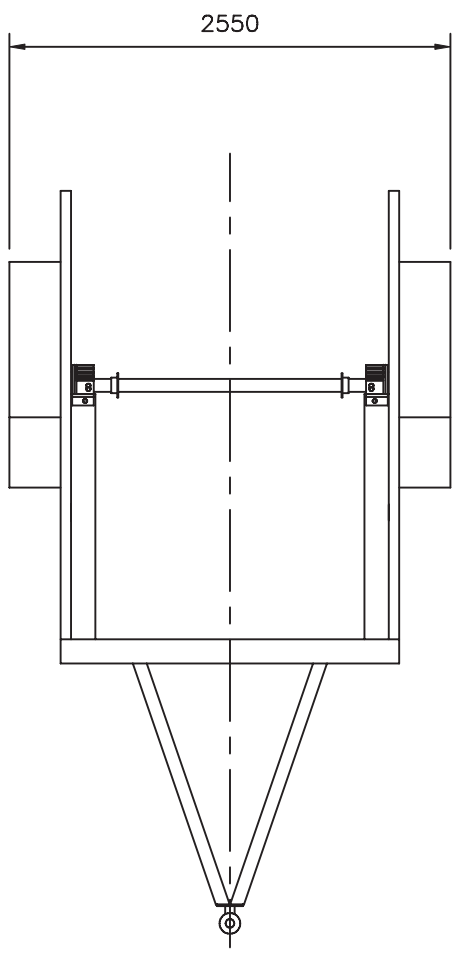
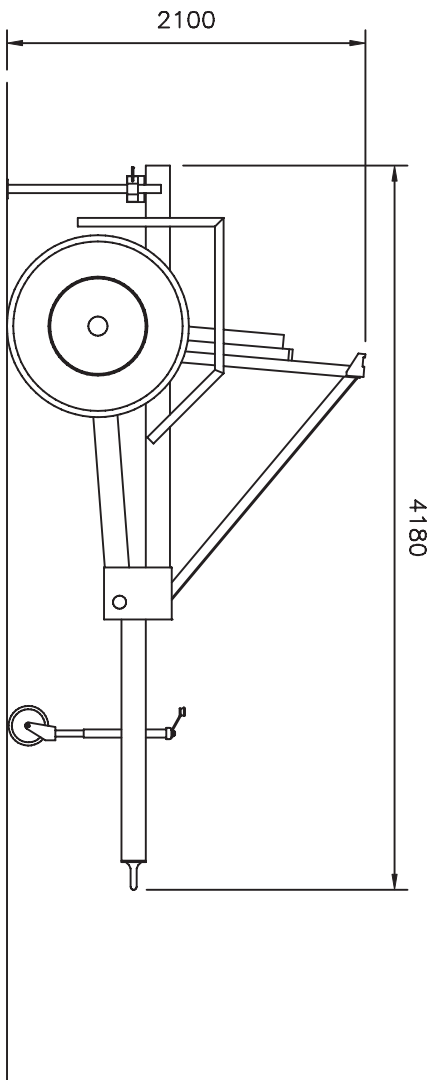


ALL DIMENSIONS IN mm U.O.S. DO NOT SCALE DRAWING ALL DIMENSIONS ±1mm U.O.S.



SITE SPECIFICATION

GROSS WEIGHT	-	8800	KG
UNLADEN WEIGHT	-	1350	KG
DRAWBAR LOAD	-	300	KG
AXLE WEIGHT	-	8500	KG
CAPACITY	-	7450	KG
TRAILER WIDTH	-	2550	mm
MAX DRUM DIA	-	3100	mm
MIN DRUM DIA	-	1350	mm
MAX DRUM WIDTH	-	1490	mm
TOWING HEIGHT	-	570	mm (LADEN)
TOWING EYE	-	50	mm
SPINDLE DIA	-	76	mm
ELECTRICS	-	ROAD GOING NON EEC	
BRAKES	-	OVERRUN	
TYRES	-	11R 22.5	
SPEED	-	25	Kmh
MUDGUARDS	-	STEEL FABRICATED	
DRUM LIFT	-	HYDRAULIC WITH MANUAL LOCK	
FINISH	-	2 COAT COMMERCIAL	

REV	DESCRIPTION	DATE	REV	DESCRIPTION	DATE	DATE	NAME	TITLE
						30/10/2007		CDT 7.45 PROPOSED G.A.
						SCALE 1=30		DRG No. CDT 7.45/001