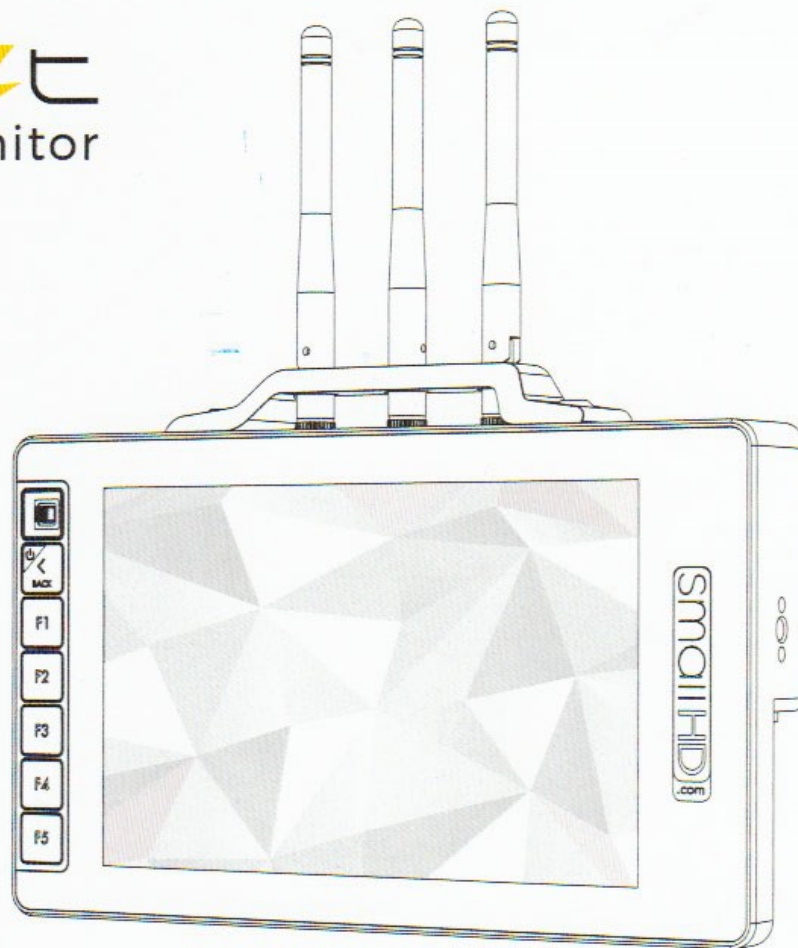


# 703BOLT

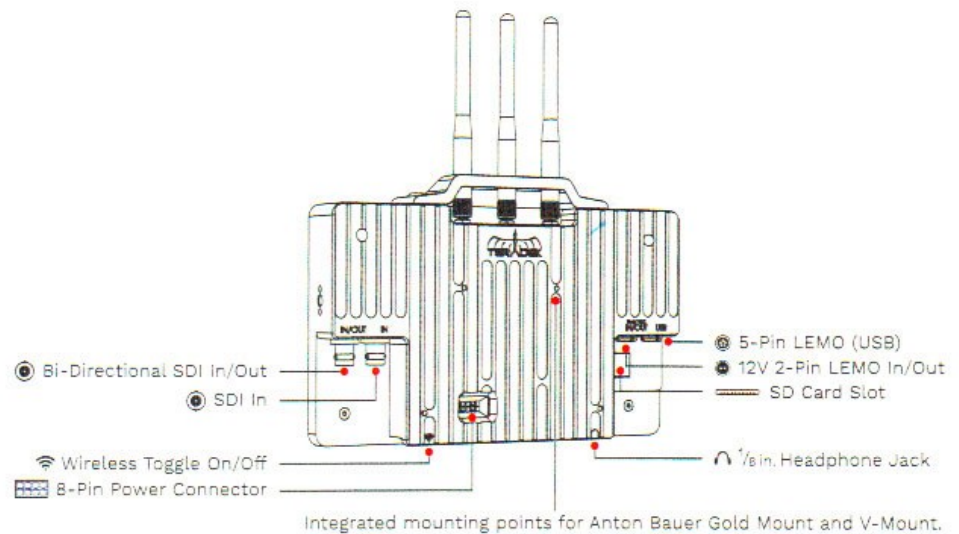
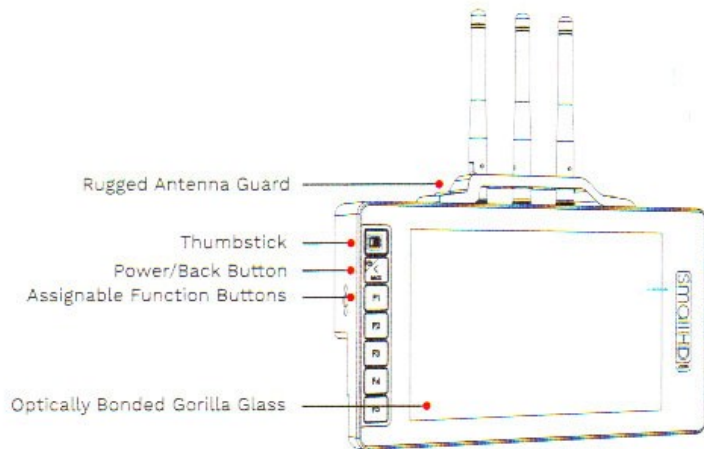
7-inch wireless monitor



smallHD.com TERADEK

**FULL HD WIRELESS MONITOR WITH DAYLIGHT VISIBILITY**

# 703BOC Wireless Monitor



## ANTENNA GUARD

Removable antenna protection.

## THUMBSTICK

Menu navigation.

## POWER ON/OFF + GO BACK

Hold to power on/off. Press to navigate to previous page.

## FUNCTION BUTTONS

Press and Hold to assign button to a specific function.

## GORILLA GLASS

Optically bonded and durable screen protection.

## SDI IN/OUT

Input 2x SDI signals or 1x SDI in and 1x SDI out.

## WIRELESS RECEIVER TOGGLE

Turn on/off the built-in wireless receiver.

## 8-PIN POWER CONNECTOR

Pass through power from Anton Bauer battery plates.

## 5-PIN LEMO (USB)

For use with the SmallHD Color Probe.

## 12V 2-PIN LEMO IN/OUT

Industry standard 12v LEMO in.

## SD CARD SLOT

Load 3D LUTs, firmware updates, and save screen captures.

## 1/8 IN. HEADPHONE JACK

Listen to audio through your monitor.

## MONITOR START UP

After you connect to a power source, follow the on-screen instructions to complete the startup process.

## ACTIVATE YOUR MONITOR

After you set the date and time, follow the on-screen instructions to enter your 12-digit ID into your browser. Once entered, you will receive a 5-digit activation code.



## STAY UP TO DATE

To access the most recent firmware visit: [smallhd.com/support/#firmware](http://smallhd.com/support/#firmware)

# CONNECT AND POWER YOUR 703 BOLT

## INPUTS/OUTPUTS

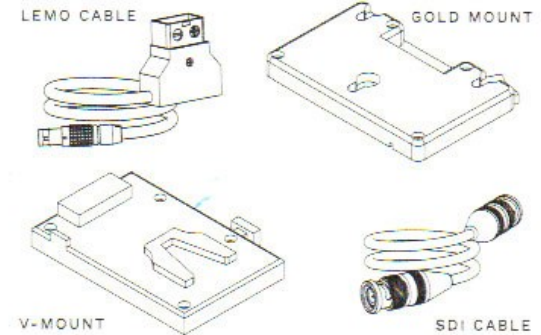
Equipped with a bi-directional SDI port, the 703 Bolt can receive two SDI inputs simultaneously via Multi View monitoring or output a SDI Signal to another monitor.

## BATTERY POWER

An 8-pin power connector is used to connect Anton Bauer Gold or V-mount Battery Plates to the monitor, with native mounting points located on the back of the monitor.

## LEMO POWER

12v 2-pin LEMO Power IN can be utilized to power the monitor via D-tap cable or other power solutions.



## PAIRING

- ① Ensure "ON" is selected via the wireless toggle switch located on the bottom of the 703 Bolt.
- ② Using the 703 Bolt, navigate left with the thumbstick until the Settings Menu appears.
- ③ Scroll down and select the Wireless Menu.
- ④ Select "Paired Tx" to pair a transmitter (This activates pairing mode on the monitor).
- ⑤ Activate pairing mode on your Teradek Bolt transmitter.
- ⑥ Once the Teradek Bolt transmitter is located, "Signal found" and a green check mark will be displayed.
- ⑦ Select "Pair?" to pair your 703 Bolt to the found Teradek Bolt transmitter.
- ⑧ "Paired" will display on screen and a green check mark will appear above monitor on screen.
- ⑨ Exit the menu using the back button to view signal and operate the 703 Bolt.
- ⑩ To unpair, select Wireless in the Settings Menu; select "Paired Tx" and select "Unpair?"

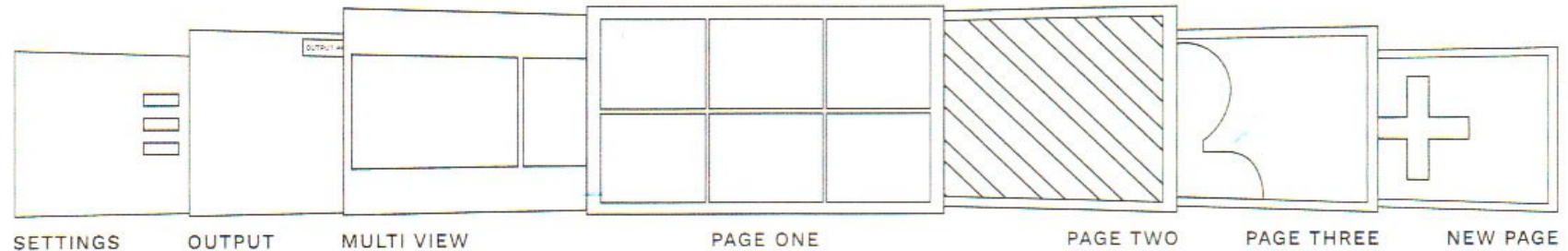


## NEED A LITTLE MORE HELP?

For pairing video and other 703 Bolt setup tutorials visit: [www.smallhd.com/videos](http://www.smallhd.com/videos)  
For additional support please contact: [www.smallhd.com/support](http://www.smallhd.com/support)

# PAGEBUILDER OS

All SmallHD on-camera monitors are equipped with the powerful and easy-to-use PageBuilder operating system. Listed below are instructions on how to get familiar with this system. A Page is a way to organize and access all of your image analysis tools. You can have up to eight different Pages, not including the monitor settings Page.



## NAVIGATION

### MONITOR SETTINGS

Navigate thumbstick LEFT ◀ until monitor settings appear.  
Press thumbstick UP ▲ and DOWN ▼ to navigate.  
Press thumbstick IN ■ to select.  
Press BACK BUTTON ◀ to go to previous Page.

### CHANGE PAGES

Navigate thumbstick LEFT ◀ or RIGHT ▶ to access Pages View.

### PAGES VIEW

Press BACK BUTTON ◀ or thumbstick DOWN ▼ to access Pages View.  
Navigate thumbstick LEFT ◀ and RIGHT ▶ to cycle through Pages.  
Navigate thumbstick UP ▲ or PRESS thumbstick IN ■ to select desired Page.

### ADD A PAGE

Press BACK BUTTON ◀ or thumbstick DOWN ▼ to access Pages View.  
Navigate thumbstick RIGHT ▶ until New Page + appears.  
PRESS thumbstick IN ■ to create a New Page.

### ADD A NEW TOOL

Press thumbstick IN ■ to bring up the Tool Bar.  
Press thumbstick IN ■ to select a Tool.  
Click the + sign to assign or ■ to assign Tool to all pages.  
Navigate thumbstick RIGHT ▶ to customize the Tool.  
Press thumbstick IN ■ to select.  
Press the BACK BUTTON ◀ to go back or remove Tool Bar.

### MULTI VIEW

Navigate to the Multi View Page to view two sources side by side.

### HDR PREVIEW

In the Settings > Input menu, select the gamma that matches the camera source.

FOR DETAILED VIDEO TUTORIALS VISIT US AT: [WWW.SMALLHD.COM/VIDEOS](http://WWW.SMALLHD.COM/VIDEOS)

FOLLOW US ON SOCIAL MEDIA @SMALLHD

