

ECARTONIE

PROFESSIONAL CAMERA SUPPORT

LAMBDA 25 ✓



USER'S MANUAL & Maintenance



IQNet, the association of the world's first class certification bodies, is the largest provider of management System Certification in the world. IQNet is composed of more than 30 bodies and counts over 150 subsidiaries all over the globe.

CERTIFICATO N. 19714/09/S
CERTIFICATE No.

SI CERTIFICA CHE IL SISTEMA DI GESTIONE PER LA QUALITÀ DI
IT IS HEREBY CERTIFIED THAT THE QUALITY MANAGEMENT SYSTEM OF

CARTONI S.P.A.

VIA DI PORTONACCIO, 33/B 00159 ROMA (RM) ITALIA
NELLE SEGUENTI UNITÀ OPERATIVE / IN THE FOLLOWING OPERATIONAL UNITS

VIA DI PORTONACCIO, 33/B 00159 ROMA (RM) ITALIA

È CONFORME ALLA NORMA / *IS IN COMPLIANCE WITH THE STANDARD*
ISO 9001:2015

PER I SEGUENTI CAMPI DI ATTIVITÀ / *FOR THE FOLLOWING FIELD(S) OF ACTIVITIES*

PROGETTAZIONE, FABBRICAZIONE ED ASSISTENZA POST-VENDITA DI PRODOTTI PER LA CINEMATOGRAFIA E LA TELEVISIONE PROFESSIONALE. COMMERCIALIZZAZIONE DI PRODOTTI ED ACCESSORI IN CONCESSIONE PER LA CINEMATOGRAFIA E LA TELEVISIONE PROFESSIONALE

IAF:17
IAF:29

*DESIGN, MANUFACTURE AND POST-SALE ASSISTANCE OF PROFESSIONAL BROADCAST AND FILM EQUIPMENT.
MARKETING OF PROFESSIONAL BROADCAST AND FILM ACCESSORIES AND PRODUCTS AS LOCAL AGENCY/REPRESENTATIVE*

La validità del presente certificato è subordinata a sorveglianza periodica annuale / semestrale ed al riesame completo del sistema di gestione con periodicità triennale
The validity of this certificate is dependent on an annual / six monthly audit and on a complete review, every three years, of the management system
L'uso e la validità del presente certificato sono soggetti al rispetto del documento RINA: Regolamento per la Certificazione di Sistemi di Gestione per la Qualità
The use and validity of this certificate are subject to compliance with the RINA document : Rules for the certification of Quality Management Systems

Prima emissione <i>First Issue</i>	12.06.2009	Data decisione di rinnovo <i>Renewal decision date</i>	24.05.2021
Data scadenza <i>Expiry Date</i>	02.06.2024	Data revisione <i>Revision date</i>	24.05.2021

Amilcare Rini

Rome Management System
Certification, Head

RINA Services S.p.A.
Via Corsica 12 - 16128 Genova Italy



www.cisq.com

CISQ è la Federazione Italiana di Organismi di Certificazione dei sistemi di gestione aziendale



SGQ N° 002 A

Membro degli Accordi di Mutuo Riconoscimento EA, IAF e ILAC

LAMBDA 25

1. INTRODUCTION	4
2. LAMBDA 25 - OPERATING ELEMENTS	4
3. PROCEDURES	6
4. LAMBDA 25 - TECHNICAL DATA	7

LAMBDA 25 - 3rd AXIS (OPTIONAL)

5. 3 rd AXIS - OPERATING ELEMENTS	8
6. HOW TO MOUNT THE 3 rd AXIS	9
7. CAMERA SET-UP WITH 3 rd AXIS	10
8. 3 rd AXIS - TECHNICAL DATA	10
9. MAINTENANCE	11
10. WARRANTY	11
11. ACCESSORIES & PRODUCT LINE	12
12. ENVIRONMENTAL PROVISIONS	12

DISCLAIMER

CARTONI SpA certifies that the information contained in this manual is correct at the time of printing. **CARTONI** SpA reserves the right to update or change any specification, design and/or functionality of the product and the relevant information at any time and without notification. Updates in the documentation will be incorporated in the new release of the same. For the updated version please consult the latest release on our website www.cartoni.com.

DECLARATION OF CONFORMITY

CARTONI SpA declares that this product has been manufactured in accordance with standards ISO 9001:2015 and complies with the EC Directive 2001/95/CE.

1. INTRODUCTION

The innovative lightweight **LAMBDA 25** nodal head represents the ideal solution for Cameras up to 25 kg (55 lbs).

LAMBDA 25 inherits all the classic LAMBDA features with the addition of pan and tilt pierced rotation axis to allow the cable passage and a no limit multiple 360° rotation.

The patented **CARTONI** Fluid drag system is continuous on both axis.

The **LAMBDA 25** Head can be mounted on any classic support as Tripods or Dollies or used in under-slung position from Cranes, Jib arms and Dollies.

- Before using the **LAMBDA 25** Fluid Head, please make sure to read this user's & maintenance manual;
- Before installing the Fluid Head on the tripod or the crane check the support stability.



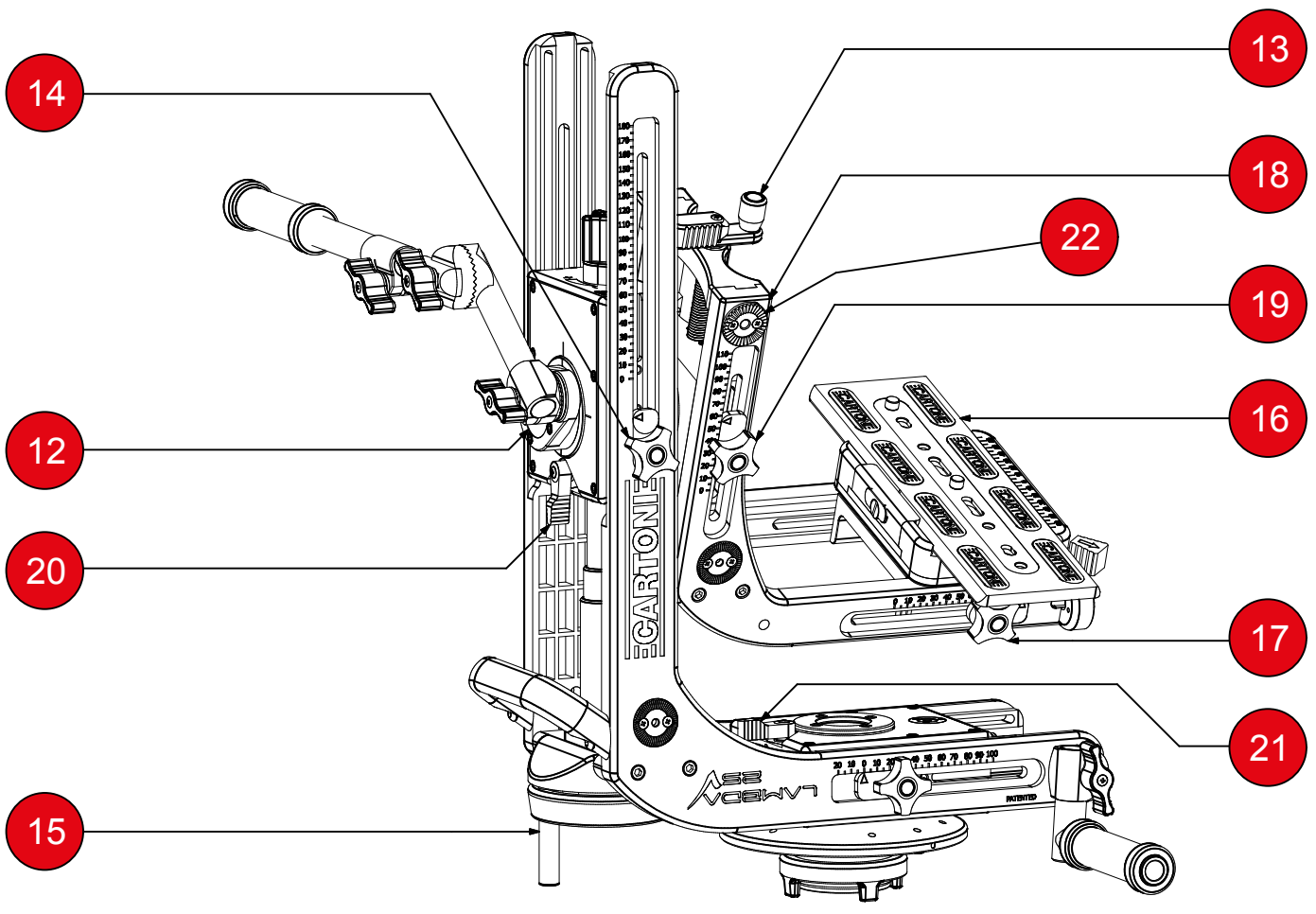
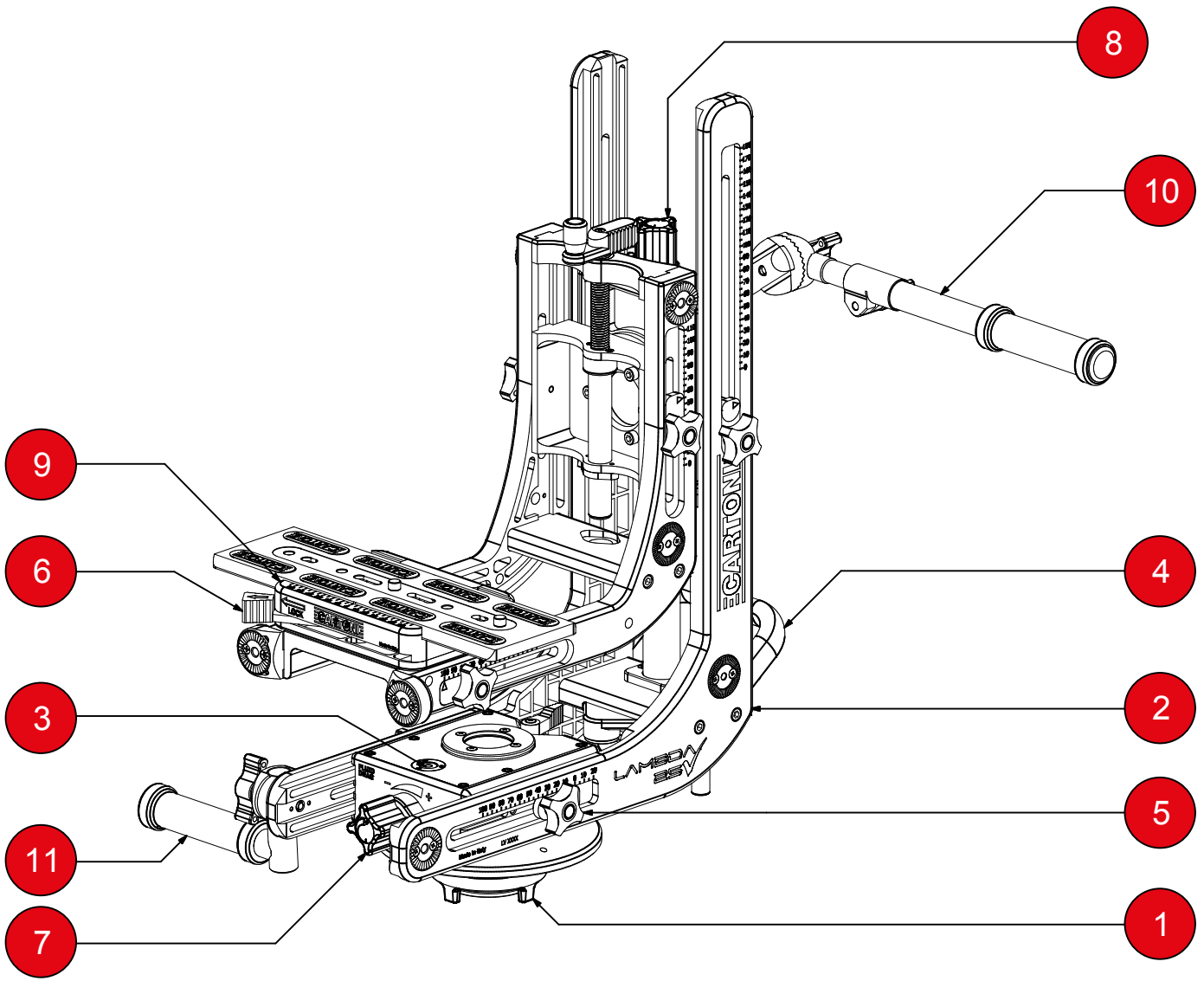
! Check that the Camera payload (including lenses and accessories) is lower than the maximum capacity of the **LAMBDA 25** Fluid Head;



! Before installing the Camera make sure the **LAMBDA 25** is in good conditions and bears no evident damages.

2. LAMBDA 25 - OPERATING ELEMENTS

- | | | | |
|----|-------------------------------|----|--------------------------------------|
| 1 | Fixing nut | 12 | Tilt module rosette |
| 2 | Horizontal slide | 13 | Camera mounting bracket crank |
| 3 | Bubble level | 14 | Vertical slide locking knob |
| 4 | Transport handle | 15 | Main vertical slide crank |
| 5 | Horizontal slide locking knob | 16 | Camera plate |
| 6 | Safety lever | 17 | Sliding Camera support locking knob |
| 7 | Pan drag selector | 18 | Camera mounting bracket |
| 8 | Tilt drag selector | 19 | Camera mounting bracket locking knob |
| 9 | Sliding base | 20 | Tilt lock lever |
| 10 | Main pan bar | 21 | Pan lock lever |
| 11 | Short pan bar | 22 | Rosette |



3. PROCEDURES

- Install the **LAMBDA 25** on the support (tripod, crane, dolly) after locking all the safety knobs.
- Place the **LAMBDA 25** Fluid Head on the Mitchel base and rotate until it matches the steel notch; tighten the Head firmly by screwing in the fixing nut (1) underneath the flat base.



! In under-slung position secure the **LAMBDA 25** with the 2 ¼ inch nut. Check the bubble level (3) for horizontal position.

- Insert pan lock (21) and tilt lock (20) and turn both tilt drag selector (7) and pan drag selector (8) to position "0".
- To release the Camera plate (16) pull the red safety lever (6) and completely open it to disengage the Camera plate.
- Attach the Camera plate under the Camera assembly and firmly tighten it with both screws. Try to place the Camera plate centered under the Camera system, keeping in mind the position of the center of gravity (CG).
- Place the Camera on the **LAMBDA 25**, leaning sideways against the external sliding base (9) side, then push the assembly into horizontal position until the red safety lever (6) clicks in place; push the red safety lever (6) all the way in to lock.
- Unlock both the vertical slide locking knobs (14), unfold outer slide crank (15) and crank it up or down until you find the Camera center of gravity (CG); lock vertical slide locking knobs (14) and fold crank into housing position.
- Unlock both the Camera mounting bracket locking knobs (19) and set the main vertical slide length to fit the Camera dimensions by cranking up bracket (18) with crank (13), lock knobs (19) when in position; if needed, unlock red safety lever (6) and adjust Camera assembly position, then secure with red safety lever (6).
- Unlock horizontal both the slide locking knobs (5), set slide (2) in position, lock horizontal slide locking knobs (5). The Camera assembly center of gravity (CG) should be aligned with the pan unit axis in order to avoid unnecessary offsets and optimise the head performance. At this point Camera has to spin freely 360 degrees around tilt position with the adjustable main pan bar (10).
- Adjust pan (7) and tilt (8) selectors to the desired drag position and unlock pan lock (21).

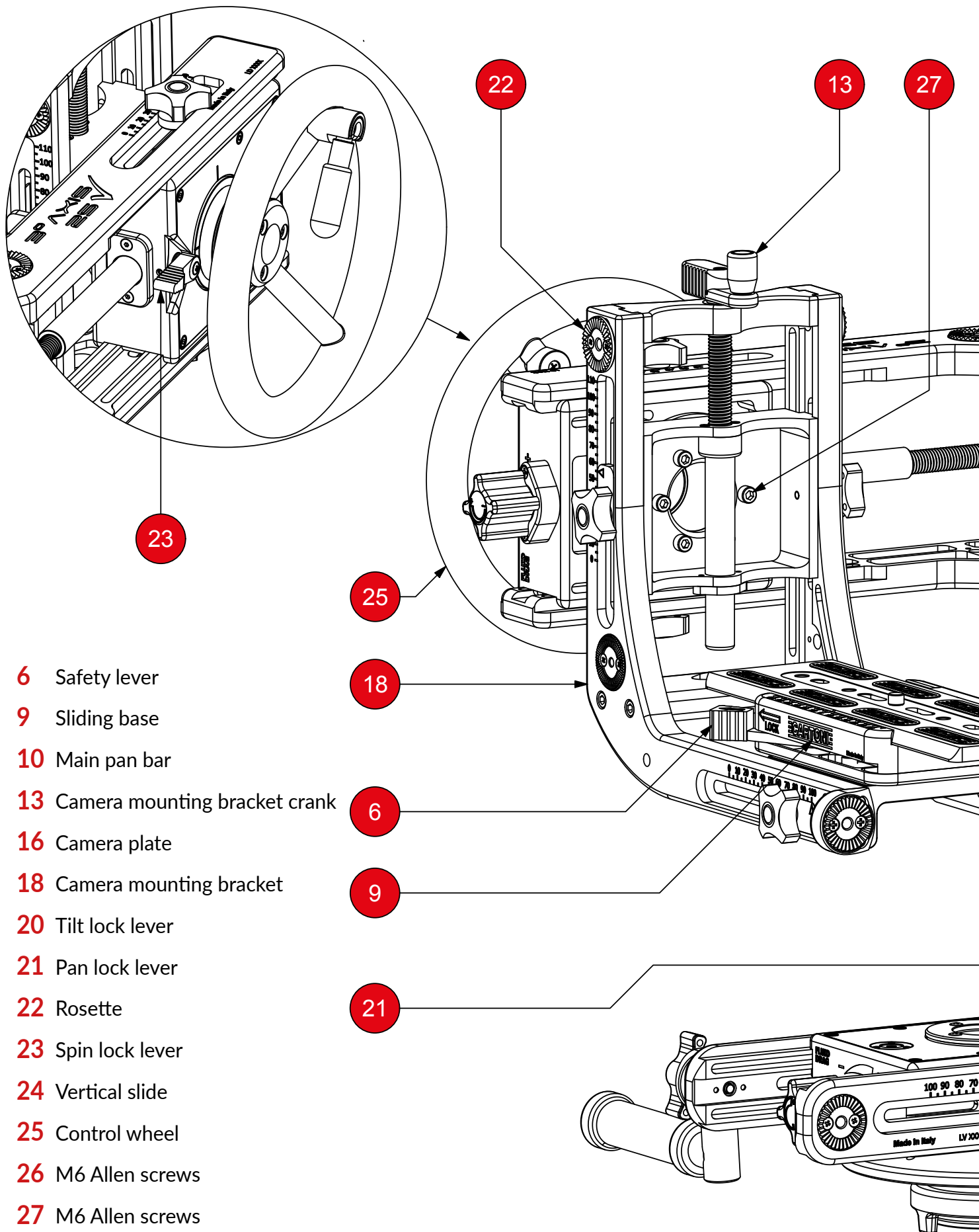
4. LAMBDA 25 - TECHNICAL DATA



Minimum payload	0 Kg	0 lbs
Maximum payload	25 Kg	55 lbs
Weight	12,0 Kg	26.5 lbs
Base	Flat/Mitchell	
Fluid drag	Continuous	
Pan range	360°	
Tilt range	360°	
Temperature range	-40 / +60 °C	-40 / +140 °F

LAMBDA 25 - 3rd AXIS (OPTIONAL)

5. 3rd AXIS - OPERATING ELEMENTS

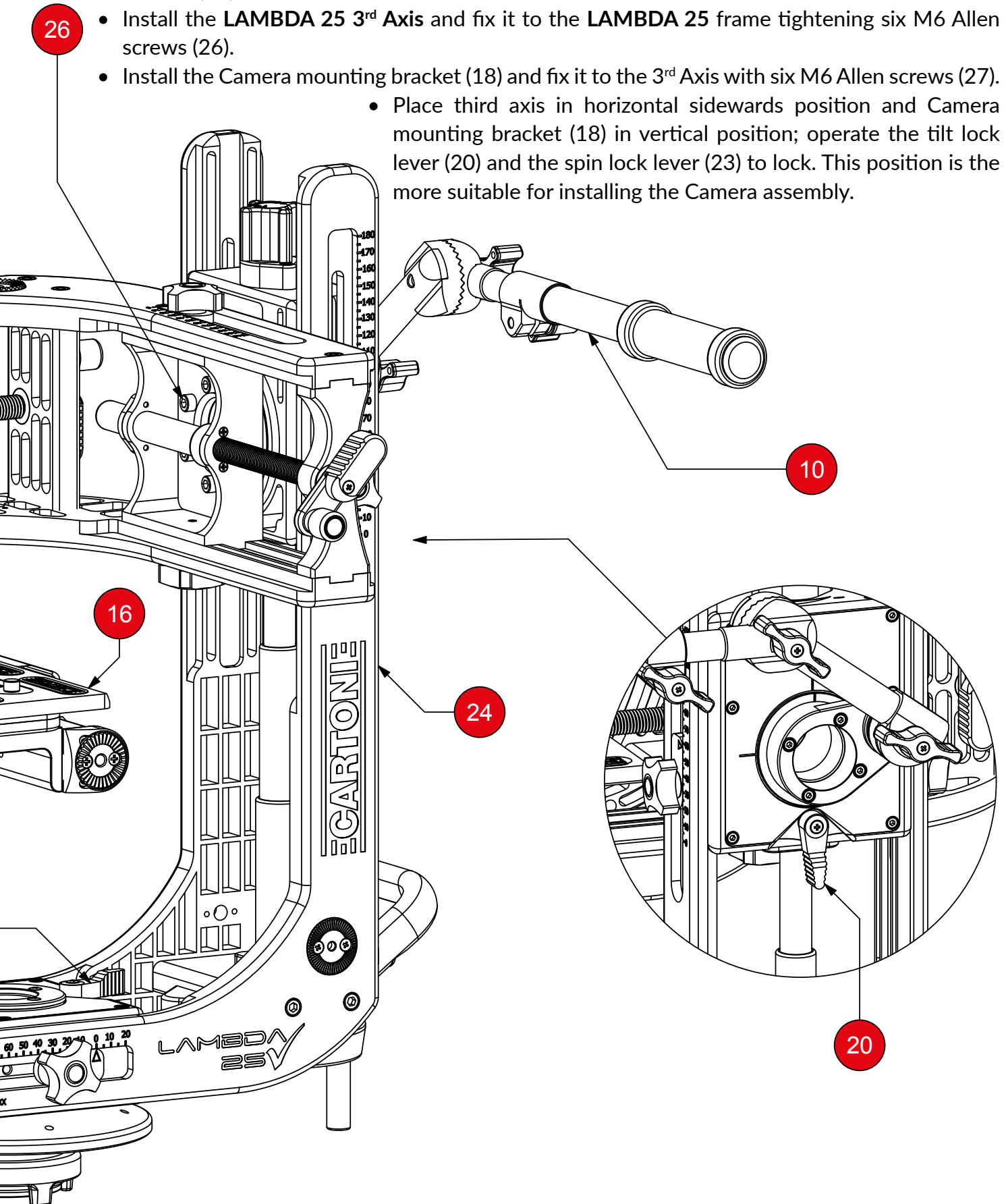


- 6 Safety lever
- 9 Sliding base
- 10 Main pan bar
- 13 Camera mounting bracket crank
- 16 Camera plate
- 18 Camera mounting bracket
- 20 Tilt lock lever
- 21 Pan lock lever
- 22 Rosette
- 23 Spin lock lever
- 24 Vertical slide
- 25 Control wheel
- 26 M6 Allen screws
- 27 M6 Allen screws

6. How To MOUNT THE 3rd AXIS

Please see the video/tutorial at www.cartoni.com:

- Place the Camera mounting bracket (18) horizontally and lock in place with tilt lock lever (20).
- Remove six M6 Allen screws (26) with 5mm Allen screw key and remove the Camera mounting bracket (18).
- Install the **LAMBDA 25 3rd Axis** and fix it to the **LAMBDA 25** frame tightening six M6 Allen screws (26).
- Install the Camera mounting bracket (18) and fix it to the 3rd Axis with six M6 Allen screws (27).
 - Place third axis in horizontal sideways position and Camera mounting bracket (18) in vertical position; operate the tilt lock lever (20) and the spin lock lever (23) to lock. This position is the more suitable for installing the Camera assembly.



7. CAMERA SET-UP WITH 3rd AXIS

- To release the Camera plate (16) pull the red safety lever (6) and completely open it to disengage the Camera plate.
- Secure the Camera plate (16) at 90° orthogonally to the camera assembly and firmly tighten it with both screws.
- Place the Camera on the **LAMBDA 25**, leaning sideways against the external sliding base (9) side, then push the assembly into horizontal position until the red safety lever (6) clicks in place; push the red safety lever (6) all the way in to lock.
- Set the **LAMBDA 25** horizontal slide (2) and vertical slide (24) at needed extension in order to prevent the Camera and its accessories to interfere with the **LAMBDA 25** frame during the 360° movement. Operate the Pan lock lever (21) and tilt lock lever (20) to lock and unlock.
- Place the Camera mounting bracket (18) at 90° on 3rd Axis; lock in position with the spin lock lever (23); unlock the tilt lock lever (20). Check spin rotation and set the Camera assembly position by turning the wheel (25).
- Operate to crank the control wheel (13) to line up the rotation shaft with the position of the Camera center of gravity (CG) (optical rotation center); see video/tutorial at www.cartoni.com.
- If the Camera is out of balance, we have to correct the CG of the entire system. Fix one or two counterbalance rods with weights to the rosette (22), adjust angular position of the rod and the weight position, until you fit the Camera in balance. This operation can require several fine tuning attempts.
- Unlock spin lock lever (23) and Pan lock lever (21).
- The Camera has to be balanced and has to rotate 360° when turning the control wheel (25) for roll rotation and the main Pan bar (10) for Pan and tilt rotation.



8. 3rd AXIS - TECHNICAL DATA

Minimum payload	0 Kg	0 lbs
Maximum payload	20 Kg	44 lbs
Weight	5,8 Kg	12.8 lbs
Fluid drag	Continuous	
Roll range	360°	
Temperature range	- 40 / + 60 °C	- 40 / +140 °F

9. MAINTENANCE

When needed, with indoor use just clean the Head and Tripod with a soft cloth. Dirt accumulated during storage may be removed using a brush or Air spray.

CARTONI products main mechanisms are sealed as they are also built for professional outdoor use.

However, use under rough conditions they will require special care. Salt water is very corrosive and can cause extreme damages. In attempt to avoid further damage the Fluid Head should be washed off with fresh water at the earliest opportunity and perfectly dried before storage.

Sand and dirt are abrasive and should be removed using a semi-stiff brush or Air spray.

10. WARRANTY

All **CARTONI** Fluid Heads & Pedestals have a free of charge three (3) year warranty. Register your product at www.cartoni.com within 30 days from date of first purchase/invoice to receive further two (2) year warranty for the unsurpassed free five (5) year warranty.

Tripods, spreaders, dollies and all accessories are guaranteed one (1) year from the date of first purchase/invoice.

CARTONI warrants that the product supplied will - under proper use - be free from defects in workmanship and materials and agrees that it will, at its option, either repair or replace any defective part within duration of warranty from date of first purchase with no labour charge.

This warranty does not apply to any **CARTONI** product that has been damaged in shipping or handling, abused, misused, operated contrary to instructions for use, neglected, normal wear or tear, modified or changed in design or construction or serviced by unauthorized parties.

Repairs or misuse by any unauthorized parties will void this warranty.

Warranty claims must be submitted – in writing - to the factory for verification or to an authorized distributor/dealer designated by **CARTONI**.

It is the end user's responsibility when ordering to ensure that the products ordered conform to his requirements.

All freight of product to **CARTONI** must be prepaid. All implied warranties are limited to the time period set forth herein & subject to change without notice.

No liability can be accepted for any variation.

11. ACCESSORIES & PRODUCT LINE

For the complete Accessories list & Product line please visit **CARTONI**'s official website

www.cartoni.com.

Every product has an updated list of compatible items sorted by groups, with descriptions and technical data.

12 ENVIRONMENTAL PROVISIONS

This product is manufactured with entirely recyclable materials.

It should be treated in accordance with European Union Waste of Electrical and Electronic Equipment (WEEE) Directive (2012/19/EU).

For disposal please refer to the provisions for waste collection enforced in your country.



CARTONI
PROFESSIONAL CAMERA SUPPORT

CARTONI S.p.A

Via di Portonaccio, 33/B - 00159 Rome (Italy)
Phone +39 06 4382002 - Fax +39 06 43588293

Email: cartoni@cartoni.com

www.cartoni.com