



Increases the possibilities of the NYX Bulb:

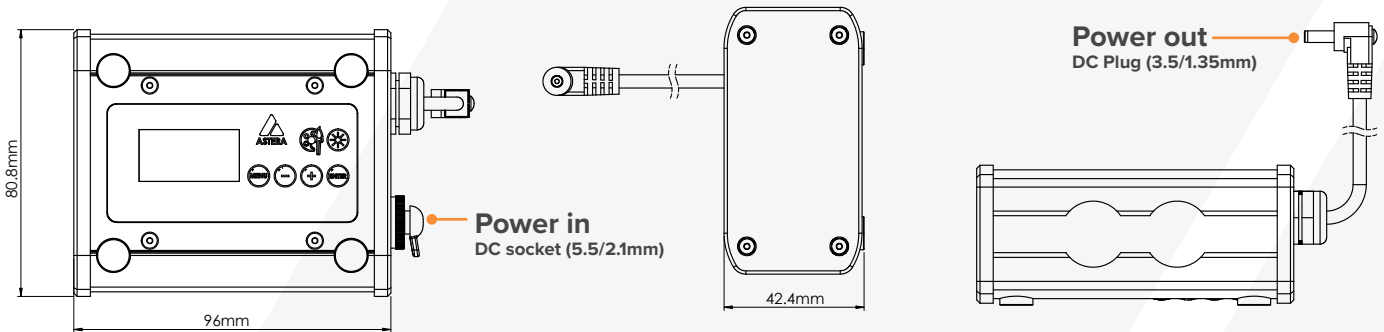
- Powers the bulb via integrated DC cable
- Acts as remote display to program the bulb
- Bulb can be attached to PowerStation via dummy lamp socket
- Helps to mount attached bulb via the integrated magnets or via mounting accessories which can be connected to the PowerStation's Airline Track at side or bottom

SPECIFICATIONS

Order Codes	FP5-PS
Power IN	24-48V
Power OUT	15V 0.7A
Battery	3350mAh/10.8V*
Charging time (nominal)	5h
Dimensions (mm / inch)	96 x 80.8 x 42.4 / 3.8 x 3.2 x 1.7
Weight (kg/lbs)	0.4 / 0.89

*equivalent to a high quality power bank with 10,000mAh

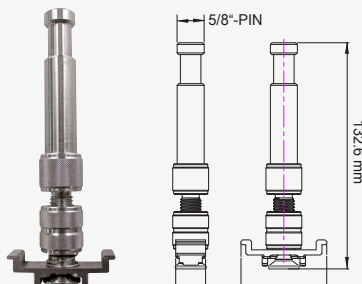
DRAWINGS



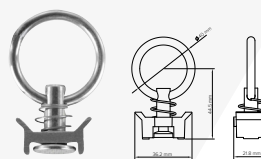
ACCESSORIES



Power Supply Unit
AX1-CHR



TrackPin
AX-TP



PowerStation Hanger
FP5-PSH



PowerStation Charging Case
FP5-PS-CHRCSE

included with each single FP5-PS



Lamp Socket
FP5-E27S

FUNCTIONS



Dummy Lamp socket for mounting on PowerStation

Airline tracks for more mounting options

4 Magnets for easy mounting

Remote your NYX Bulb. Easy access to DMX setup, colors and hue, saturation, intensity control



SET



Charge PowerStations directly in the case.

POWERSTATION SET

520 x 400 x 140 mm

20.5 x 15.7 x 5.5 inches

8,5 kg/18.7 lbs (full weight)

Order Codes: FP5-PS-SET-EU; -US; -UK; -CH; -AU

8x PowerStation

8x PowerStation Hanger 

8x TrackPin 8x Lamp Socket



1x DC SplitCable

1x PSU



8x Bridgecable



SETS - PROGRAMING

Program NYX Bulbs with the included PowerStation one by one.



Connect the 8 Powerstations with Bridge Cables to the 8 NYX Bulbs for setting them up all together.