

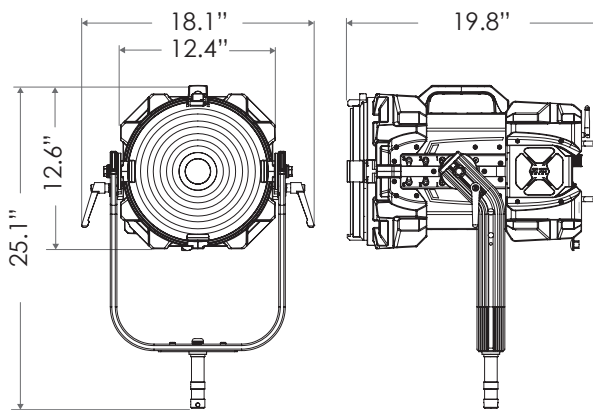
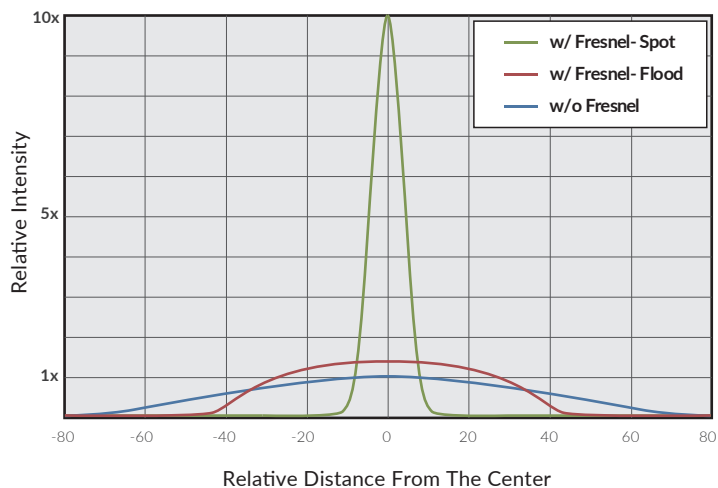
Fiilex Q10 is a 900W Color LED Fresnel with a 11° to 65° spot-to-flood range. This fixture is recognized by lighting designers as a "Modern Day 5K" and can replace old Tungstens on large productions. Each Q10 is calibrated precisely to the highest color standards and delivers the same uniform and consistent performance like all other Fiilex products.



FEATURES

- High-CRI white light output (2000-10000K)
- 8 and 16-bit color modes: CCTRGBW, CCTHSI, CIExy, etc.
- Unmatched spot/flood range of 11-65°
- Smooth and Sharp dimming modes
- Removable fresnel for wider throw / softbox compatibility
- DMX-controllable fan modes: Full, Variable, Silent, Off
- 8-leaf barndoor cuts clean with no color splitting
- Height adjustable yoke
- IP-X5 Rating (water resistant)
- Wireless control via integrated LumenRadio

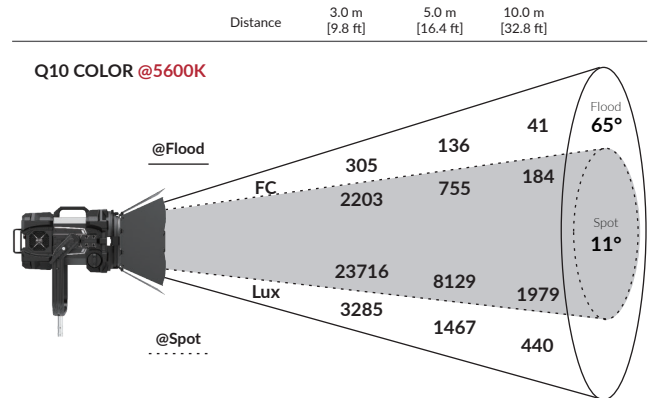
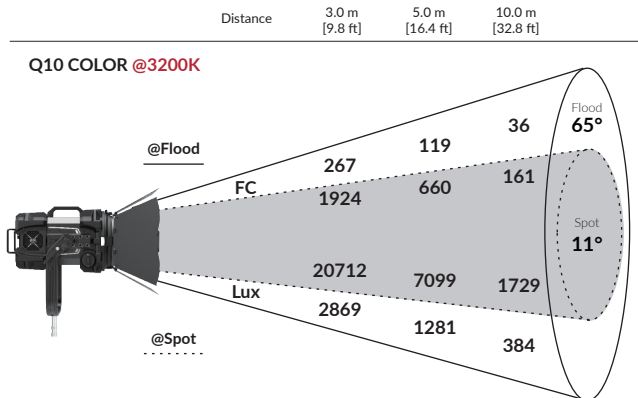
BEAM PROFILE



SPECIFICATIONS

Fresnel Size	10"
Beam Angle	11°-65° with Fresnel (78° without Fresnel)
CCT Range	2000-10000K continuous tuning + magenta/green shift
CRI / TLCI	95 / 90 typical
Control Modes	CCT, HSI, RGBW, Gels, Effects, CCTRGBW, CCTHSI, CIExy, ICTHS, and more
Dimming	100 - 0% flicker free
Dimming Modes	Smooth, Sharp
Light Engine	DiCon Dense Matrix LED
Power Consumption	900W max AC 850W max DC
BTUs/hour	3071 (BTUs/hour) max
DC Input	48V DC (via powerCON 32 A)
AC Input	100 - 240V AC, 50~60Hz (via powerCON TRUE1)
DMX / RDM Port	XLR-5
Wireless Control	Integrated LumenRadio
Ethernet	sACN, ArtNet (via etherCON)
USB Power Output	5V/1A (via USB-A)
Weight	44 lb / 20kg
Size (L x W x H)	19.8" x 18.1" x 25.1" / 50.2cm x 45.9cm x 63.6cm
Mount Type	Combo (baby stud female / junior stud male)
IP Rating	IP-X5 (water resistant)
Thermal Design	Aluminum extrusion cooling system w/ fan
Operating Temperature	32 - 104°F / 0 - 40° C

PHOTOMETRIC DATA



STANDARD PACKAGE



OPTIONAL ACCESSORIES

