



Leica CS10/CS15

Quick Guide



Version 1.0
English

- when it has to be **right**

Leica
Geosystems

1 Important Information about your Instrument



Read and follow the User Manual on the accompanying DVD before using the product.



Keep for future reference!

Intended use

- Remote control of product.
 - Data communication with external appliances.
-



The following advice is only valid for batteries, power adapter or docking station.



CAUTION

The product is not designed for use under wet and severe conditions. If unit becomes wet it may cause you to receive an electric shock.

Precautions:

Use the product only in dry environments, for example in buildings or vehicles. Protect the product against humidity. If the product becomes humid, it must not be used!





**Conformity
to national
regulations**

The product must not be disposed with household waste.

For products which do not fall under R&TTE directive:



Hereby, Leica Geosystems AG, declares that the product/s is/are in compliance with the essential requirements and other relevant provisions of the applicable European Directives. The declaration of conformity can be consulted at <http://www.leica-geosystems.com/ce>.

Conformity to national regulations

- FCC Part 15 (applicable in US)
- Hereby, Leica Geosystems AG, declares that the product CS10, CS15 is in compliance with the essential requirements and other relevant provisions of Directive 1999/5/EC. The declaration of conformity can be consulted at <http://www.leica-geosystems.com/ce>.



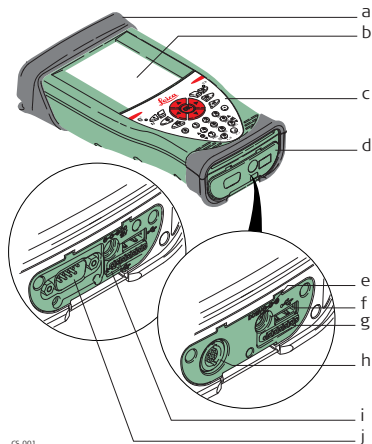
Class 2 equipment according European Directive 1999/5/EC (R&TTE) for which following EEA Member States apply restrictions on the placing on the market or on the putting into service or require authorisation for use:

- France
 - Italy
 - Norway (if used in the geographical area within a radius of 20km from the centre of Ny-Ålesund)
- The conformity for countries with other national regulations not covered by the FCC part 15 or European directive 1999/5/EC has to be approved prior to use and operation.
-

2

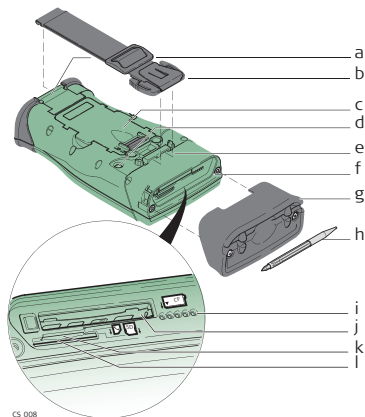
Instrument Components

Upside of CS10



- a) Slot Cover
- b) Screen
- c) Keyboard
- d) Port cover
- e) Power socket
- f) USB A Host port
- g) Docking station contacts
- h) LEMO port (USB and serial)
- i) USB Mini port
- j) DSUB9 port

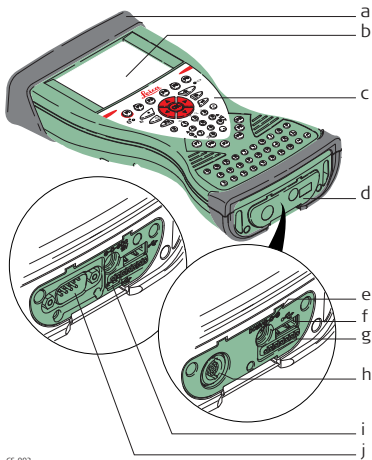
Underside of CS10



- a) Hand strap bottom clips
- b) Hand strap
- c) Battery compartment
- d) Digital camera
- e) Hand strap top clips
- f) Slots
- g) Slot cover
- h) Stylus
- i) GS05 contacts
- j) CompactFlash card slot
- k) SIM card slot
- l) SD card slot

CS_008

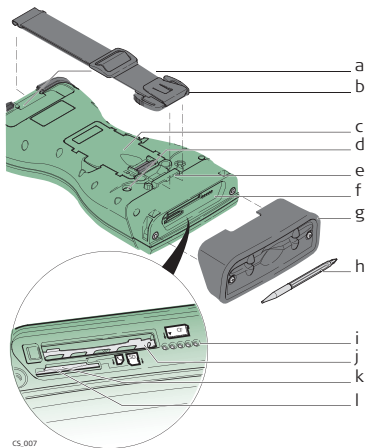
Upside of CS15



CS_002

- a) Slot cover
- b) Screen
- c) Keyboard
- d) Port cover
- e) Power socket
- f) USB A Host port
- g) Docking station contacts
- h) LEMO port (USB and serial)
- i) USB Mini port
- j) DSUB9 port

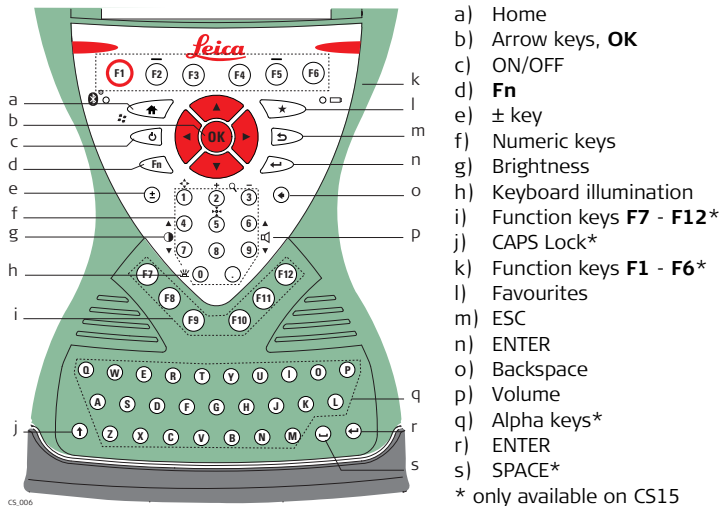
Underside of CS15



CS_007

- a) Hand strap bottom clips
- b) Hand strap
- c) Battery compartment
- d) Digital camera
- e) Hand strap top clips
- f) Slots
- g) Slot cover
- h) Stylus
- i) GS06 contacts
- j) CompactFlash card slot
- k) SIM card slot
- l) SD card slot

Keyboard



3

Technical Data

Environmental specifications

Temperature

Operating temperature [°C]	Storage temperature [°C]
-30 to +60	-40 to +80

Protection against water, dust and sand

IP67 (IEC 60529)

Humidity

Up to 100 %.

The effects of condensation are to be effectively counteracted by periodically drying out the instrument.

4

Care and Transport

Care and transport

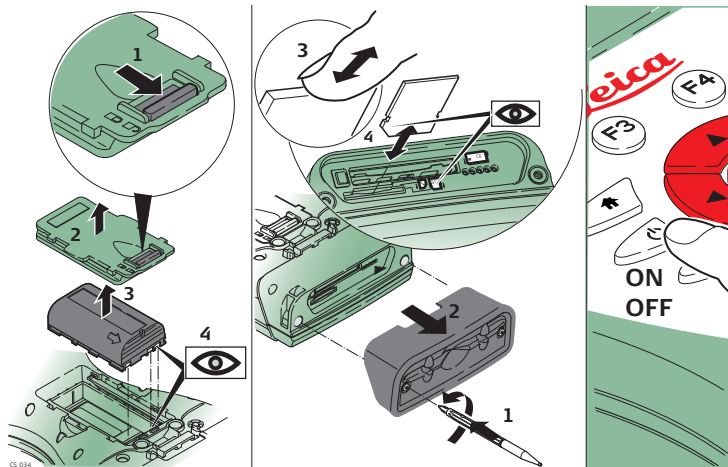
- Carry the product in its original container or carry the tripod with its legs splayed across your shoulder, to protect the product against shock and vibration.
 - Periodically carry out test measurements and perform the field adjustments indicated in the User Manual, particularly after the product has been dropped, stored for long periods or transported.
-

5 Operation



The battery must be charged before using it for the first time.

Turning on and off the instrument



Total Quality Management: Our commitment to total customer satisfaction.



Leica Geosystems AG, Heerbrugg, Switzerland, has been certified as being equipped with a quality system which meets the International Standards of Quality Management and Quality Systems (ISO standard 9001) and Environmental Management Systems (ISO standard 14001).

Ask your local Leica Geosystems dealer for more information about our TQM program.

Leica Geosystems AG

Heinrich-Wild-Strasse
CH-9435 Heerbrugg
Switzerland
Phone +41 71 727 31 31

www.leica-geosystems.com

- when it has to be **right**

Leica
Geosystems

793252-1.0.0en

Original text
Printed in Switzerland
© 2011 Leica Geosystems AG, Heerbrugg, Switzerland