



# Leica DNA03/DNA10 Quick Guide

Version 1.0  
English

- when it has to be **right**

*Leica*  
Geosystems

**1****Important Information about your Instrument**

---



Read and follow the User Manual on the accompanying DVD before using the product.

---



Intended use

Keep for future reference!

---

- Electronic and optical height and distance measurements to a staff.
  - Angle measurement with the horizontal circle.
  - Recording measurements.
  - Calculations using measuring programs.
- 



Conformity to national regulations

The product must not be disposed with household waste.

---

For products which do not fall under R&TTE directive:



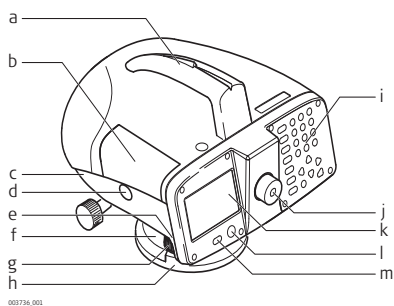
Hereby, Leica Geosystems AG, declares that the product/s is/are in compliance with the essential requirements and other relevant provisions of the applicable European Directives. The declaration of conformity can be consulted at <http://www.leica-geosystems.com/ce>.

---

## 2

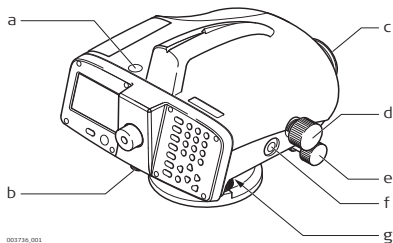
# Instrument Components

Instrument components  
part 1 of 2



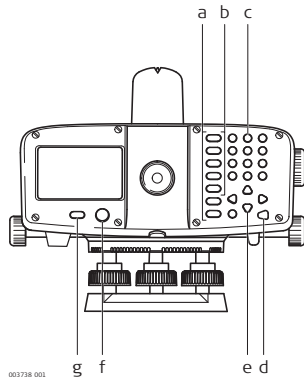
- a) Hand grip with aiming sight
- b) Card compartment cover
- c) Battery compartment
- d) Button to unlatch card compartment cover
- e) Lever to unlatch battery
- f) Horizontal circle
- g) Foot screws
- h) Base plate
- i) Keyboard
- j) Ocular
- k) Display
- l) Circular level
- m) On/off button

Instrument  
components  
part 2 of 2



- a) Light duct for circular level
- b) Plug stopper for crosshair adjustment knob
- c) Objective
- d) Focussing drive
- e) Endless horizontal drive (bi-directional)
- f) Measuring button
- g) RS232 serial interface with external power supply

## Keyboard Instrument



- a) Fixed keys
- b) Fixed keys 2nd level
- c) Entry keys
- d) Enter key
- e) Navigation keys
- f) Circular level
- g) On/off key

### 3

## Technical Data

---

Environmental specifications

Temperature

Operating temperature [°C]	Storage temperature [°C]
-20 to +50	-40 to +70

Protection against water, dust and sand  
IP53 (IEC 60529)

Humidity  
Up to 95 %.  
No condensation.

---

## 4

# Care and Transport

---

Care and transport

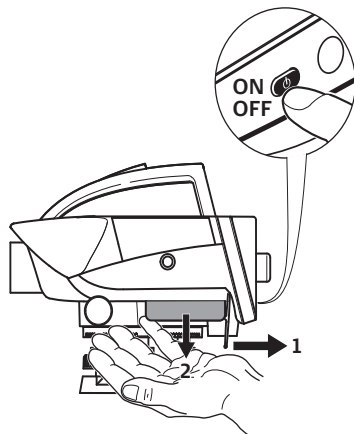
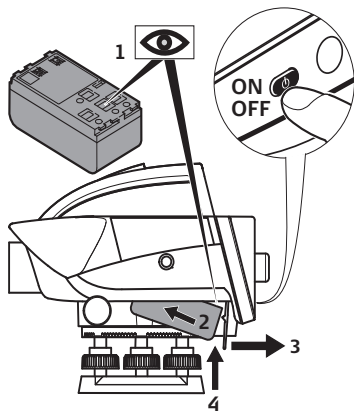
- Carry the product in its original container or carry the tripod with its legs splayed across your shoulder, to protect the product against shock and vibration.
-

## 5 Operation



Turning on and off  
the instrument

The battery must be charged before using it for the first time.







Total Quality Management: Our commitment to total customer satisfaction.



Leica Geosystems AG, Heerbrugg, Switzerland, has been certified as being equipped with a quality system which meets the International Standards of Quality Management and Quality Systems (ISO standard 9001) and Environmental Management Systems (ISO standard 14001).

Ask your local Leica Geosystems dealer for more information about our TQM program.

Leica Geosystems AG  
Heinrich-Wild-Strasse  
CH-9435 Heerbrugg  
Switzerland  
Phone +41 71 727 31 31  
[www.leica-geosystems.com](http://www.leica-geosystems.com)

- when it has to be **right**

**Leica**  
**Geosystems**

796093-1.0.0en

Original text  
Printed in Switzerland  
© 2012 Leica Geosystems AG, Heerbrugg, Switzerland