



# Leica Rugby 810 Quick Start

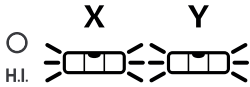
Version 1.0

- when it has to be **right**

*Leica*  
Geosystems



0/1



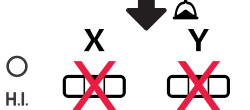
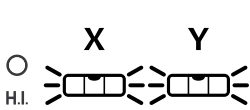
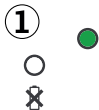
### H.I. ALERT



+ 5 Hz =



0/1 5 s



### Battery (Li-Ion)



1 Hz = ≤ 10%



5 Hz = ≤ 5%



### Battery (Alkaline)



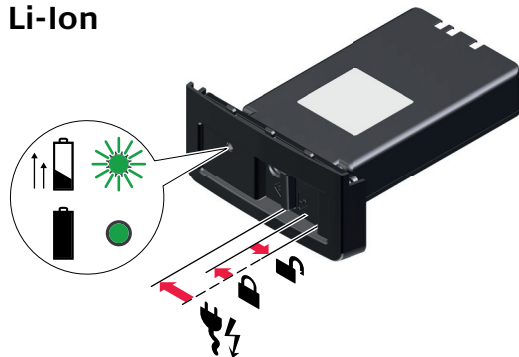
1 Hz =



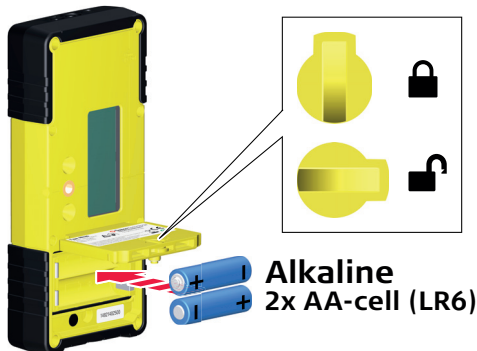
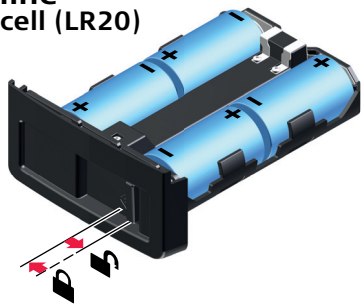
5 Hz =



**Li-Ion**



**Alkaline**  
4x D-cell (LR20)



# Rod Eye 140, Classic



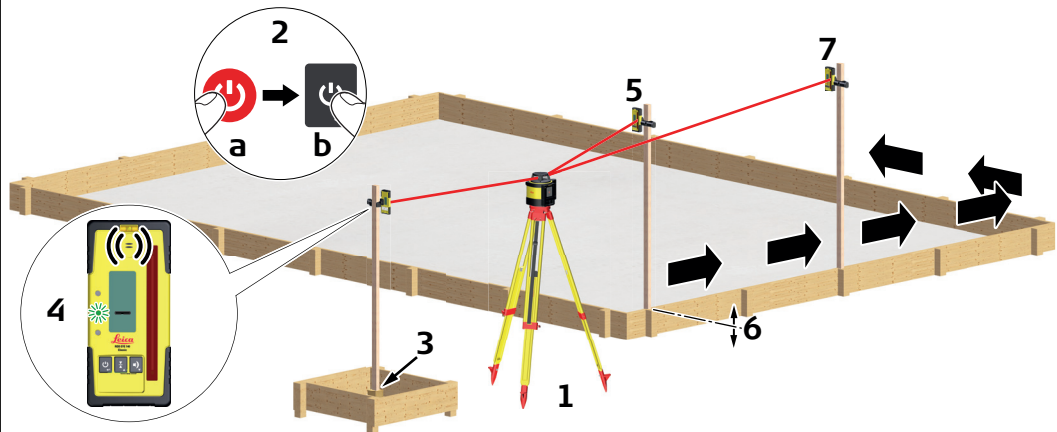
0/1



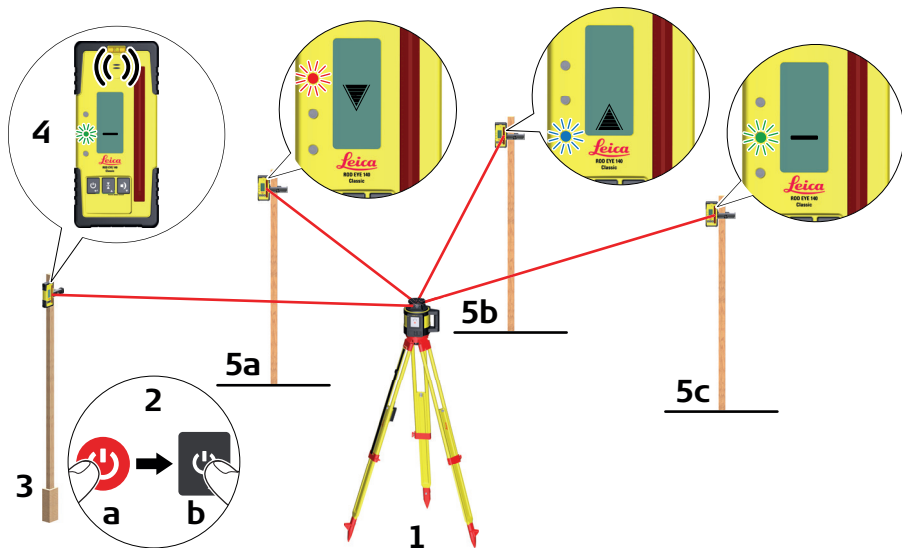
$\pm 1$  mm,  $\pm 2$  mm,  $\pm 3$  mm



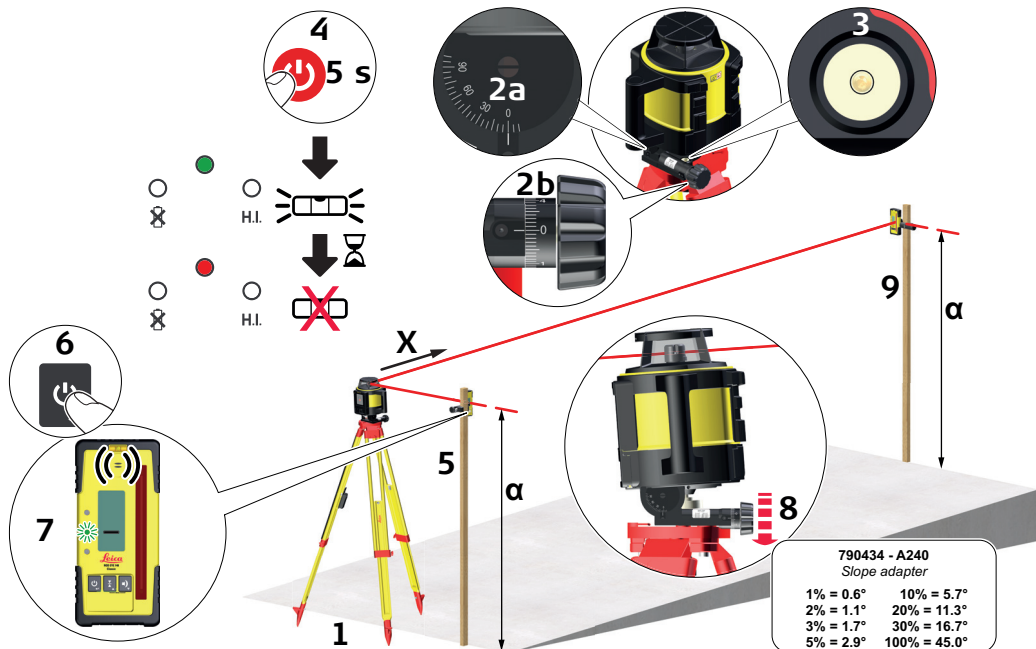
## Setting Forms



## Checking Grades



# Manual Grading





Laser class 2 product in  
accordance with  
IEC 60825-1

**Leica Geosystems AG**

Heinrich-Wild-Strasse  
CH-9435 Heerbrugg  
Switzerland  
Phone +41 71 727 31 31

[www.leica-geosystems.com](http://www.leica-geosystems.com)

- when it has to be **right**

**Leica**  
*Geosystems*

**808125-1.0.0**

Original text  
© 2013 Leica Geosystems AG, Heerbrugg, Switzerland